



Stevens I.D. SYSTEMS™
800.350.3270
www.IDSystemsStorage.com



84130/84140/84142 INSTRUCTOR ISLANDS

STEP-BY-STEP INSTALLATION

ATTENTION

Please unpack and assemble in an area away from children's activities. Remove all tools and excess materials from work area after assembly of unit is complete. Dispose of pallet and packaging materials in an environmentally friendly manner. If any parts are missing or damaged, please call Stevens for immediate parts replacement (1-800-350-3270). When ordering parts, please call Stevens for immediate parts replacement (1-800-350-3270). When ordering parts, give the Model Number and Color of the unit.

NOTE:

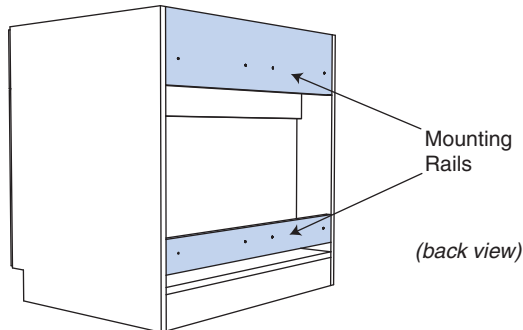
Pulls are preinstalled on the inside of fronts and must be reinstalled on the outside. However, they are shown in their final mounting position on installation drawings.

I.D.SYSTEMS Science Instructor Islands are made up of individual Base Cabinets and Countertop with Sink and Fixtures. Base cabinets are joined together through their end panels to ensure a professional appearance.

General assembly instructions are provided. Some steps may not be applicable to your specific configuration. Illustrations are general in nature and do not depict components and details unrelated to the assembly process.

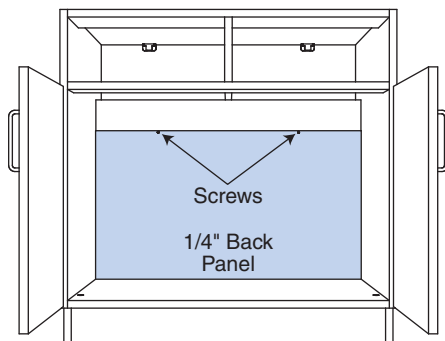
STEP-BY-STEP INSTALLATION

- 1** Note that there are two (2) Mounting Rails on back side of Base Cabinets.

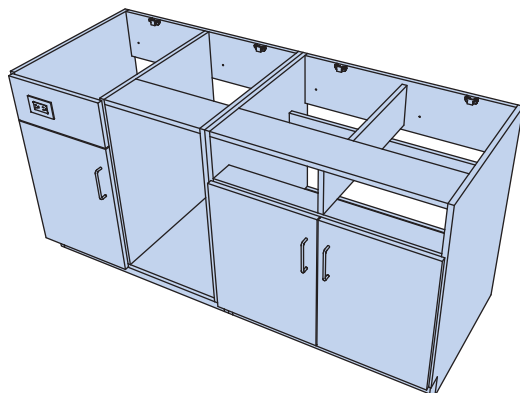


- 2** Remove shelves and at least top and bottom drawers from Base Cabinets, to provide access during later steps. Be sure to note their location, as they must go back in same location when installation is complete.

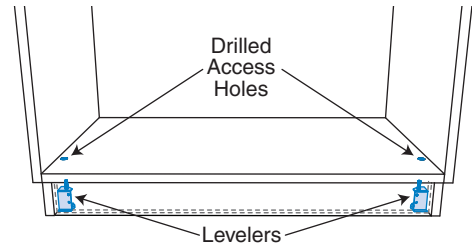
- 3** If present, remove 1/4" Back Panel from Base Cabinets. To remove Panel, remove two (2) screws at top of Panel, then slide Panel over to one side to allow removal from side and bottom grooves. This Panel will be reinstalled later.



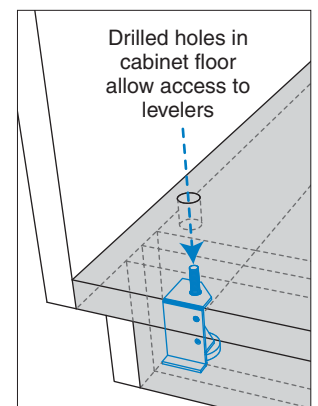
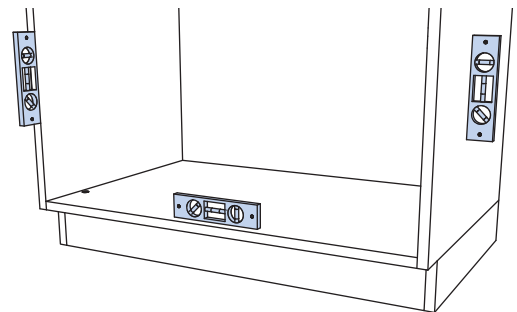
- 4** Position Base Cabinets side-by-side in desired location.



- 5** Note that there are two (2) front corner Levelers located behind each Base Cabinet toe kick and accessible through drilled access holes in cabinet floor. Remove plastic plugs from access holes in order to perform leveling adjustments in next step.



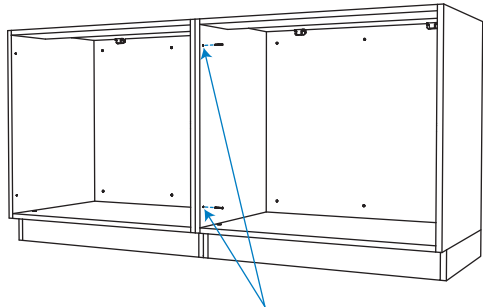
- 6** Using a level, adjust Levelers until sidewall, front edge and cabinet floor are plumb. Insert a 4mm hex wrench through access holes in cabinet floor to make adjustments. Shim as necessary. Once adjustments are complete, reinstall plastic plugs into access holes.



NOTE:
Turn clockwise to lift,
counterclockwise to lower.

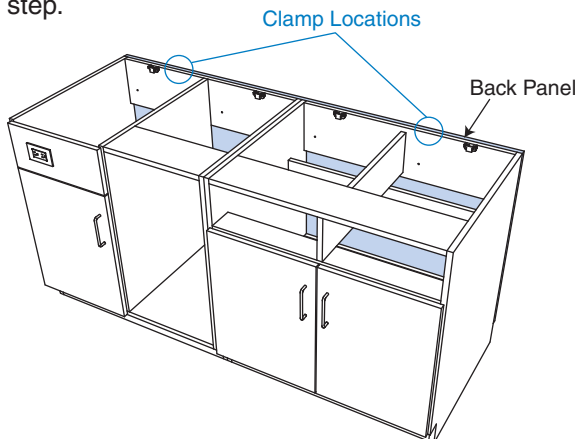
STEP-BY-STEP INSTALLATION

- 7** Align Base Cabinet bottoms and front vertical edges. Use 1 1/4" Screws through predrilled holes in end panels to join the cabinets together. *(Hint: Use clamps to hold cabinets together during this process.)*



Predrilled Location Holes

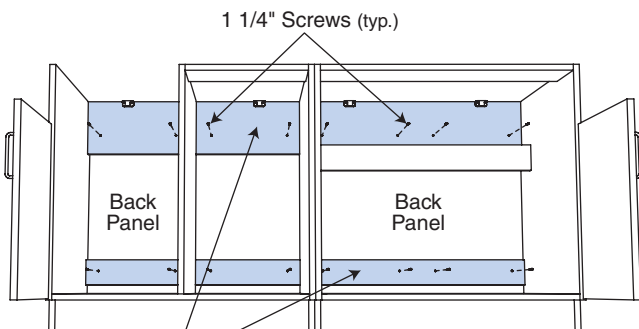
- 8** Align top and outside edges of Back Panel with top and outside edges of Base Cabinet Assembly. Clamp Back Panel to Base Cabinet Upper Mounting Rails to hold securely in place for next step.



Clamp Locations

Back Panel

- 9** Open Base Cabinet doors. Note that there are four (4) predrilled holes in each Base Cabinet Mounting Rail. Use sixteen (16) 1 1/4" Screws through these holes to attach Base Cabinets to Back Panel. Remove Clamps. *(Note: Some components removed for illustrative purposes.)*



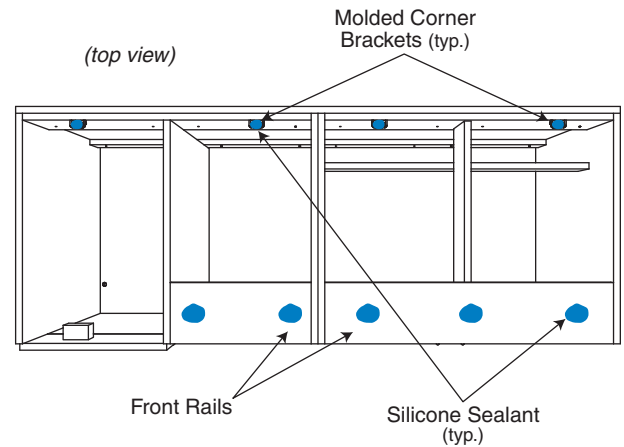
1 1/4" Screws (typ.)

Back Panel

Back Panel

Base Cabinet Mounting Rails (typ.)

- 10** Apply silicone sealant to Base Cabinet Front Rails and Molded Corner Brackets, as illustrated below.



(top view)

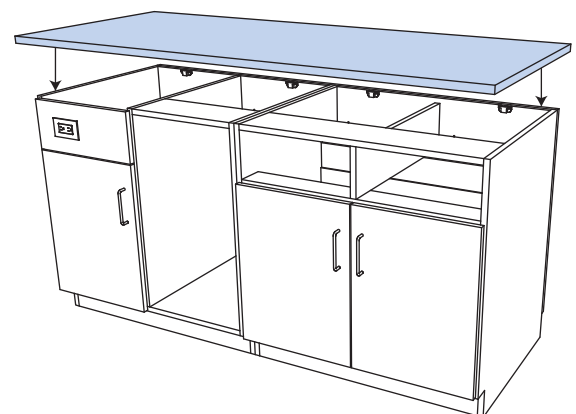
Molded Corner Brackets (typ.)

Front Rails

Silicone Sealant (typ.)

CAUTION!
Countertops are quite heavy.
Please use caution when handling.
Do not attempt to handle without additional assistance.

- 11** Place Countertop on top of Instructor Island Assembly, centering it side-to-side and overhanging the Back Panel by 1/2". There should be approximately 3/4" overhang on sides and 2" overhang at the front. Clamp Countertop down to Base Cabinet Front Rails, if required, until sealant is set.



Approx. 2" Front Overhang

(end view)

Approx. 1/2" Back Overhang



STEP-BY-STEP INSTALLATION

- 12** If not pre-mounted, install drop-in Epoxy Sink with Clear Silicone Sealant. Install Hot/Cold Gooseneck Faucet and Gas Valve, using Sealant under fixtures to seal against leakages.

NOTE:

Utility hookups for Faucets, Drains and Gas Valve assemblies to be performed by licensed plumber in accordance with all applicable codes.

Allow sealant to set at least overnight before proceeding with utility hookups.

- 13** Replace shelves and drawers in Base Cabinets, making sure to return them to their original locations. Reinstall 1/4" Back Panels by reversing procedure in Step #3.

- 14** Finish Base Cabinet Toe Kick fascia and Toe Kick on back side of Instructor Island Assembly using 4" vinyl base molding application. I.D.SYSTEMS™ base molding (provided) has a self-adhesive backing. After removing protective cover strip, take care to properly position vinyl base before applying pressure for permanent adhesion.

This completes the installation.