



Stevens I.D. SYSTEMS®  
800.350.3270  
www.IDSystemsStorage.com

## 84132/84134/84136 SPACE SAVER INSTRUCTOR ISLANDS



### STEP-BY-STEP INSTALLATION

#### ATTENTION

Please unpack and assemble in an area away from children's activities. Remove all tools and excess materials from work area after assembly of unit is complete. Dispose of pallet and packaging materials in an environmentally friendly manner. If any parts are missing or damaged, please call Stevens for immediate parts replacement (1-800-350-3270). When ordering parts, give the Model Number and Color of the unit.

#### NOTE:

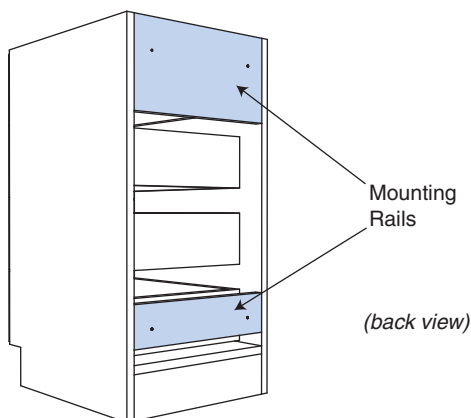
*Pulls are preinstalled on the inside of fronts and must be reinstalled on the outside. However, they are shown in their final mounting position on installation drawings.*

#### IMPORTANT!

Illustrations are general in nature and do not depict components and details unrelated to the assembly process.

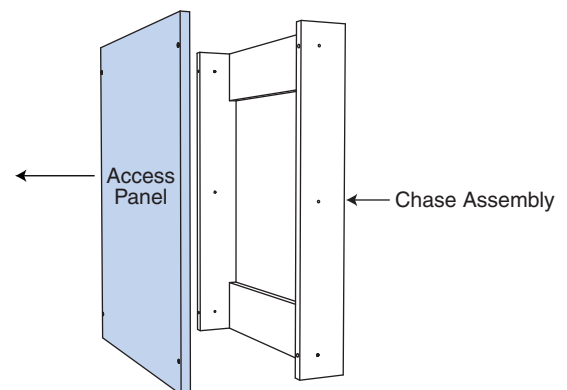
For the 84132 island, a singular end panel replaces the right base cabinet shown in the illustrations. This end panel attaches to the apron and chase assemblies in the same manner as the base cabinet end panel.

- 1 Note that there are two (2) Mounting Rails on back side of Base Cabinets.



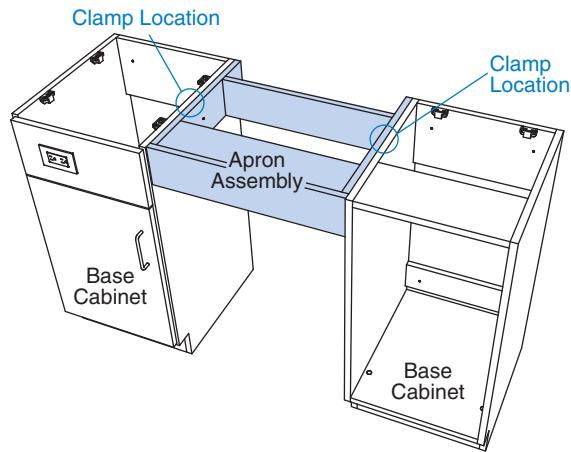
- 2 Remove at least top and bottom drawers from 4-Drawer Base Cabinet, to provide access during later steps. Be sure to note their location, as they must go back in same location when installation is complete.

- 3 Remove Access Panel from front of pre-assembled Chase Assembly to provide access during later steps.

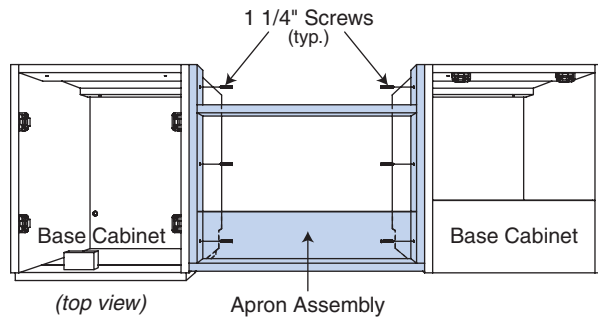


## STEP-BY-STEP INSTALLATION

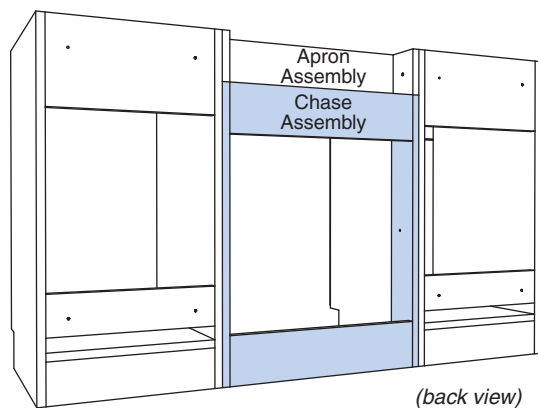
- 4** Position Base Cabinets close to desired final location and approximately 23" apart. Position pre-assembled Apron Assembly between Base Cabinets, with top and back edges aligned. Adjust positioning of Base Cabinets as necessary. Clamp Apron Assembly to Base Cabinets to hold securely in place for next step.



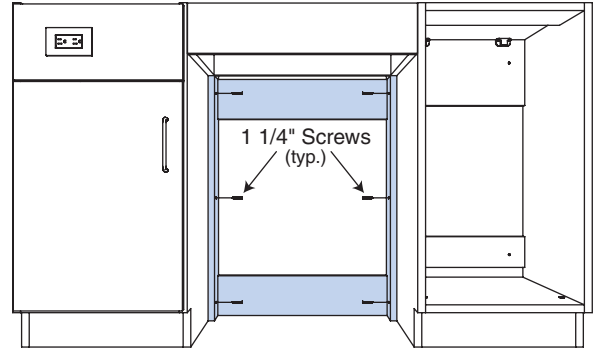
- 5** Attach Apron Assembly to Base Cabinets, using six (6) 1 1/4" Screws through predrilled holes in Apron Assembly.



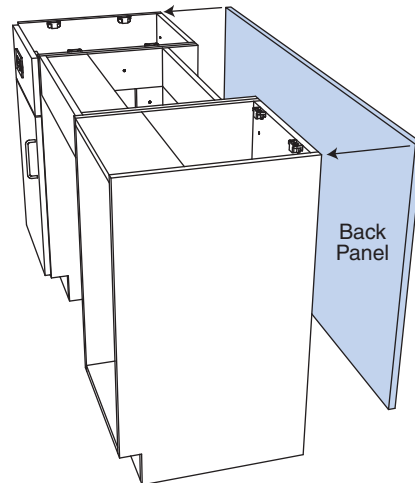
- 6** Position Chase Assembly directly below Apron Assembly, with back edges aligned.



- 7** Attach Chase Assembly to Base Cabinets, using six (6) 1 1/4" Screws through predrilled holes in Chase Assembly.

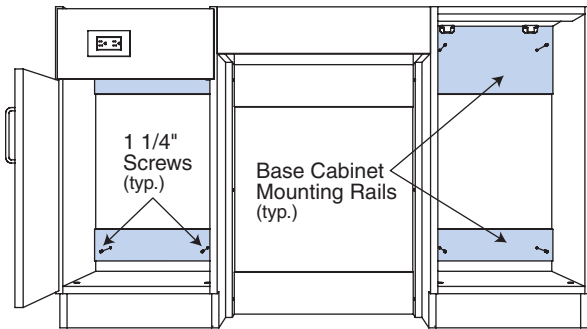


- 8** Position Back Panel against back of Assembly, aligning top edges and top outside corners. Clamp Back Panel to Base Cabinets to hold securely in place for next step.

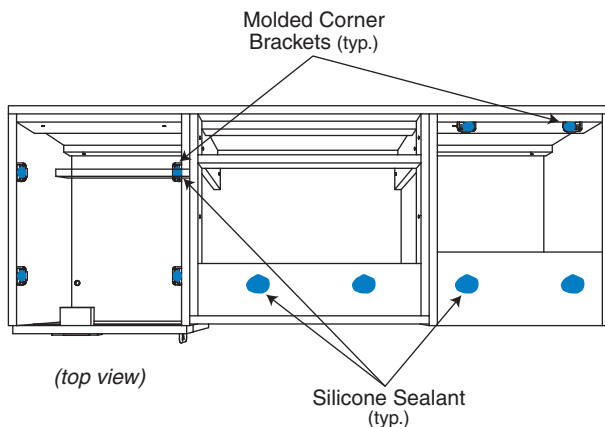


## STEP-BY-STEP INSTALLATION

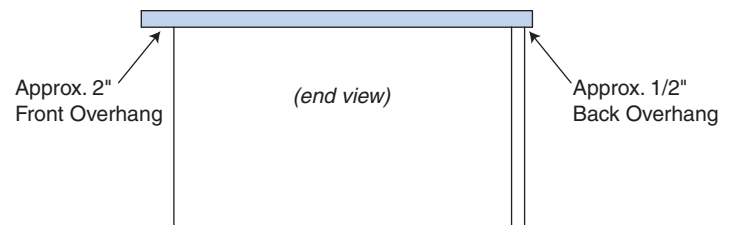
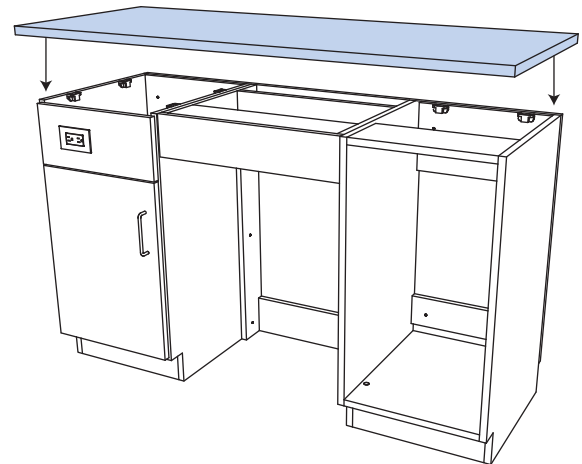
- 9** Open Sink Base Cabinet door. Note that there are two (2) predrilled holes in each Base Cabinet Mounting Rail. *(Note: Holes in upper rail of Sink Base Cabinet not visible in illustration.)* Use eight (8) 1 1/4" Screws through these holes to attach Base Cabinets to Back Panel. Remove Clamps.



- 10** Apply silicone sealant to Base Cabinets, Apron Assembly and Molded Corner Brackets, as illustrated below.

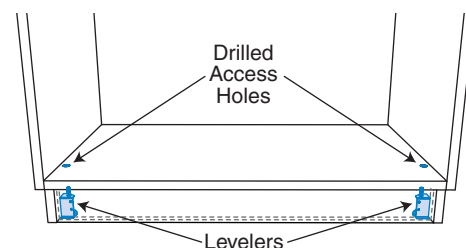


- 11** Place Countertop on top of Island Assembly, centering it side-to-side and overhanging the Back Panel by 1/2". There should be approximately 3/4" overhang on sides and 2" overhang at front of end panels. Clamp Countertop down to Base Cabinets, if required, until sealant is set.



- 12** Position Island Assembly in desired location.

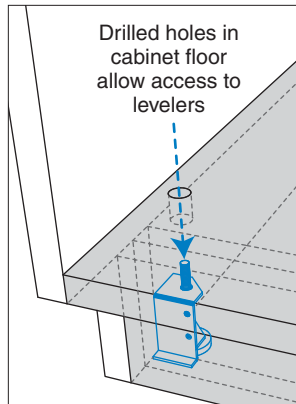
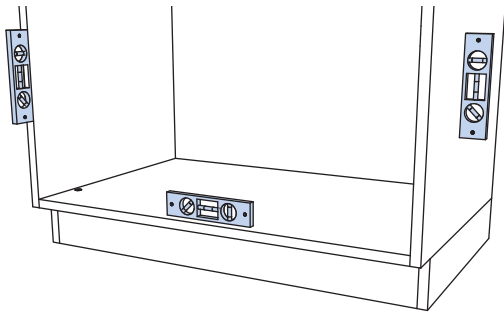
- 13** Note that there are two (2) front corner Levelers located behind each Base Cabinet toe kick and accessible through drilled access holes in cabinet floor. Remove plastic plugs from access holes in order to perform leveling adjustments in next step.



**CAUTION!**  
Countertops are quite heavy.  
Please use caution when handling.  
Do not attempt to handle without additional assistance.

## STEP-BY-STEP INSTALLATION

- 14** Using a level, adjust Levelers until sidewall, front edge and cabinet floor are plumb. Insert a 4mm hex wrench through access holes in cabinet floor to make adjustments. Shim as necessary. Once adjustments are complete, reinstall plastic plugs into access holes.



**NOTE:**  
*Turn clockwise to lift,  
counterclockwise to lower.*

- 15** Replace drawers in Base Cabinet, making sure to return them to their original locations.
- 16** If not pre-mounted, install drop-in Epoxy Sink with Clear Silicone Sealant. Install Faucet and Gas Valve, using silicone sealant under fixtures to seal against leakages. Install two (2) Burette Sockets into pre-drilled holes.

Allow sealant to set at least overnight before proceeding with utility hookups.

**NOTE:**  
*Utility hookups for cold water gooseneck Faucets, Drains and Gas Valve assemblies to be performed by licensed plumber in accordance with all applicable codes.*

- 17** Reinstall Access Panel on Chase Assembly after completion of hookups.

- 18** Finish each Base Cabinet Toe Kick fascia and Toe Kick on back side of Island Assembly using 4" vinyl base molding application. I.D.SYSTEMS™ base molding (provided) has a self-adhesive backing. After removing protective cover strip, take care to properly position vinyl base before applying pressure for permanent adhesion.

**This completes the installation.**