



Stevens I.D. SYSTEMS®
 800.350.3270
 www.IDSystemsStorage.com

84120/84122/84124 SCIENCE CLASSROOM TABLES



STEP-BY-STEP INSTALLATION

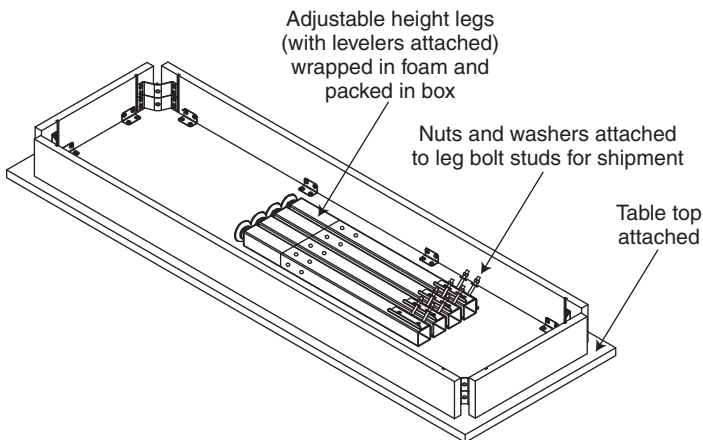
ATTENTION

Please unpack and assemble in an area away from children's activities. Remove all tools and excess materials from work area after assembly of unit is complete. Dispose of pallet and packaging materials in an environmentally friendly manner. If any parts are missing or damaged, please call Stevens for immediate parts replacement (1-800-350-3270). When ordering parts, give the Model Number and Color of the unit.

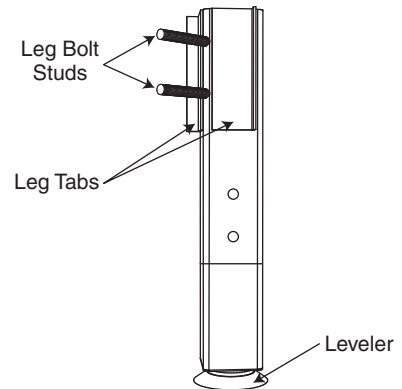
CAUTION!

Tables can be quite heavy.
 Please use caution when handling.
 Do not attempt to handle without additional assistance.

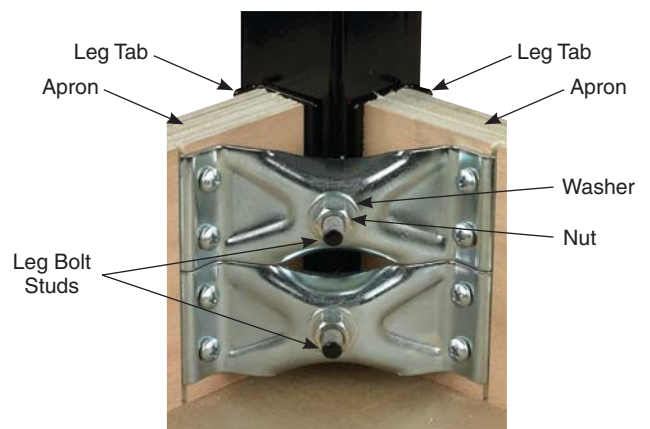
- 1 Table is packaged with steel legs underneath the table top, as illustrated below.



- 2 Table legs are powder coated steel tube construction, with levelers attached.

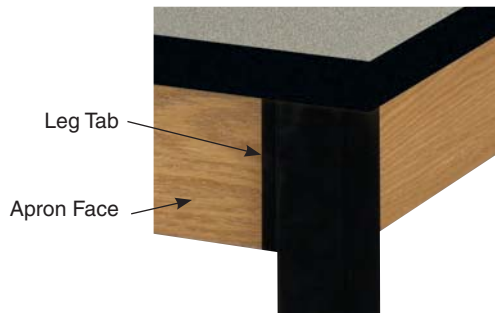


- 3 With table upside down, attach each leg into the table top corners, using washers and nuts on leg bolt studs. Tighten until leg is firmly mounted.



STEP-BY-STEP INSTALLATION

- ④ Legs should be mounted with leg tabs exposed against the apron face.



- ⑤ To adjust the leg height, simply slide the tube to align the two (2) holes in the tube with the two (2) holes in outer leg. Insert (2) ¼-20 machine screws. There are eight (8) total screws (two in each leg).

- ⑥ Using caution and additional assistance, flip table over and adjust levelers to prevent rocking.