



Stevens I.D. SYSTEMS™
800.350.3270
www.IDSystemsStorage.com

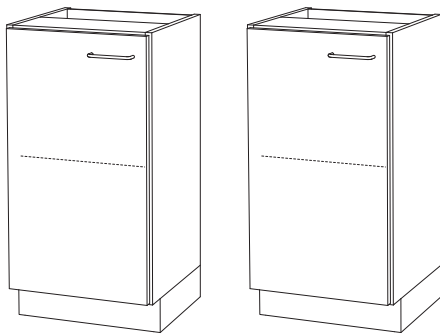


84070/84072

4-STUDENT OCTAGON ISLAND TABLES

Typical 2-Person Crew Required

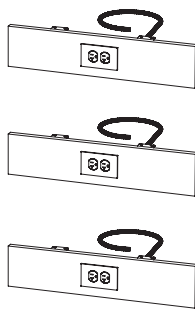
PARTS INCLUDED



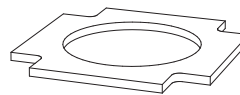
(2) LH Door Cabinets
(referred to as Cabinets 1 & 2)

NOTE:

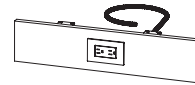
Equipped with removable back for future access to connections after unit is installed.



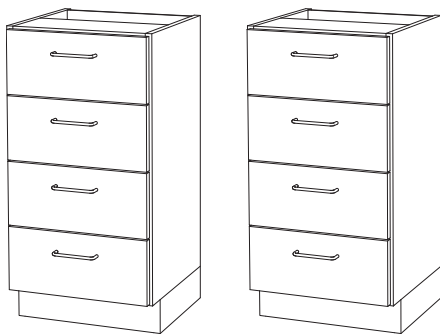
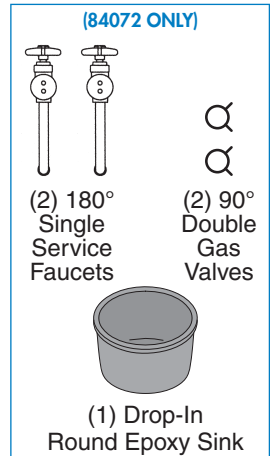
(3) Apron Panels
with Duplex Receptacle,
Flexible Electrical Conduit &
Mounting Brackets Attached



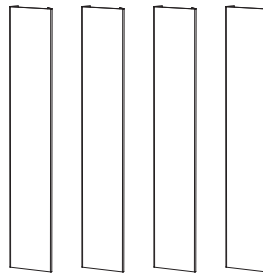
(1) Floor Template



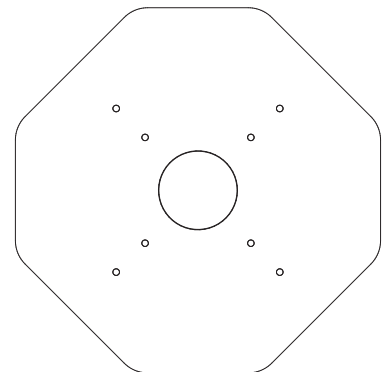
(1) Apron Panel
with GFI Receptacle,
Flexible Electrical Conduit &
Mounting Brackets Attached



(2) 4-Drawer Cabinets
(referred to as Cabinets 3 & 4)

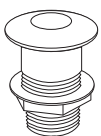


(4) Corner Fillers
with Mounting Brackets
Attached

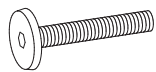


(1) Octagon Top
(84072 top includes Predrilled Burette
Socket Holes and Sink/Fixture Cutouts)

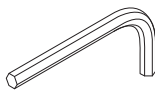
HARDWARE INCLUDED



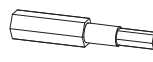
(4) 3/4" Surface
Mount Burette
Sockets
(84072 ONLY)



(32) 1/4-20 Hex
Drive Fasteners



(1) Hex Key



(1) Driver Key
for use with
power driver



(16) #8 x 5/8 Pan Head
Sheet Metal Screws

Not shown:

(1) Tube Clear
Silicone Sealant

STEP-BY-STEP INSTALLATION

ATTENTION

Please unpack and assemble in an area away from children's activities. Remove all tools and excess materials from work area after assembly of unit is complete. Dispose of pallet and packaging materials in an environmentally friendly manner. If any parts are missing or damaged, please call Stevens for immediate parts replacement (1-800-350-3270). When ordering parts, give the Model Number and Color of the unit.

NOTE:

Pulls are preinstalled on the inside of fronts and must be reinstalled on the outside. However, they are shown in their final mounting position on installation drawings.

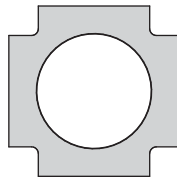
NOTE:

*84070 requires 110V single phase electrical utilities in floor access location.
84072 requires cold water, drainage, 110V single phase electrical and gas utilities in floor access location.*

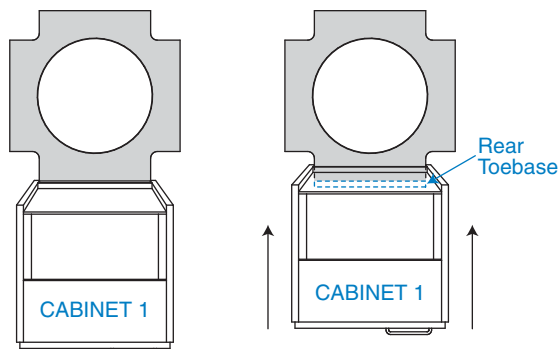
- 1 Mount Floor Template to floor in the orientation and location desired for the final assembled unit. Attach Template to floor structure with appropriate floor anchorage.

NOTE:

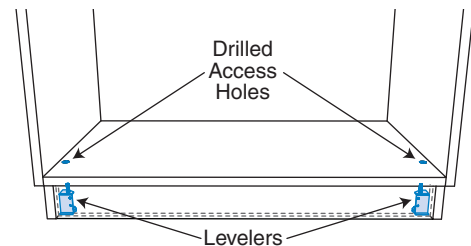
The Template wings represent the location of the (4) Cabinets. All (4) Cabinets are the same size. The circular cutout (17" dia.) is where the utilities will be brought to the unit from beneath the floor.



- 2 Align Cabinet 1 with Template wing, pushing Cabinet towards the center of the Template until wing contacts rear Cabinet Toebase.

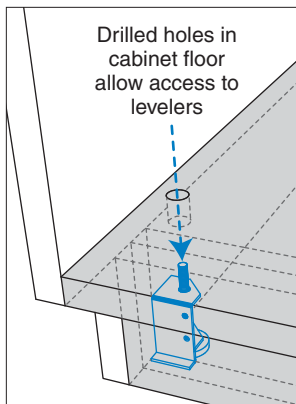
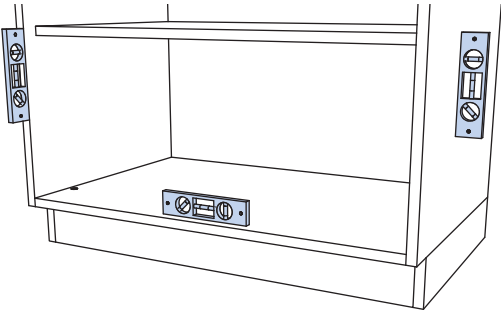


- 3 Note that each Cabinet has two (2) front corner Levelers located behind the toe kick and accessible through drilled access holes in the cabinet floor. Remove the plastic plugs from the access holes in order to perform the leveling adjustments in the next step.



STEP-BY-STEP INSTALLATION

- 4** Using a level, adjust the Levelers for Cabinet 1 until the sidewall, front edge and cabinet floor are plumb. Insert a 4mm hex wrench through the access holes in the cabinet floor to make the adjustments. Shim as necessary to accommodate irregular wall conditions. Once the adjustments are complete, reinstall the plastic plugs into the access holes.



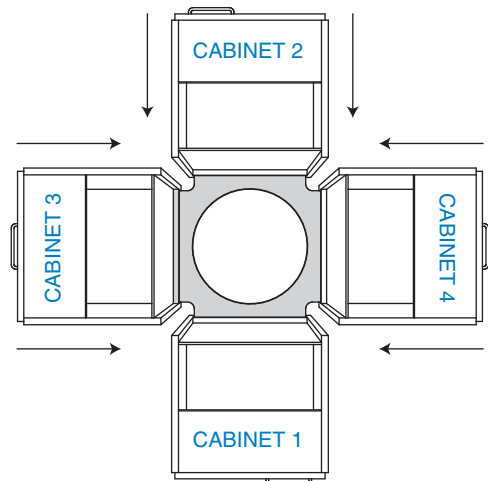
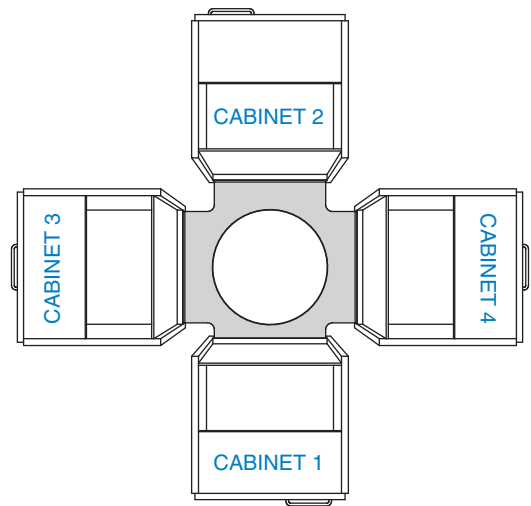
NOTE:
Turn clockwise to lift,
counterclockwise to lower.

- 5** Repeat Steps #2 - #4 for Cabinets 2, 3 and 4.

NOTE:

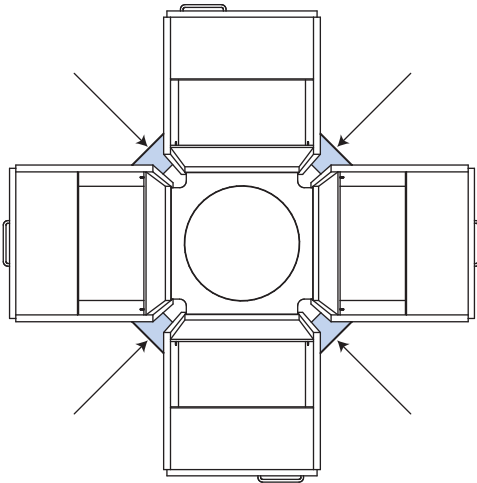
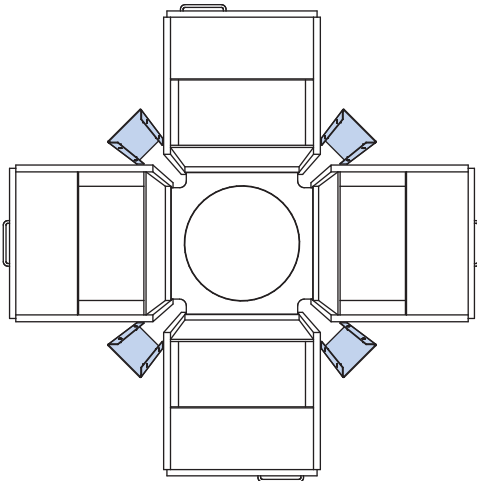
It is intended for Cabinets 1 and 2 to be opposite each other and for Cabinets 3 and 4 to be opposite each other.

If desired, the removable backs on the Door Cabinets may be removed at this time to provide access for electrical and plumbing hookups in later steps.



STEP-BY-STEP INSTALLATION

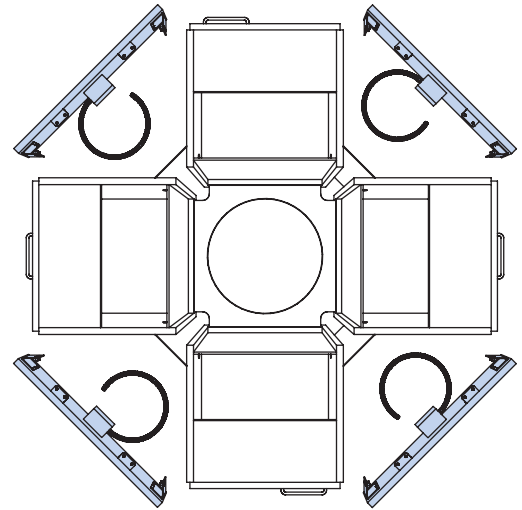
- 6** Install the (4) Corner Fillers to connect the rear corners of adjacent Cabinets, using 1/4-20 Hex Drive Fasteners. (Hex Key and Drive Key provided.) (4) Fasteners required for each Corner Filler.



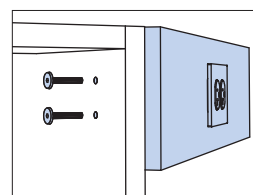
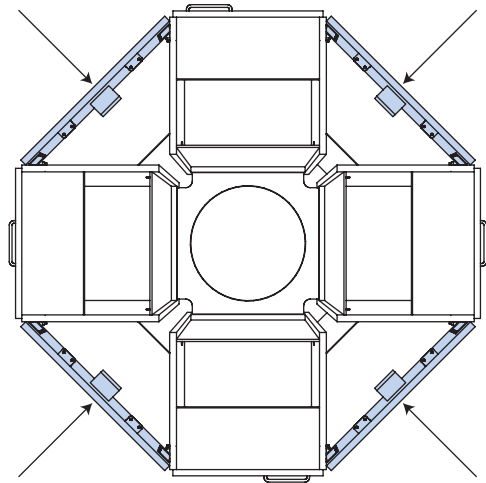
- 7** Attach the (4) Apron Panels to connect the front corners of adjacent Cabinets, using 1/4-20 Hex Drive Fasteners. (4) Fasteners required for each Apron Panel.

NOTE:

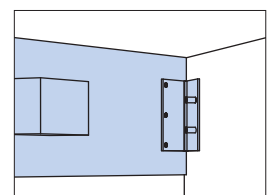
- (1) Apron Panel has a GFI Receptacle and
(3) Apron Panels have a Duplex Receptacle.



NOTE:
Conduit
not
shown in
illustration.



Front View

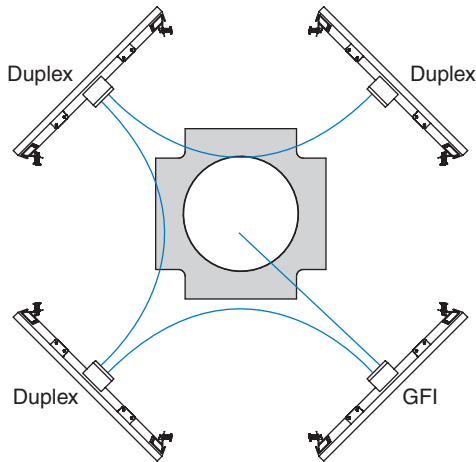


Back View

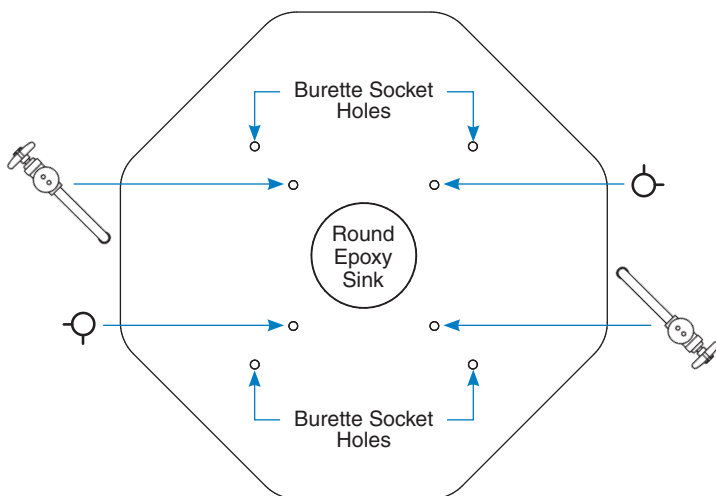
STEP-BY-STEP INSTALLATION

- 8** Electrical connections within the unit itself and to building utilities to be performed by licensed electrician in accordance with all applicable codes.

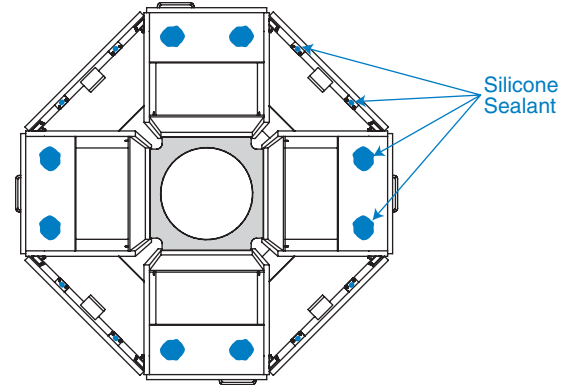
NOTE TO ELECTRICIAN:
 15amp, 110V Single Phase Power to be supplied to GFI, then wired appropriately to each successive receptacle so that the GFI will protect the entire circuit of all (4) outlets.



- 9** **FOR 84072 ONLY:** Install (4) Burette Sockets into predrilled holes in the Octagon Top. Install Sink with Clear Silicone Sealant. Mount fixtures to top.

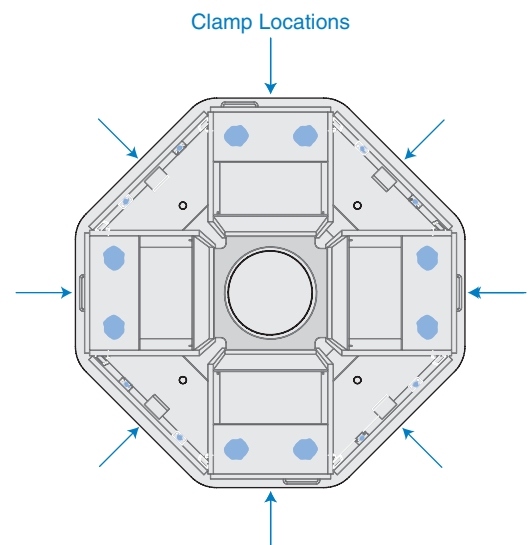


- 10** Apply Clear Silicone Sealant to top surface of Apron Panel brackets and horizontal rails of the (4) Cabinets.



- 11** Position Octagon Top over unit assembly, with an approximate overhang of 38mm (1-1/2") from the Apron Panel faces. Clamp Top snugly to Apron Panels and Cabinets until sealant is set.

NOTE:
 Supplied #8 x 5/8" Pan Head Sheet Metal Screws may be used to attach Apron Panel brackets to Octagon Top (laminated or phenolic type), if deemed necessary.



FOR 84072 TABLE:
 Allow sealant to set at least overnight before proceeding with utility hookups.



84070/84072 4-STUDENT OCTAGON ISLAND TABLES

STEP-BY-STEP INSTALLATION

- 12** **FOR 84072 ONLY:** Utility hookups for gas, vacuum, cold water and waste to be performed by licensed plumber in accordance with all applicable codes.

NOTE TO PLUMBER:

Door cabinets are equipped with removable back for access to connections.

- 13** Reinstall removable backs on the Door Cabinets after completion of hookups.

- 14** Cabinets are provided with an unfinished toe kick fascia in anticipation of 4" vinyl base application by flooring contractor, matching room décor.

NOTE:

If vinyl base was purchased from I.D.SYSTEMS™, it has a self-adhesive backing. After removing the protective cover strip, take care to properly position the vinyl base before applying pressure for permanent adhesion.