



Stevens I.D. SYSTEMS™
800.350.3270
www.IDSystemsStorage.com



84020



84022

84020/84022 4-STUDENT TABLES

STEP-BY-STEP INSTALLATION

ATTENTION

Please unpack and assemble in an area away from children's activities. Remove all tools and excess materials from work area after assembly of unit is complete. Dispose of pallet and packaging materials in an environmentally friendly manner. If any parts are missing or damaged, please call Stevens for immediate parts replacement (1-800-350-3270). When ordering parts, give the Model Number and Color of the unit.

NOTE:

Pulls are preinstalled on the inside of fronts and must be reinstalled on the outside. However, they are shown in their final mounting position on installation drawings.

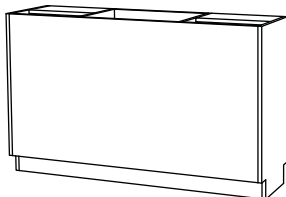
NOTE:

84020 requires 110V single phase electrical utilities in floor access location.
84022 requires cold water, drainage, 110V single phase electrical and gas utilities in floor access location.

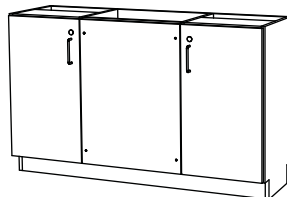
- 1** Position Base Cabinet in desired location.

NOTE:

For these instructions, the side with door fronts will be referred to as the "back"; the side with the full overlay panel will be referred to as the "front."

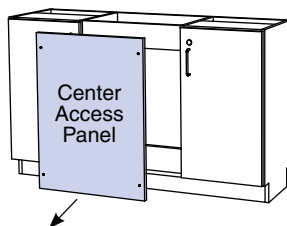


(front view)

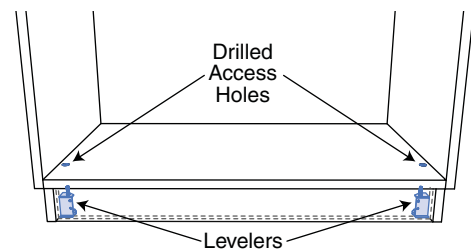


(back view)

- 2** Remove Center Access Panel on back side of Base Cabinet to allow access for utility hookups in later steps.



- 3** Note that there are two (2) corner Levelers located behind the toe kick on the back side of the Base Cabinet and accessible through drilled Access Holes in the cabinet floor. Remove the plastic plugs from the Access Holes in order to perform the leveling adjustments in the next step.

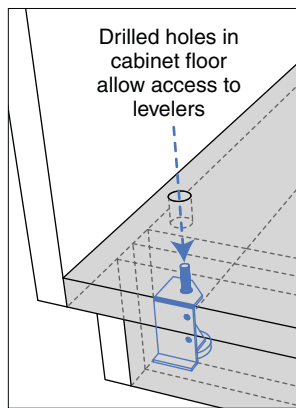
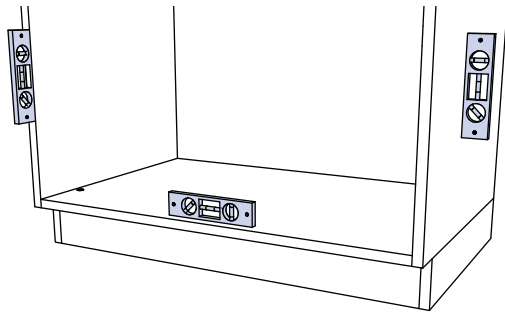


NOTE:

For illustrative purposes, a narrower cabinet is depicted for the leveling procedures.

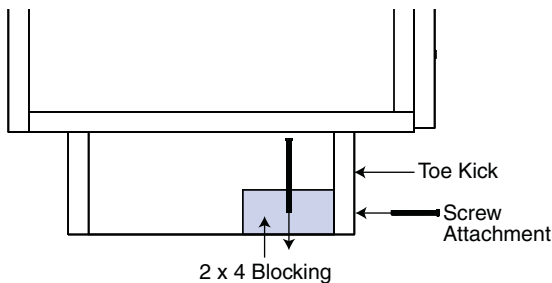
STEP-BY-STEP INSTALLATION

- 4** Using a level, adjust the Levelers until the sidewall, front edge and cabinet floor are plumb. Insert a 4mm hex wrench through the Access Holes in the cabinet floor to make the adjustments. Once the adjustments are complete, reinstall the plastic plugs into the Access Holes.



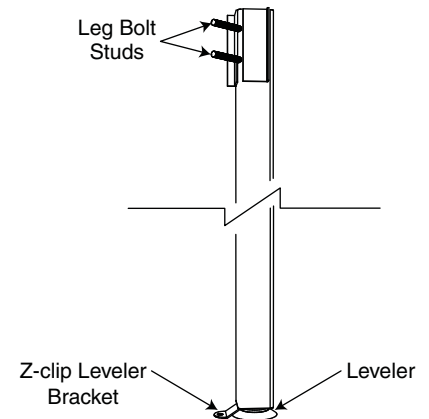
NOTE:
Turn clockwise to lift,
counterclockwise to lower.

- 5** Securely fasten Base Cabinet to the floor structure, using Blocking to floor behind Toe Kicks and screw attachment through Toe Kick area.



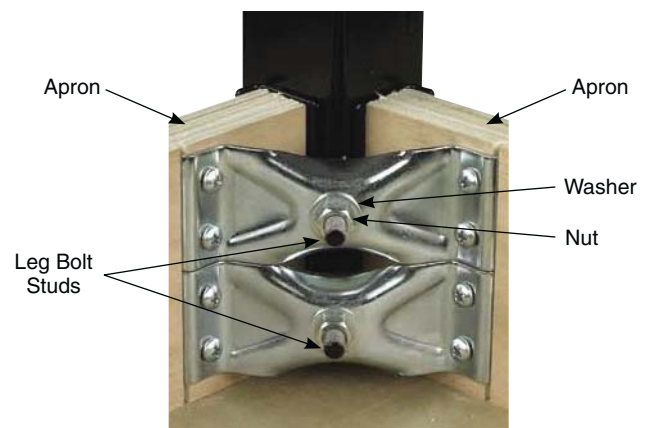
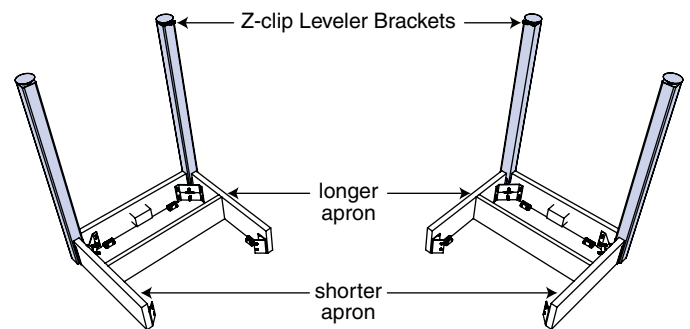
IMPORTANT!
Cabinet must be securely attached to floor structure with anchoring devices of appropriate type, size and quantity in accordance with applicable codes and accepted installation practices.

- 6** Note that Table Legs are powder coated steel tube construction, with Levelers attached. A minimum of two (2) Table Legs are provided with Z-clip Leveler Brackets for attachment of the Legs to the floor structure.



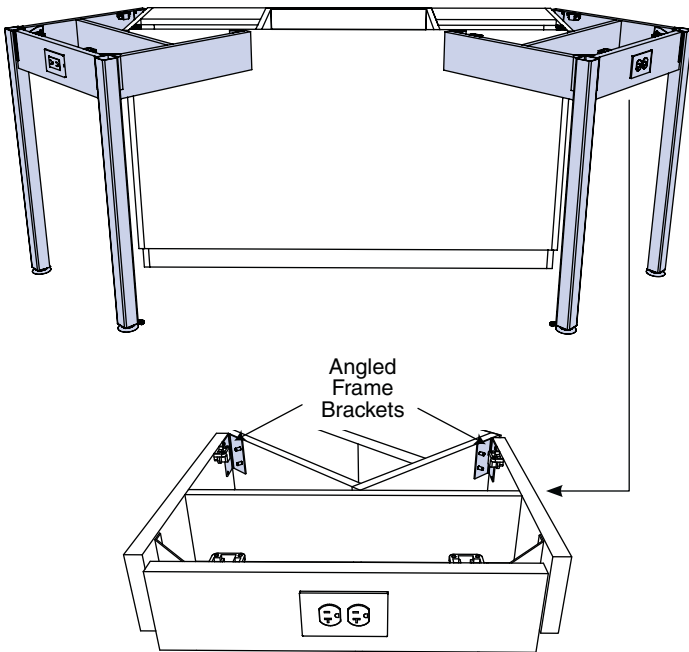
- 7** With left and right Apron Frame Assemblies upside down, attach Table Legs into the Assembly corners, using washers and nuts on Leg Bolt Studs. Snug until Legs are not loose.

NOTE:
Table Legs with Z-clip leveler brackets attached should be located at what will be the front corners (front corners are nearest the longer aprons).

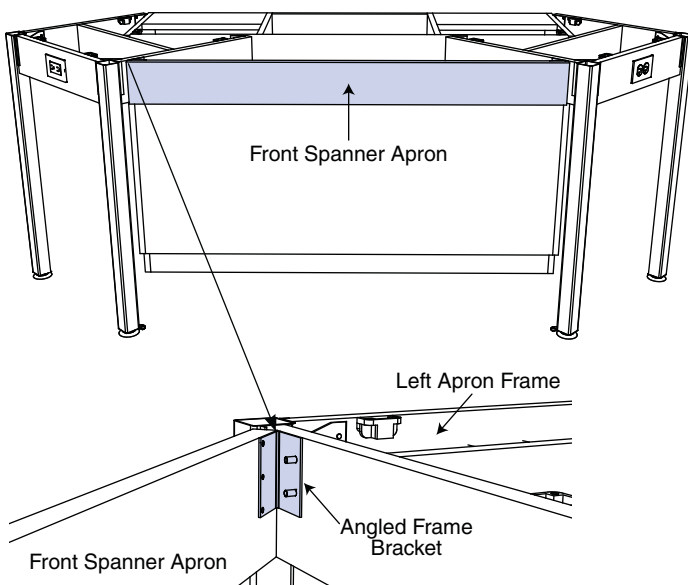


STEP-BY-STEP INSTALLATION

- 8** Attach left and right Apron Frame Assemblies to front side and ends of Base Cabinet, using 1/4 - 20 bolts through pre-drilled holes in the Base Cabinet Faces and into the Angled Frame Brackets on the Aprons.



- 9** Attach Front Spanner Apron between the Apron Frame Assemblies, using 1/4 - 20 bolts through the pre-drilled holes in the left and right Apron Frame Faces and into the Angled Frame Brackets on the Front Spanner Apron.

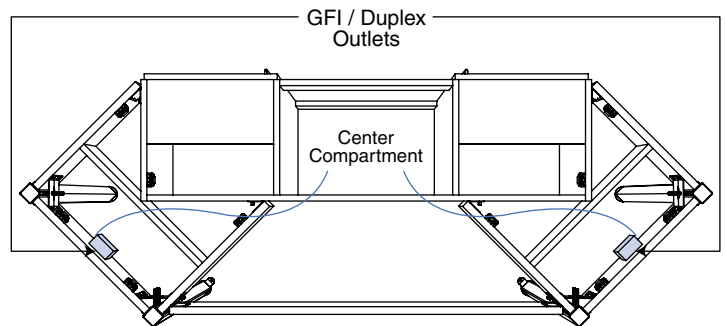


- 10** Snug all Apron attachment bolts and finish tightening the Table Legs. Level the Table Legs to match the Apron Frame Assembly top planes to that of the Base Cabinet, then attach the front Legs to the floor structure, using the Z-clip leveler brackets.

- 11** Drill holes to properly route electrical wiring. Route wiring conduits into center compartment. Table is provided with one (1) GFI (Ground Fault Interrupter) and one (1) Duplex Outlet in the Apron Frame Assemblies. Electrical connections for the 110V single phase duplex outlets to be performed by licensed electrician in accordance with all applicable codes.

NOTE TO ELECTRICIAN:

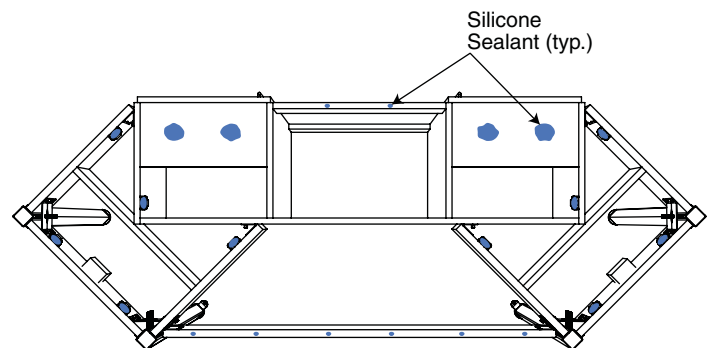
A GFI (Ground Fault Interrupter) is provided, and both duplex outlets must be connected to provide protection in both outlets.



- 12** The Countertop is held in place with Clear Silicone Sealant. Apply Silicone Sealant in general locations shown below on Aprons and Base Cabinet.

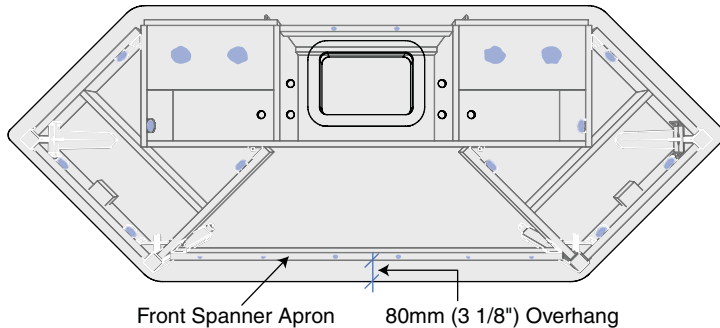
NOTE:

Laminate top may be additionally attached with 3/4 x 8 flat head screws through the Brackets attached to the Apron Assembly and Base Cabinet.



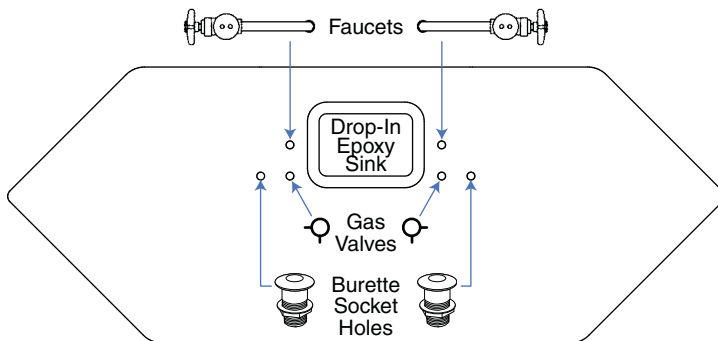
STEP-BY-STEP INSTALLATION

- 13** Place Countertop onto Table Assembly, with an 80mm (3 1/8") overhang from the Front Spanner Apron and centered side-to-side. Clamp Top down as may be necessary until Sealant is set. (84022 countertop depicted in drawing below)



CAUTION!
Countertops are quite heavy.
Please use caution when handling.
Do not attempt to handle without additional assistance.

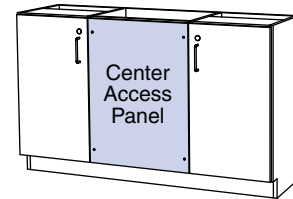
- 14** **FOR 84022 ONLY:** If not pre-mounted, install drop-in Epoxy Sink with Clear Silicone Sealant. Install two (2) Faucets and two (2) Gas Valves in locations shown, using silicone sealant under fixtures to seal against leakages. Install two (2) Burette Sockets into pre-drilled holes.



Allow sealant to set at least overnight before proceeding with utility hookups.

- 15** **FOR 84022 ONLY:** Utility hookups for cold water gooseneck Faucets, Drains and Gas Valve assemblies to be performed by licensed plumber in accordance with all applicable codes.

- 16** Reinstall Center Access Panel on back side of the Base Cabinet after completion of hookups.



- 17** Base cabinets are provided with an unfinished toe kick fascia in anticipation of 4" vinyl base application by flooring contractor, matching room décor. (It is recommended to wrap vinyl base around all four (4) faces of the Base unit.)

NOTE:

If vinyl base was purchased from I.D.SYSTEMS™, it has a self-adhesive backing. After removing the protective cover strip, take care to properly position the vinyl base before applying pressure for permanent adhesion.