



WALL CABINETS

STEP-BY-STEP INSTALLATION

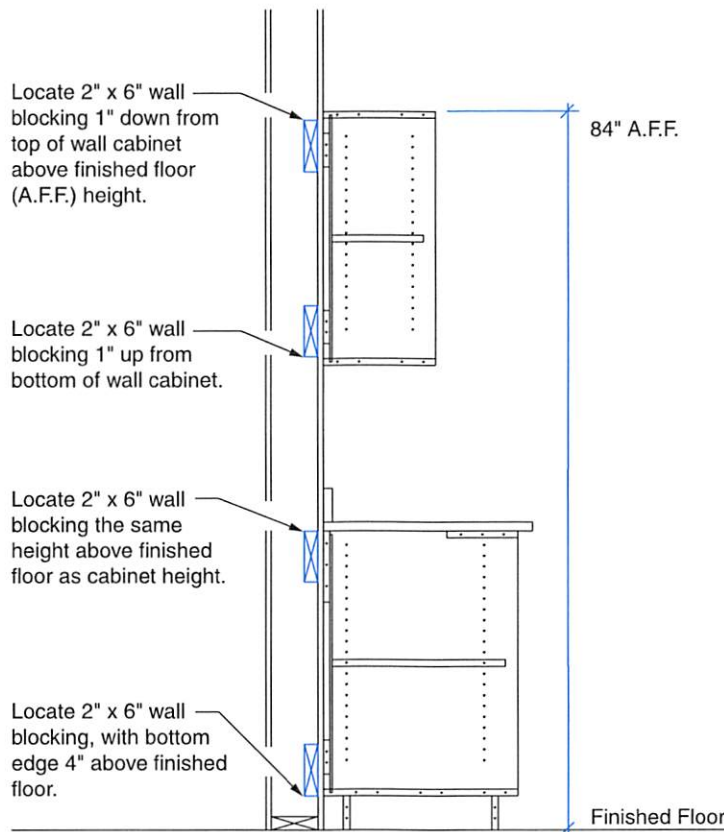
Images Depict Typical Wall Cabinet Assemblies

- 3 Locate top of Wall cabinet at desired height above finished floor (A.F.F.). Typical A.F.F. height is 84".

NOTE:

Internal wall blocking required for attachment of cabinets to wood and metal stud walls, as illustrated below.

IMPORTANT!
Do not mount Wall cabinet in area or at height where the bottom could come into contact with children's heads.



CAUTION!

Never rely on simply anchoring into gypsum, plaster or thin paneling wall. Always fasten into hard areas of masonry walls, studs and internal wall blocking.

NOTE:

Block or concrete walls require no blocking. Attachment to wall with proper concrete or masonry anchors required.

WALL ANCHORING REQUIREMENTS:

AWI (Architectural Woodwork Institute) compliant shelf loading is a maximum of 50# per square foot of shelf, up to a maximum of 200# per individual shelf.

Using a 24" wide x 12" deep cabinet with one adjustable shelf as an example:

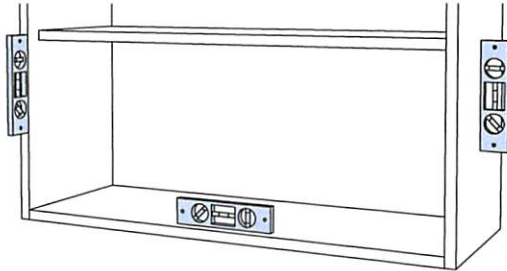
A rule of thumb would be to count the cabinet bottom, adjustable shelf and cabinet top each as a 2 square foot shelf – plus, one extra shelf length to allow for cabinet weight. Thus, a total of 8 square feet of shelf at 50# per square foot yields a minimum anchorage of 400# loading without any safety overload possible. A factor of 1.5 to 2 would indicate 600# to 800# anchorage strength.

WALL CABINETS



STEP-BY-STEP INSTALLATION

- 4 Use a level on the sidewall, front edge and cabinet floor to plumb the cabinet to the wall. Shim as necessary to accommodate irregular wall conditions.



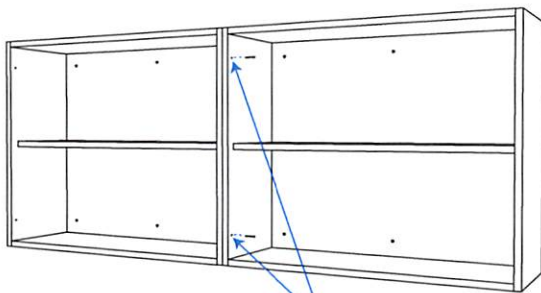
- 5 Securely attach cabinet to building structure through both Mounting Rails, in the locations illustrated in Step #2.

Fastening anchors (not provided) to be of type suitable for wall structures such as block and concrete, wood stud walls and metal stud walls. Do not attach directly to drywall or thin paneling.

IMPORTANT!

Assembly must be securely attached to building structure with anchoring devices of appropriate type, size and quantity in accordance with applicable codes and accepted installation practices.

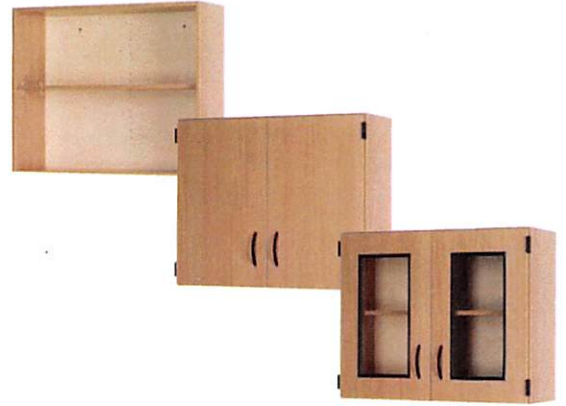
- 6 If additional Wall cabinets were purchased as an assembly, continue to mount the additional units side-by-side, using previous installation steps. Align cabinet bottoms and front vertical edges for a professional appearance. 1 1/4" screws and predrilled location holes have been included to additionally attach cabinet sides together, as may be necessary.



Predrilled Location Holes
(approx. 1" from front cabinet edge,
3" down from top, 3" up from bottom)



Stevens I.D. SYSTEMS®
800.350.3270
www.IDSystemsStorage.com



WALL CABINETS

STEP-BY-STEP INSTALLATION

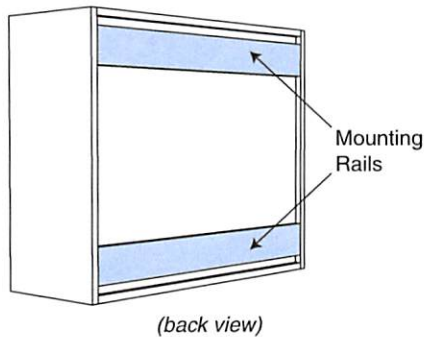
ATTENTION

Please unpack and assemble in an area away from children's activities. Remove all tools and excess materials from work area after assembly of unit is complete. Dispose of pallet and packaging materials in an environmentally friendly manner. If any parts are missing or damaged, please call Stevens for immediate parts replacement (1-800-350-3270). When ordering parts, give the Model Number and Color of the unit.

NOTE:

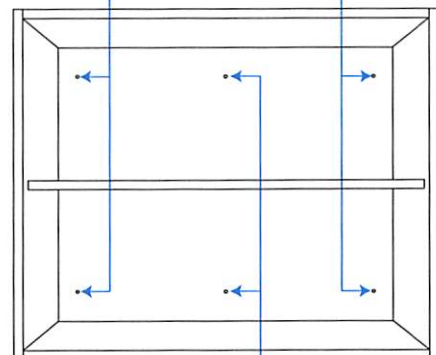
Pulls are preinstalled on the inside of fronts and must be reinstalled on the outside. However, they are shown in their final mounting position on installation drawings.

- 1 Note that there are two (2) Mounting Rails on the back side of the Wall cabinet.



- 2 Note that there is a minimum of four (4) standard locations for attachment of the Wall cabinet to the building structure, as illustrated below. Two (2) additional mid-point locations are recommended for cabinets that are 30" wide and wider. Anchoring devices (*not provided*) must pass through the Mounting Rails on the back of the cabinet.

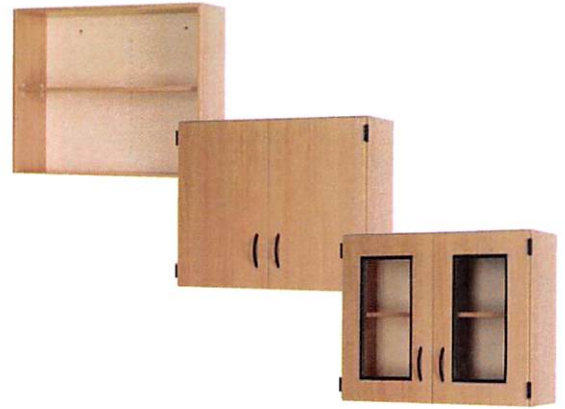
4 standard attachment locations:
3" down from top of cabinet
3" up from bottom of cabinet
2" in from end panels



2 additional attachment locations
for cabinets 30W and wider:
3" down from top of cabinet
3" up from bottom of cabinet
Mid-width of cabinet



Stevens I.D.SYSTEMS®
800.350.3270
www.IDSystemsStorage.com



WALL CABINETS

STEP-BY-STEP INSTALLATION

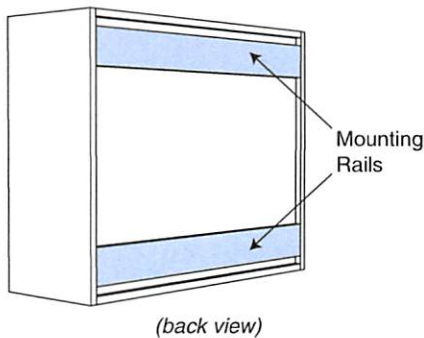
ATTENTION

Please unpack and assemble in an area away from children's activities. Remove all tools and excess materials from work area after assembly of unit is complete. Dispose of pallet and packaging materials in an environmentally friendly manner. If any parts are missing or damaged, please call Stevens for immediate parts replacement (1-800-350-3270). When ordering parts, give the Model Number and Color of the unit.

NOTE:

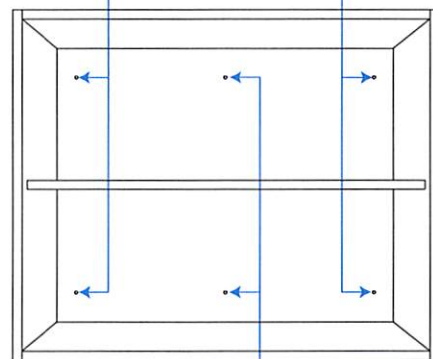
Pulls are preinstalled on the inside of fronts and must be reinstalled on the outside. However, they are shown in their final mounting position on installation drawings.

- 1 Note that there are two (2) Mounting Rails on the back side of the Wall cabinet.



- 2 Note that there is a minimum of four (4) standard locations for attachment of the Wall cabinet to the building structure, as illustrated below. Two (2) additional mid-point locations are recommended for cabinets that are 30" wide and wider. Anchoring devices (*not provided*) must pass through the Mounting Rails on the back of the cabinet.

4 standard attachment locations:
3" down from top of cabinet
3" up from bottom of cabinet
2" in from end panels



2 additional attachment locations
for cabinets 30W and wider:
3" down from top of cabinet
3" up from bottom of cabinet
Mid-width of cabinet