

1 Determine where your track will be located, then mark and pre-drill holes.

- 1 - Mark a level line at the correct height ($H + 15/8$).
- 2 - Find location of studs in your wall. (NOTE: If studs cannot be found at spacing where track is to be installed, it is recommended to install a header board.)
- 3 - Mark and pre-drill holes corresponding to the location of studs along the level line.

NOTE: H = height of your barn door in inches

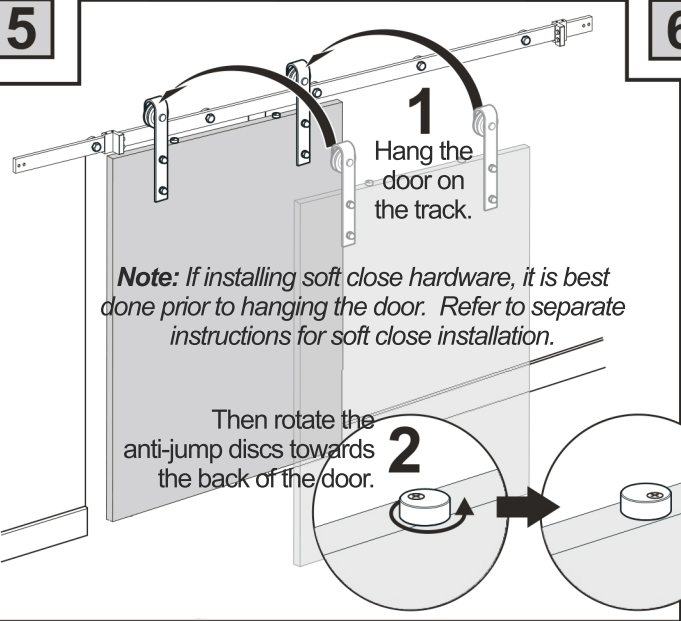
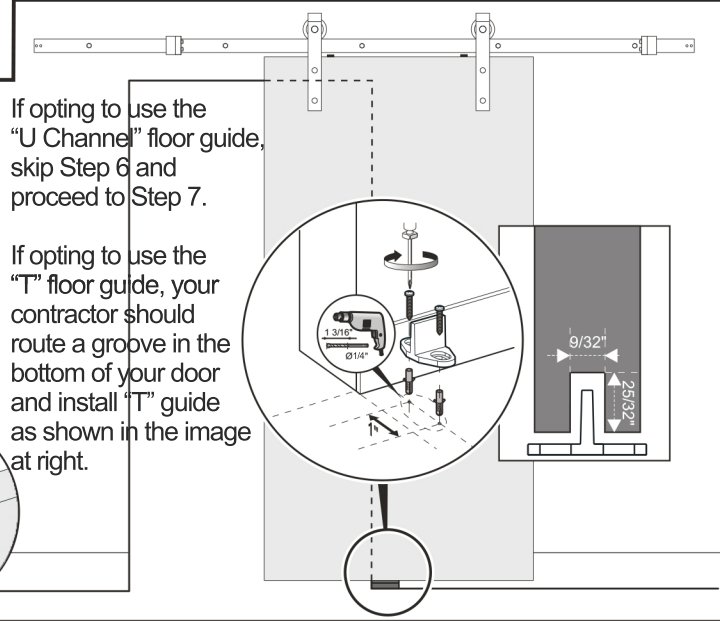
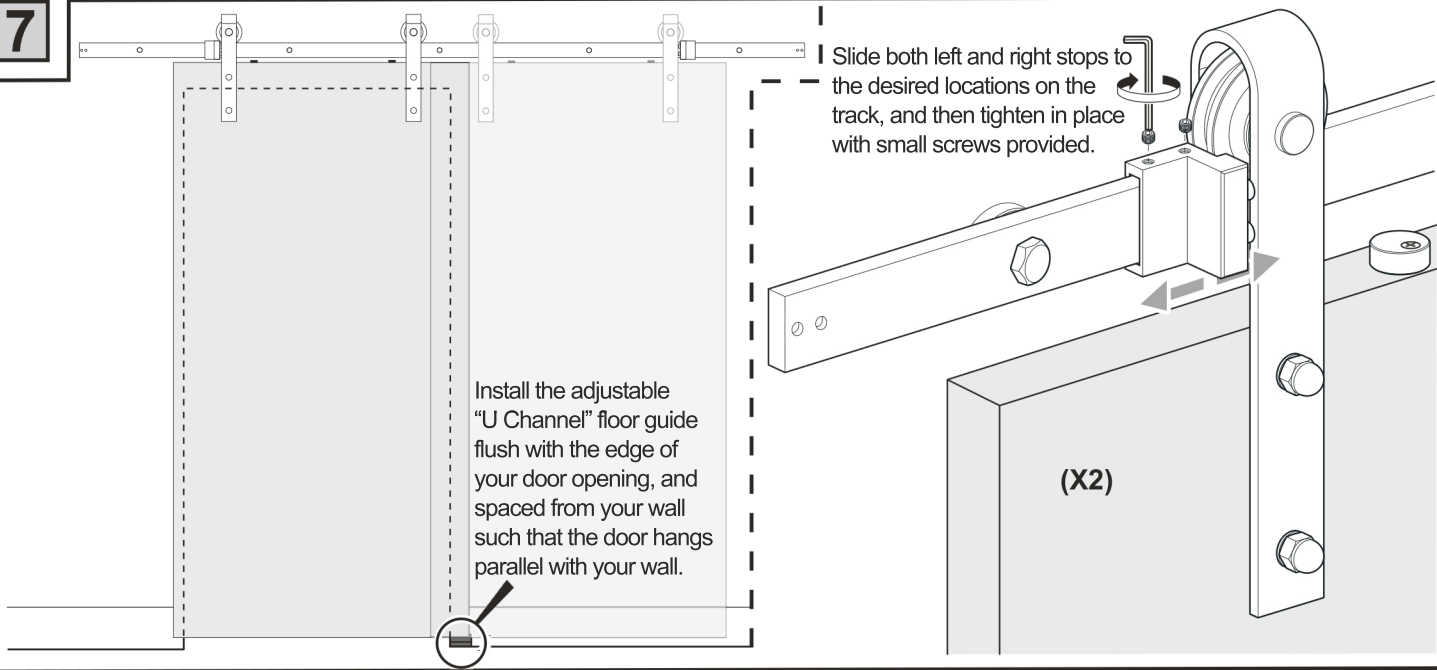
3 Drill holes in door and attach rollers.

2 Install track by driving lag screws through washers, track, and spacers.

Stops can be placed on either side of outer holes.

4 Attach anti-jump discs on top of door.

After attaching anti-jump discs on top of door, rotate them toward the front side of door.

5**6****7****8**