

SPARE PARTS CATALOGUE
SURFACE PREPARATION EQUIPMENT: HUSQVARNA PG 280

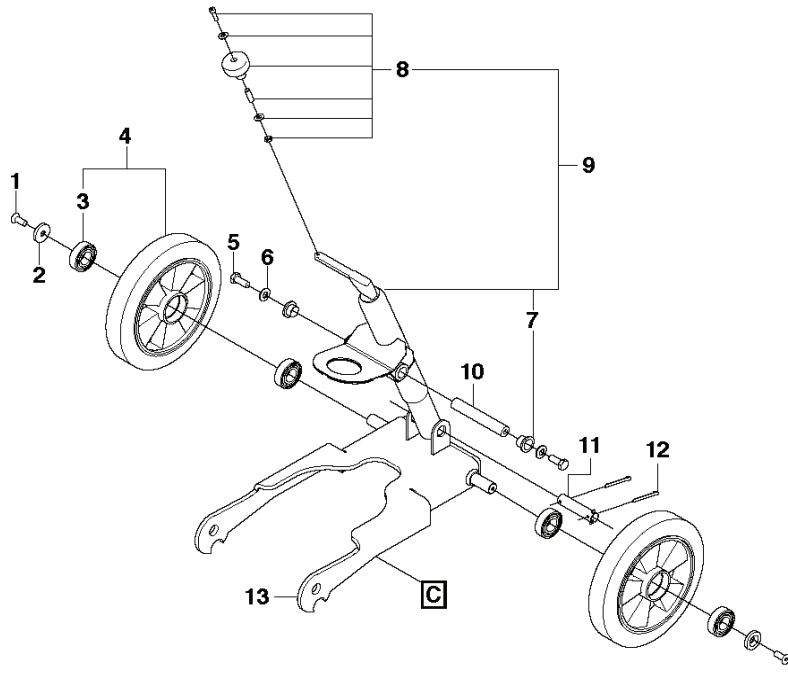
Spare Parts List

SPARE PARTS LIST

SURFACE PREPARATION EQUIPMENT

HUSQVARNA PG 280

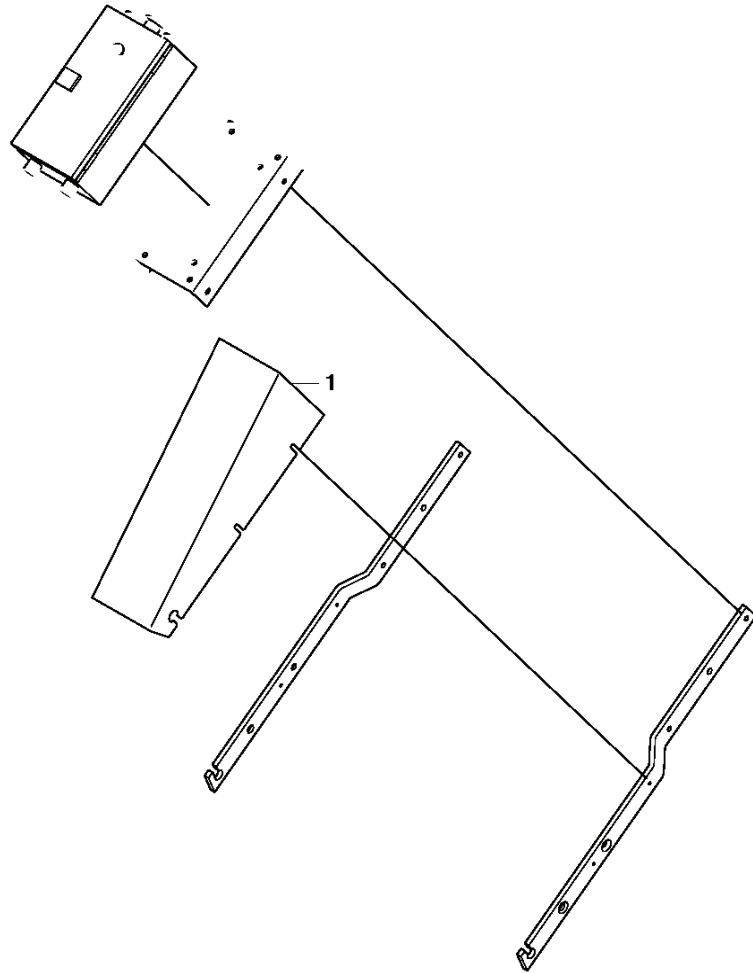
B



SURFACE PREPARATION EQUIPMENT

PXM_REF	PXM_PARTNO	DESCRIPTION	PXM_REMARK	QTY.
1	725536851	SCREW IHSCM		2
2	725249376	SCREW EHHM		2
3	574703201	ADJUSTMENT SCREW		4 4
4	504185501	WHEEL		2
5	725649376	SCREW EHHM		2
6	734117201	WASHER		2
7	510217501	BUSHING		2 9
8	574568901	KIT		1 9
9	510216801	ADJUSTMENT SCREW		1
10	510217701	SHAFT PIVOT		1
11	510215701	LOCKING PIN		1
12	721621601	SPLIT PIN		2
13	574566901	CHASSIS		1

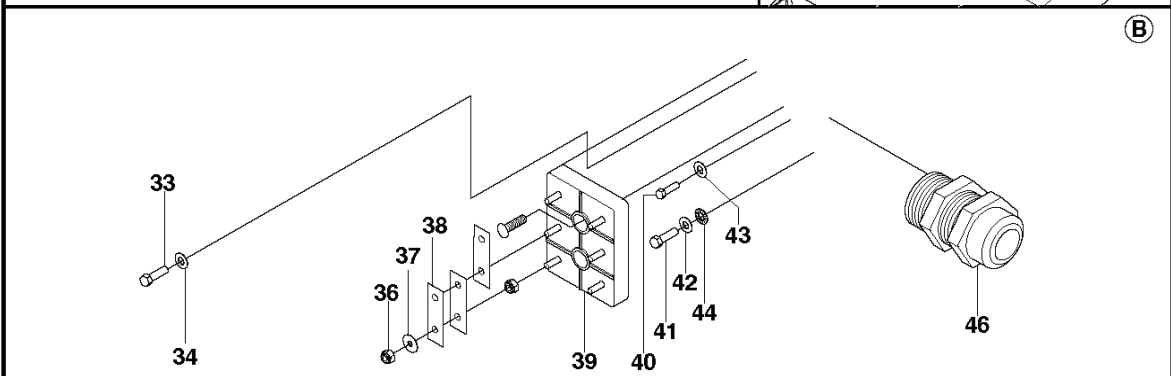
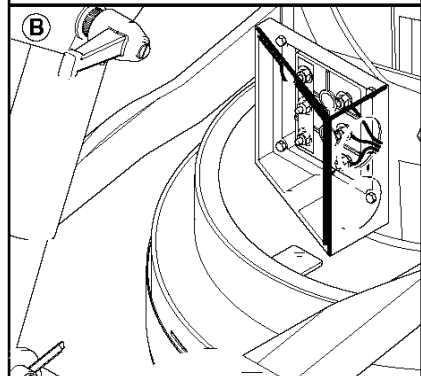
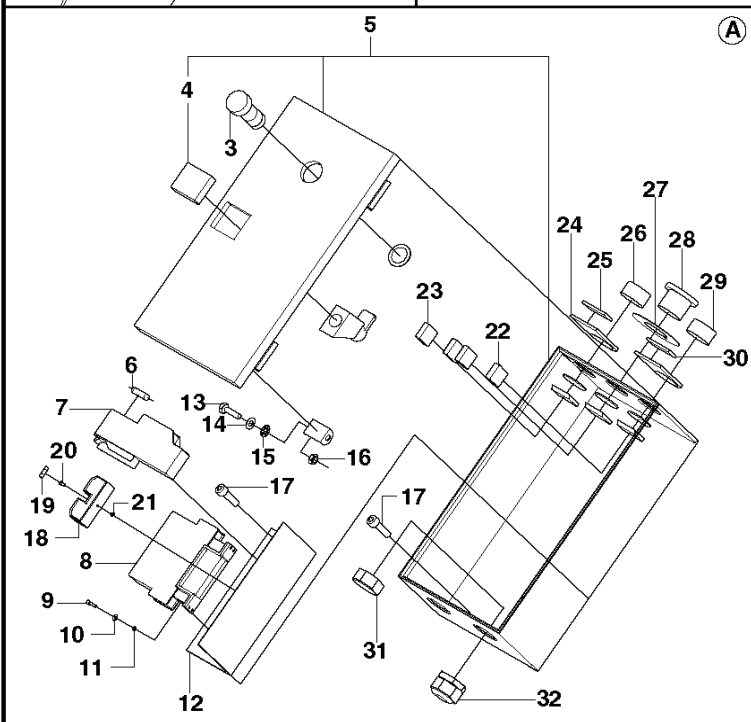
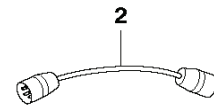
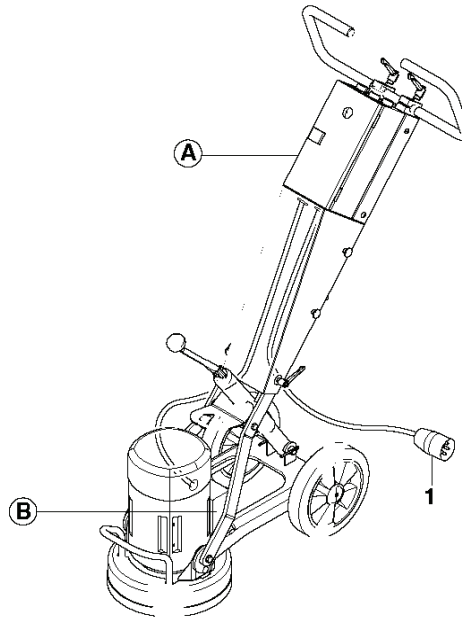
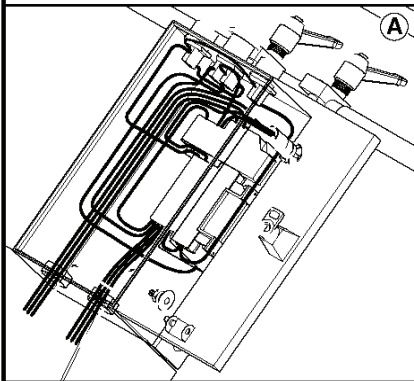
D



SURFACE PREPARATION EQUIPMENT

PXM_REF	PXM_PARTNO	DESCRIPTION	PXM_REMARK	QTY.
1	510228101	DUST COVER		1

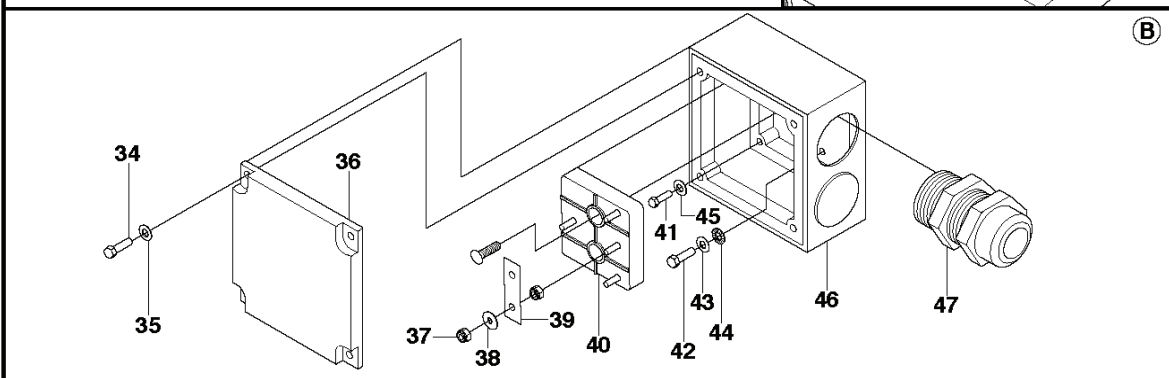
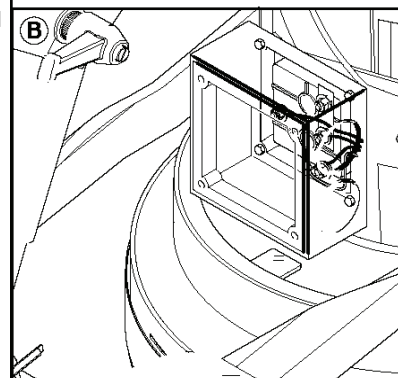
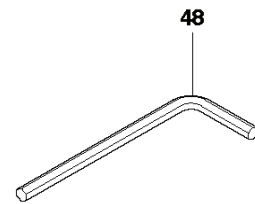
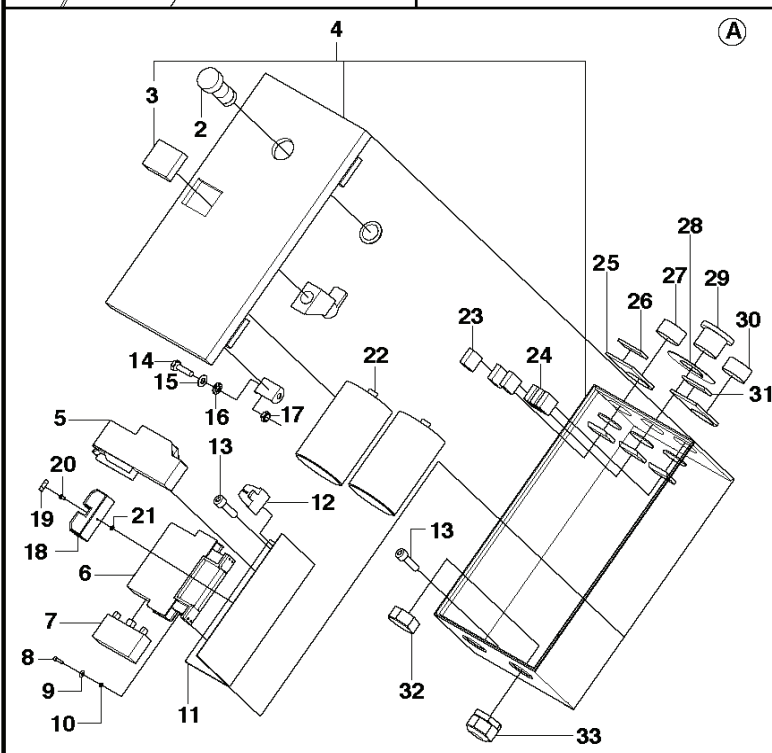
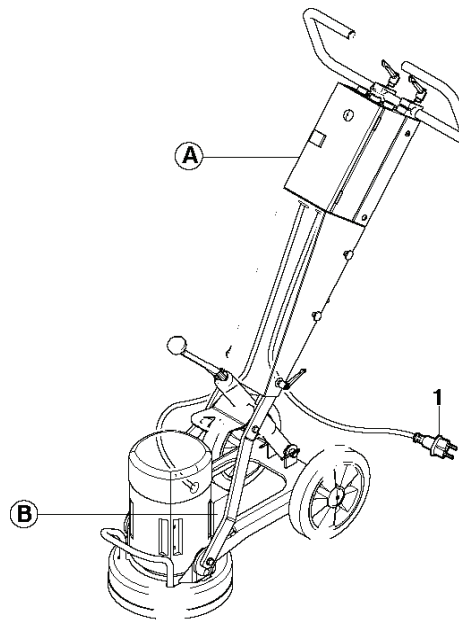
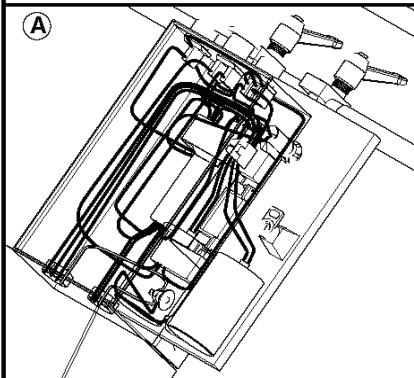
E1 3-Phase



SURFACE PREPARATION EQUIPMENT

PXM_REF	PXM_PARTNO	DESCRIPTION	PXM_REMARK	QTY.
1	529316101	CABLE		1
2	574524101	CABLE ASSY		1
3	510434801	LED		1
4	516062101	LOCK		1
5	525638201	ELECTRIC BOX		1
6	516062301	RESISTOR		1
7	510434201	OVERLOAD PROTECTION		1
8	510430801	CONTACTOR		1
9	725529301	SCREW IHSCM		4
10	734113601	WASHER		4
11	732251201	HEXAGON LOCKING NUT		4
12	516062401	SHEET		1
13	725236471	SCREW EHHM		1
14	734115201	WASHER		2
15	735215301	LOCKWASHER		2
16	731231601	HEXAGON NUT		2
17	725536455	SCREW IHSCM		6
18	525882601	FUSE HOLDER		1
19	525638101	FUSE		2
20	725532501	SCREW IHSCM		1
21	732251401	HEXAGON LOCKING NUT		1
22	510431501	TERMINAL BLOCK		1
23	510431401	TERMINAL BLOCK		3
24	510433001	HOLDER		2
25	510433101	SIGN		1
26	510431101	PUSH BUTTON		1
27	510431601	SIGN		1
28	510431301	PUSH BUTTON		1
29	510431201	PUSH BUTTON		1
30	510433201	SIGN		1
31	510431801	NUT		2
32	510431701	CABLE GROMMET		2
33	725233771	SCREW EHHM		2
34	516062901	LOCKWASHER		2
36	731231401	HEXAGON NUT		12
37	734113601	WASHER		6
38	516063101	CONNECTION PLATE		3
39	516063301	TERMINAL BLOCK		1
40	725232971	SCREW EHHM		4
41	725236671	SCREW EHHM		1
42	734115201	WASHER		1
43	516062901	LOCKWASHER		4
44	735215301	LOCKWASHER		1
46	521885001	CABLE GROMMET		1

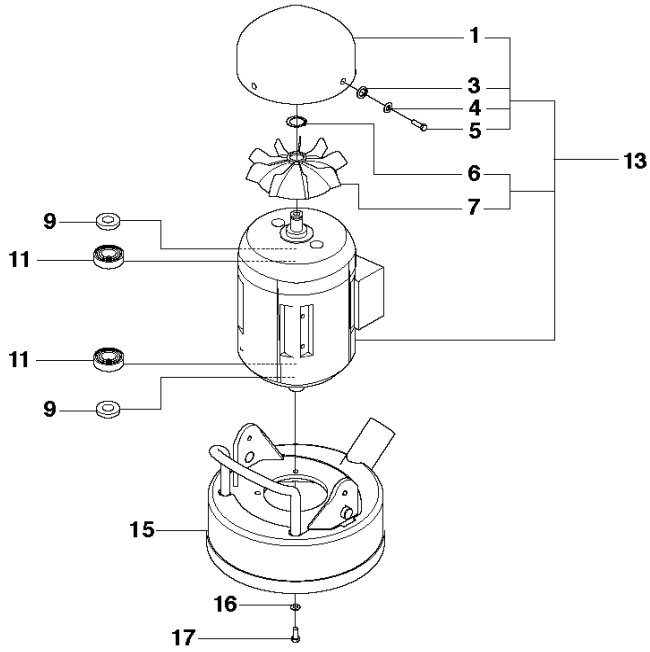
E2 1-Phase



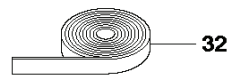
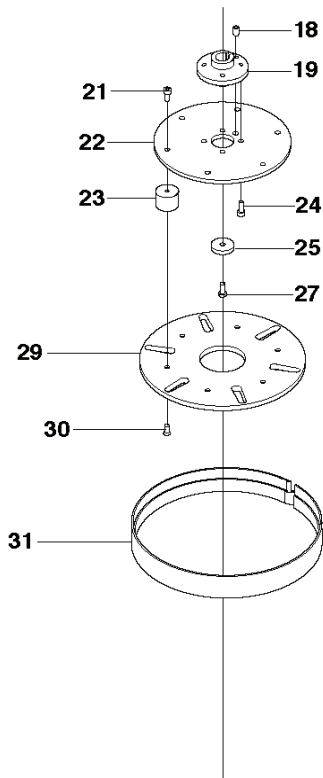
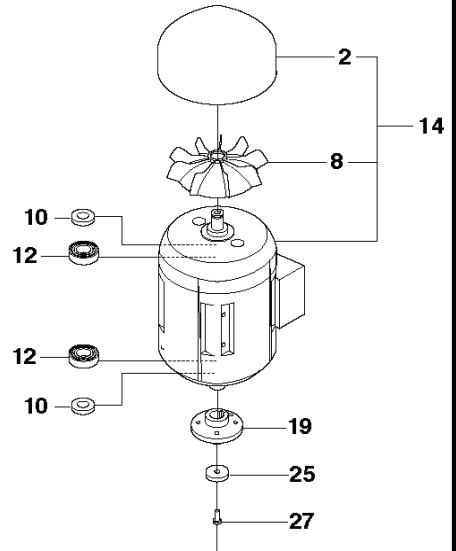
SURFACE PREPARATION EQUIPMENT

PXM_REF	PXM_PARTNO	DESCRIPTION	PXM_REMARK	QTY.
1	525841901	CABLE		1
1	525841902	CABLE		1
1	525841903	CABLE		1
2	510434801	LED		1
3	516062101	LOCK		1 4
4	525638202	ELECTRIC BOX		1
5	510434101	OVERLOAD PROTECTION		1
6	510430901	CONTACTOR		1
7	510434901	TIMER		1
8	725529301	SCREW IHSCM		4
9	734113601	WASHER		4
10	732251201	HEXAGON LOCKING NUT		4
11	516062401	SHEET		1
12	510433401	TERMINAL BLOCK		1
13	725536455	SCREW IHSCM		6
14	725236471	SCREW EHHM		1
15	734115201	WASHER		2
16	735215301	LOCKWASHER		2
17	731231601	HEXAGON NUT		2
18	525638001	FUSE HOLDER		1
19	525638101	FUSE		1
20	725532501	SCREW IHSCM		1
21	732251401	HEXAGON LOCKING NUT		1
22	510433301	CAPACITOR		2
23	510431401	TERMINAL BLOCK		3
24	510431501	TERMINAL BLOCK		3
25	510433001	HOLDER		2
26	510433101	SIGN		1
27	510431101	PUSH BUTTON		1
28	510431601	SIGN		1
29	510431301	PUSH BUTTON		1
30	510431201	PUSH BUTTON		1
31	510433201	SIGN		1
32	510431801	NUT		2
33	510431701	CABLE GROMMET		2
34	521888001	SCREW		4
35	734113601	WASHER		4
36	521888101	LID		1
37	731231201	HEXAGON NUT		8
38	734113601	WASHER		4
39	521888201	CONNECTION		1
40	521888301	TERMINAL BLOCK		1
41	724129151	SCREW CRPANM		4
42	521888401	LOCKWASHER		4
43	724128751	SCREW		1
44	734113601	WASHER		1
45	735213601	LOCKWASHER		1
46	521888501	ELECTRIC BOX		1
47	521888601	CABLE GROMMET		1
48	531119536	INBUSSCHLUESSEL 8MM		1

A 3-Phase



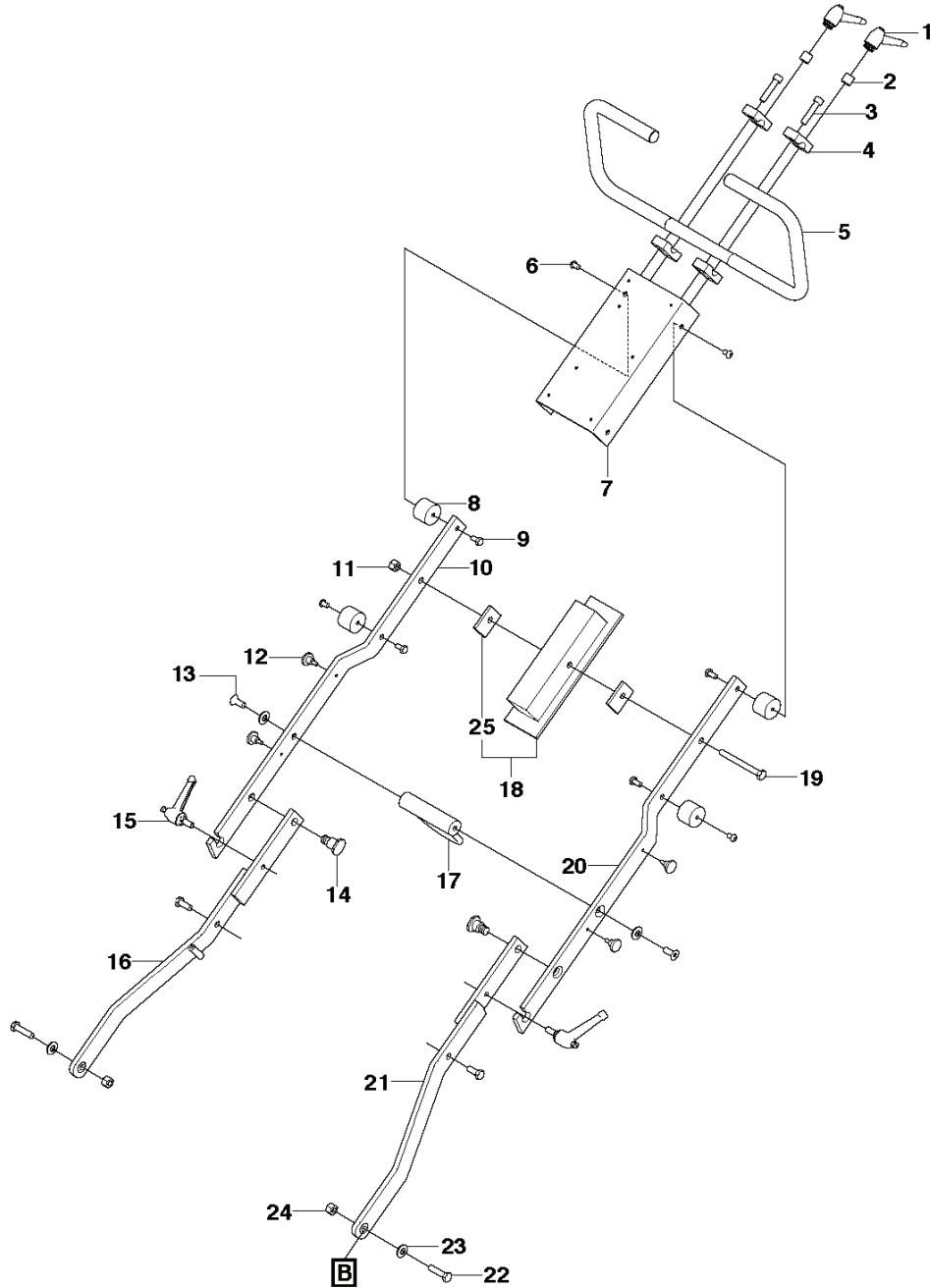
Single Phase



SURFACE PREPARATION EQUIPMENT

PXM_REF	PXM_PARTNO	DESCRIPTION	PXM_REMARK	QTY.
1	522486701	FAN COVER		1 13
2	522486801	FAN COVER		1 14
3	522464001	LOCKWASHER		4 13
4	522464201	WASHER		4 13
5	725232577	SCREW EHHM		4 13
6	735312800	CIRCLIP		1 13
7	522487001	IMPELLER		1 13
8	522487101	IMPELLER		1 14
9	740681621	V-RING SEAL		2 13
10	740681421	V-RING		2 14
11	738220629	BALL BEARING		2 13
12	738220529	BEARING		2 14
13	510208402	MOTOR		1
14	510435002	MOTOR		1
15	574703101	MOTOR BRACKET		1
16	734116301	WASHER		4
17	725545501	SCREW IHSCM		4
18	721440901	PEN		1
19	510213301	HUB		1
21	725644755	SCREW IHCSFM		6
22	510213001	ATTACHMENT PLATE		1
23	510213101	DAMPER		6
24	725545155	SCREW IHSCM		4
25	510235101	WASHER		1
27	725249571	SCREW EHHM		1
29	522677301	HOLDER		1
30	725644955	SCREW IHCSFM		6
31	574272001	RUBBER SKIRT		1
32	525555101	STRIP		1

C



SURFACE PREPARATION EQUIPMENT

PXM_REF	PXM_PARTNO	DESCRIPTION	PXM_REMARK	QTY.
1	510244801	HANDLE		2
2	510229601	SPACER		2
3	725550055	SCREW IHSCM		2
4	510229301	BRACKET		4
5	510229401	HANDLE		1
6	510361501	SCREW IHANM		4
7	510228801	FRAME		1
8	510227801	DAMPER		4
9	725244971	SCREW EHHM		4
10	510226901	FORK		1
11	732252001	HEXAGON LOCKING NUT		3
12	510361601	SCREW		4
13	725649355	SCREW IHCSFM		2
14	510228401	BUSHING		2
15	510228201	LOCKING HANDLE		2
16	510216001	ARM		1
17	510227001	HOSE CLIP		1
18	574555501	KIT		1
19	725251151	SCREW EHHM		1
20	510226801	FORK		1
21	510215901	ARM		1
22	725250081	SCREW EHHM		2
23	734117201	WASHER		4
24	732252001	HEXAGON LOCKING NUT		2
25	522487201	SPACER		2