

SPARE PARTS CATALOGUE
SURFACE PREPARATION EQUIPMENT: HUSQVARNA PG 280

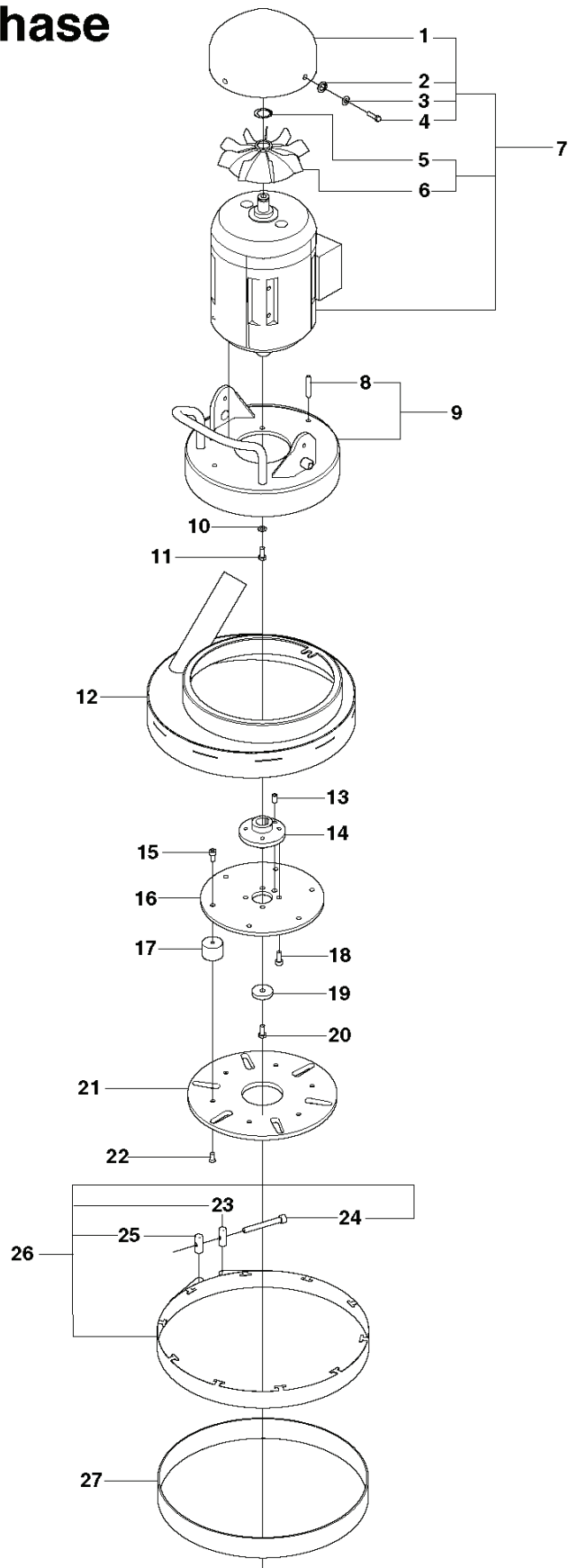
Spare Parts List

SPARE PARTS LIST

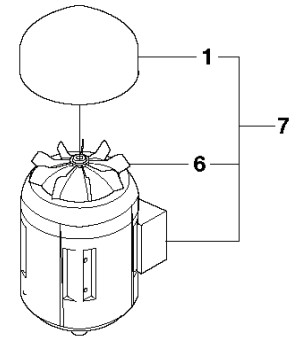
SURFACE PREPARATION EQUIPMENT

HUSQVARNA PG 280

A 3-Phase



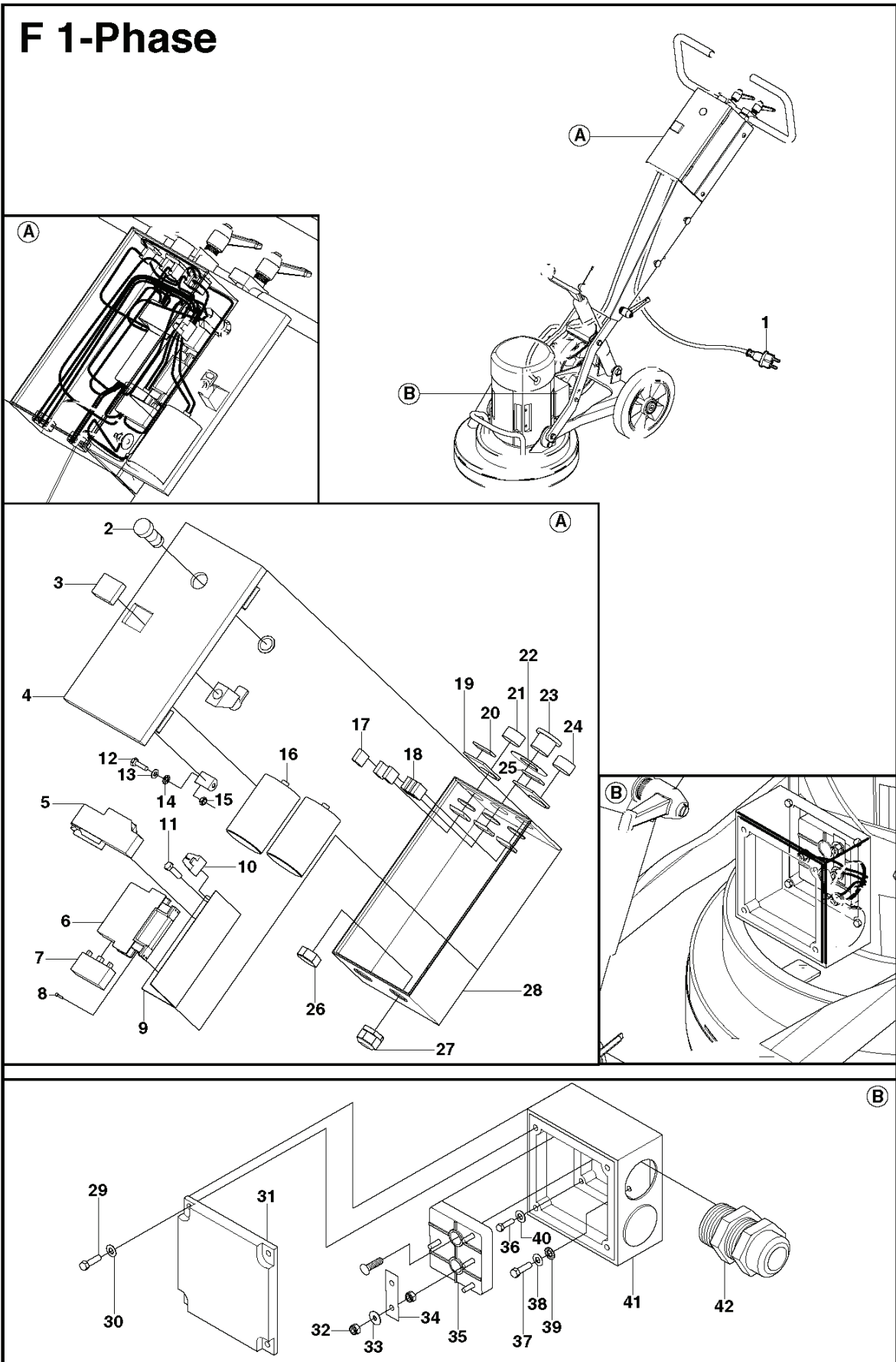
Single Phase



SURFACE PREPARATION EQUIPMENT

PXM_REF	PXM_PARTNO	DESCRIPTION	PXM_REMARK	QTY.	
1	522486801	FAN COVER	Single Phase	1	7
1	522486701	FAN COVER	3-Phase	1	7
2	522464201	WASHER		4	7
3	522464001	LOCKWASHER		4	7
4	725232577	SCREW EHHM		4	7
5	735312800	CIRCLIP		1	7
6	522487001	IMPELLER	3-Phase	1	7
6	522487101	IMPELLER	Single Phase	1	
7	510208401	MOTOR	3-Phase	1	7
7	510435001	MOTOR	Single Phase	1	7
8	721438501	PEN		1	9
9	510209001	MOTOR BRACKET		1	9
10	734116371	WASHER		1	
11	725545501	SCREW IHSCM		1	
12	510210401	DUST COVER		1	
13	721440901	PEN		1	
14	510213301	HUB	3-Phase	1	
14	510435101	HUB	Single Phase	1	
15	725544955	SCREW IHSCM		6	
16	510213001	ATTACHMENT PLATE		1	
17	510213101	DAMPER		6	
18	725550755	SCREW IHSCM		4	
19	510213501	WASHER		1	
20	725249571	SCREW EHHM		1	
21	510221301	HOLDER		1	
22	725644955	SCREW IHCSFM		6	
23	510212801	PEN		1	26
24	725550955	SCREW IHSCM		1	26
25	510212701	PEN		1	26
26	510211801	RING FASTENER		1	26
27	510210201	RUBBER RING		1	26

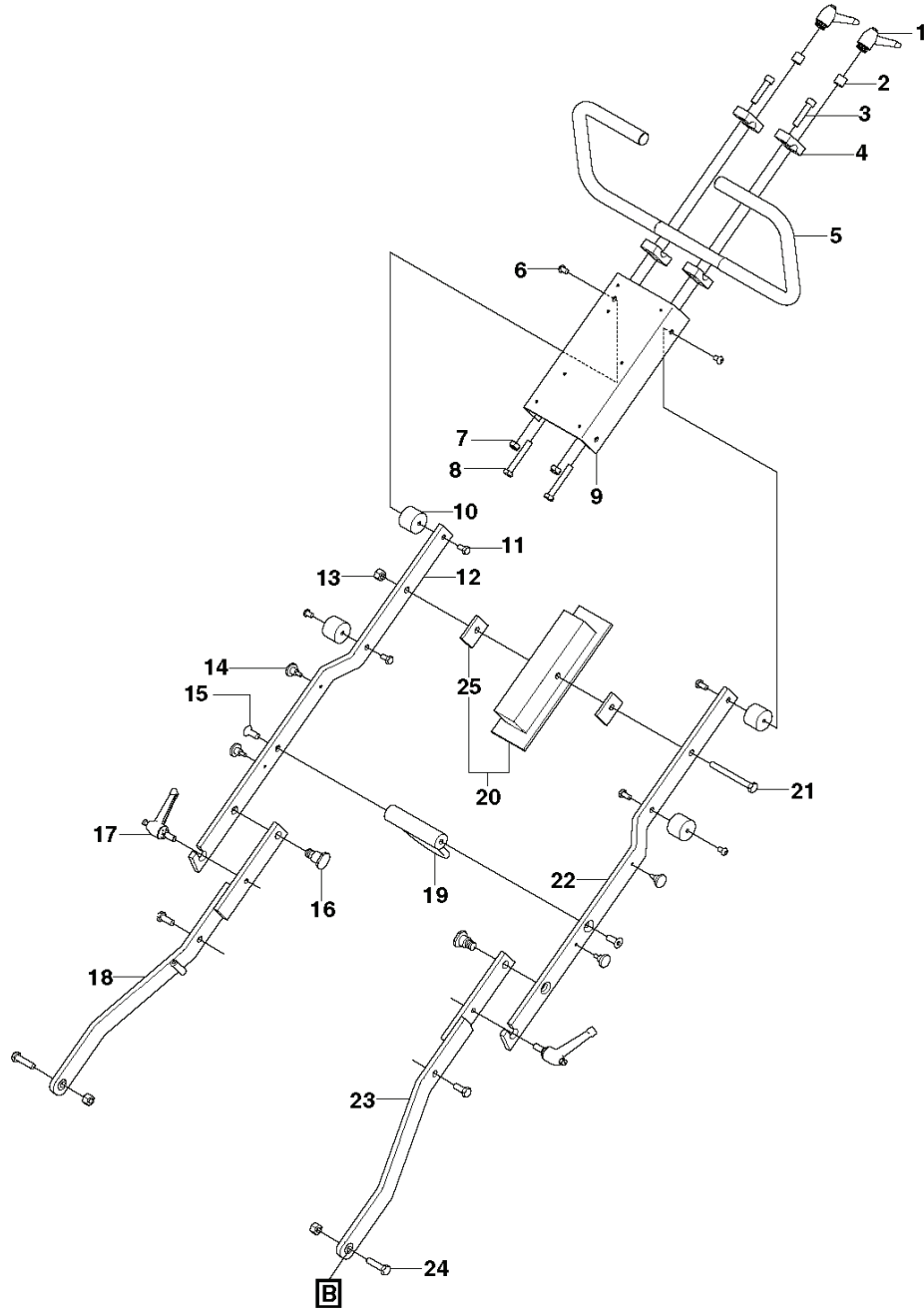
F 1-Phase



SURFACE PREPARATION EQUIPMENT

PXM_REF	PXM_PARTNO	DESCRIPTION	PXM_REMARK	QTY.
1	510433701	PLUG		1
2	510434801	LED		1
3	516062101	LOCK		1
4	516062201	LID		1
5	510434101	OVERLOAD PROTECTION		1
6	510430901	CONTACTOR		1
7	510434901	TIMER		1
8	723128951	SCREW SLCHM		4
9	516062401	SHEET		1
10	510433401	TERMINAL BLOCK		1
11	724136451	SCREW CRPANM		2
12	725236871	SCREW EHHM		1
13	734115201	WASHER		2
14	735215301	LOCKWASHER		2
15	731231601	HEXAGON NUT		2
16	510433301	CAPACITOR		2
17	510431401	TERMINAL BLOCK		3
18	510431501	TERMINAL BLOCK		3
19	510433001	HOLDER		2
20	510433101	SIGN		1
21	510431101	PUSH BUTTON		1
22	510431601	SIGN		1
23	510431301	PUSH BUTTON		1
24	510431201	PUSH BUTTON		1
25	510433201	SIGN		1
26	510431801	NUT		2
27	510431701	CABLE GROMMET		2
28	510430701	ELECTRIC BOX		1
29	521888001	SCREW		4
30	734113601	WASHER		4
31	521888101	LID		1
32	731231201	HEXAGON NUT		8
33	734113601	WASHER		4
34	521888201	CONNECTION		1
35	521888301	TERMINAL BLOCK		1
36	724129151	SCREW CRPANM		4
37	521888401	LOCKWASHER		4
38	724128751	SCREW		1
39	734113601	WASHER		1
40	735213601	LOCKWASHER		1
41	521888501	ELECTRIC BOX		1
42	521888601	CABLE GROMMET		1

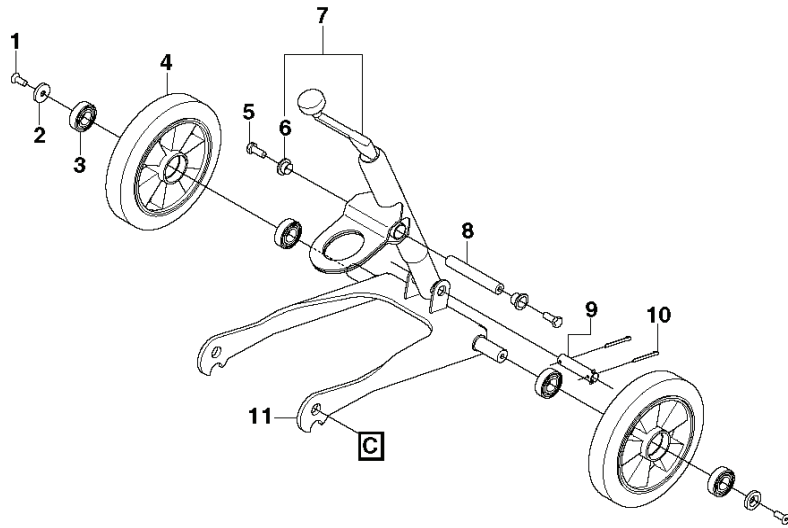
C



SURFACE PREPARATION EQUIPMENT

PXM_REF	PXM_PARTNO	DESCRIPTION	PXM_REMARK	QTY.	
1	510244801	HANDLE		2	
2	510229601	SPACER		2	
3	725550055	SCREW IHSCM		2	
4	510229301	BRACKET		4	
5	510229401	HANDLE		1	
6	510361501	SCREW IHANM		4	
7	510361701	NUT		2	
8	725250451	SCREW EHHM		2	
9	510228801	FRAME		1	
10	510227801	DAMPER		4	
11	725244971	SCREW EHHM		4	
12	510226901	FORK		1	
13	732252001	HEXAGON LOCKING NUT		3	
14	510361601	SCREW		4	
15	725649355	SCREW IHCSFM		2	
16	510228401	BUSHING		2	
17	510244401	HANDLE		2	
18	510216001	ARM		1	17
19	510227001	HOSE CLIP		1	
20	510227301	COUNTERWEIGHT		1	
21	725251171	SCREW EHHM		1	
22	510226801	FORK		1	
23	510215901	ARM		1	
24	725249971	SCREW EHHM		2	
25	522487201	SPACER		2	20

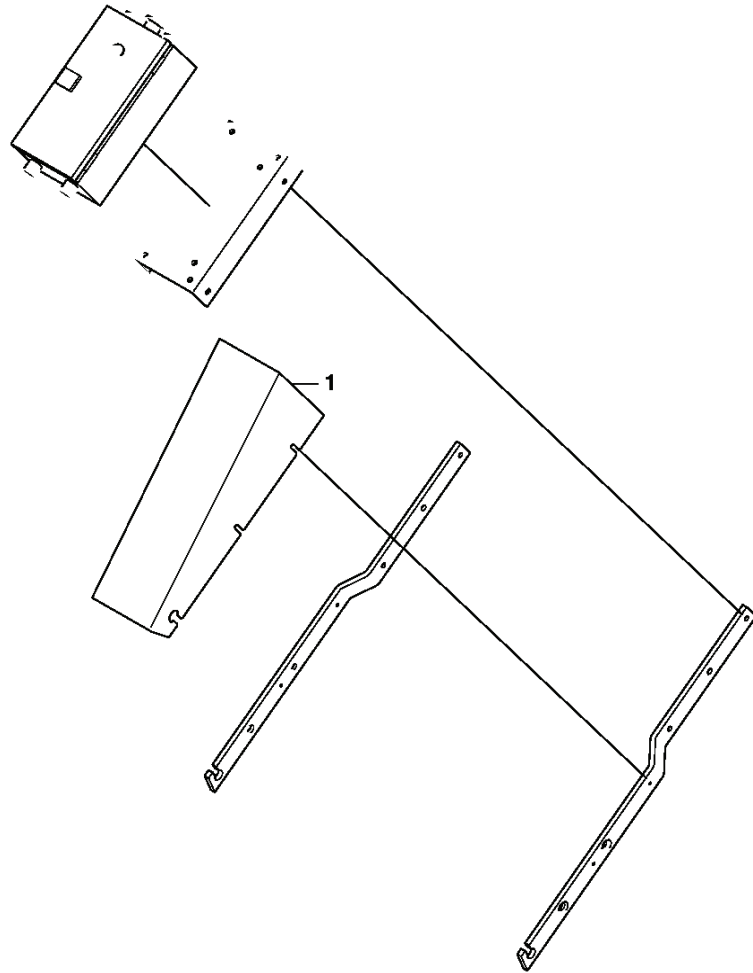
B



SURFACE PREPARATION EQUIPMENT

PXM_REF	PXM_PARTNO	DESCRIPTION	PXM_REMARK	QTY.
1	725649355	SCREW IHCSFM		2
2	510215101	WASHER		2
3	510214901	WHEEL		2
4	522519301	BALL BEARING		4
5	725649355	SCREW IHCSFM		2
6	510217501	BUSHING		2 7
7	510216801	ADJUSTMENT SCREW		1
8	510217701	SHAFT PIVOT		1
9	510215701	LOCKING PIN		1
10	721621801	PEN		2
11	510214301	CHASSIS	No longer available	1

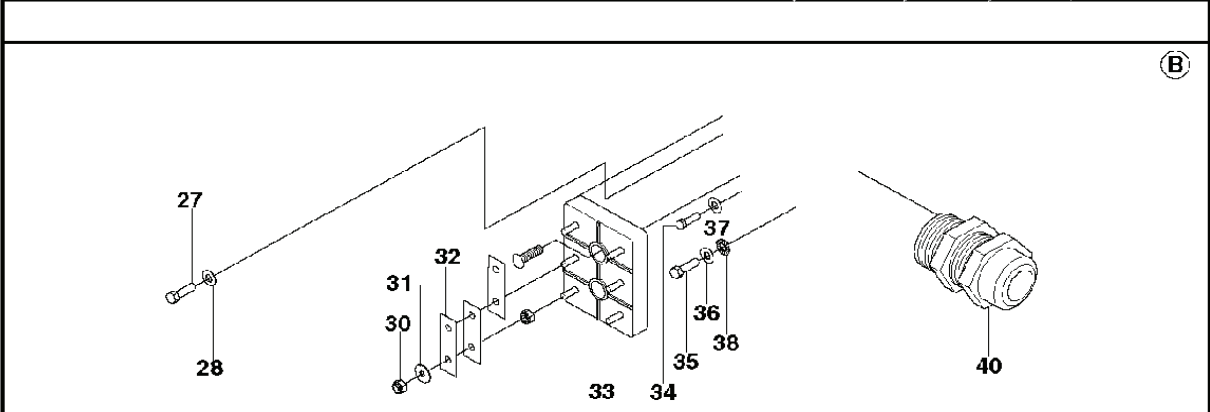
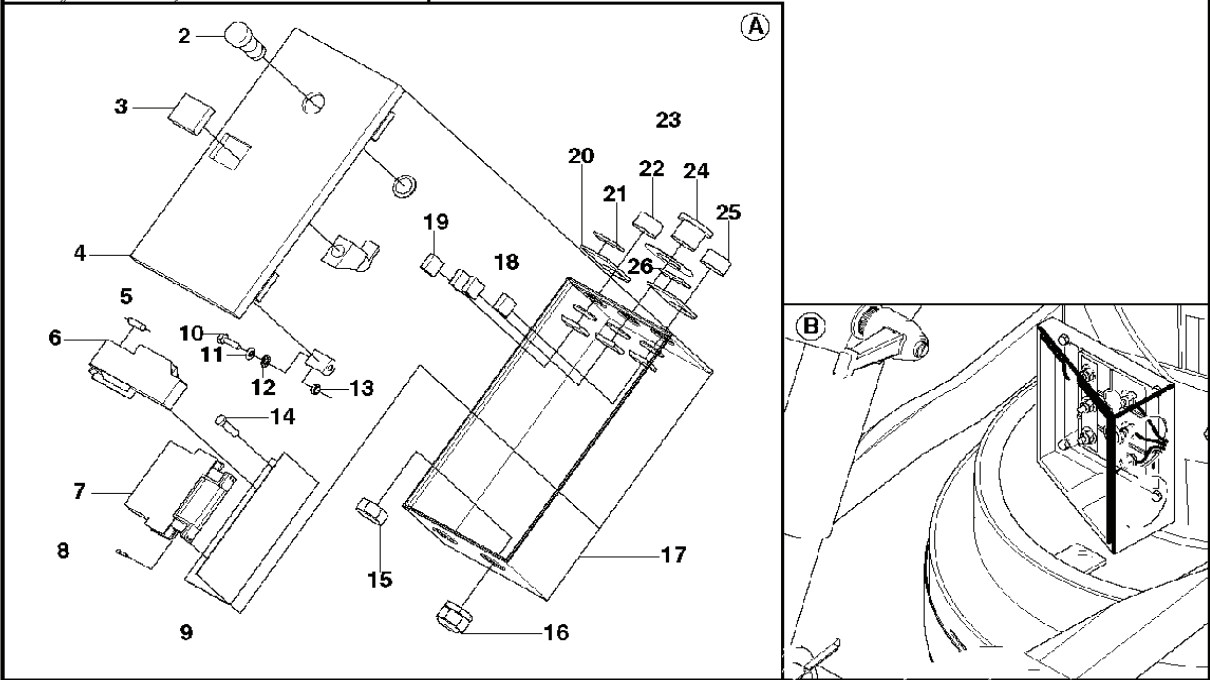
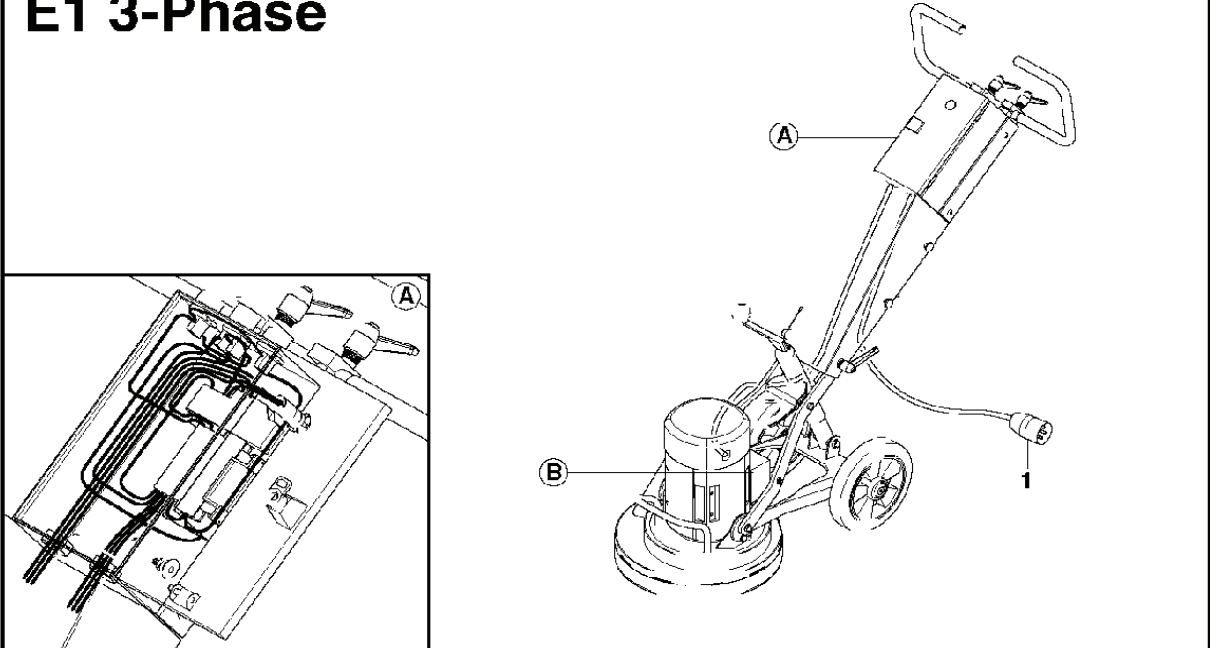
D



SURFACE PREPARATION EQUIPMENT

PXM_REF	PXM_PARTNO	DESCRIPTION	PXM_REMARK	QTY.
1	510228101	DUST COVER		1

E1 3-Phase



SURFACE PREPARATION EQUIPMENT

PXM_REF	PXM_PARTNO	DESCRIPTION	PXM_REMARK	QTY.
1	510433801	PLUG		1
2	510434801	LED		1
3	516062101	LOCK		1
4	516062201	LID		1
5	516062301	RESISTOR		1
6	579276301	PROTECTION		1
7	579276001	CONTACTOR		5
8	723128951	SCREW SLCHM		4
9	516062401	SHEET		1
10	725236871	SCREW EHHM		1
11	734115201	WASHER		2
12	735215301	LOCKWASHER		2
13	731231601	HEXAGON NUT		2
14	724136451	SCREW CRPANM		2
15	510431801	NUT		2
16	510431701	CABLE GROMMET		2
17	525638201	ELECTRIC BOX	Includes box and lid	1
18	510431501	TERMINAL BLOCK		1
19	510431401	TERMINAL BLOCK		3
20	510433001	HOLDER		2
21	510433101	SIGN		1
22	510431101	PUSH BUTTON		1
23	510431601	SIGN		1
24	510431301	PUSH BUTTON		1
25	510431201	PUSH BUTTON		1
26	510433201	SIGN		1
27	725233771	SCREW EHHM		2
28	516062901	LOCKWASHER		2
30	731231401	HEXAGON NUT		12
31	734114601	WASHER		6
32	516063101	CONNECTION PLATE		3
33	516063301	TERMINAL BLOCK		1
34	725232971	SCREW EHHM		4
35	725236671	SCREW EHHM		1
36	734115201	WASHER		1
37	516062901	LOCKWASHER		4
38	735215301	LOCKWASHER		1
40	521885001	CABLE GROMMET		1