

SPARE PARTS CATALOGUE
SURFACE PREPARATION EQUIPMENT: HUSQVARNA PG 280

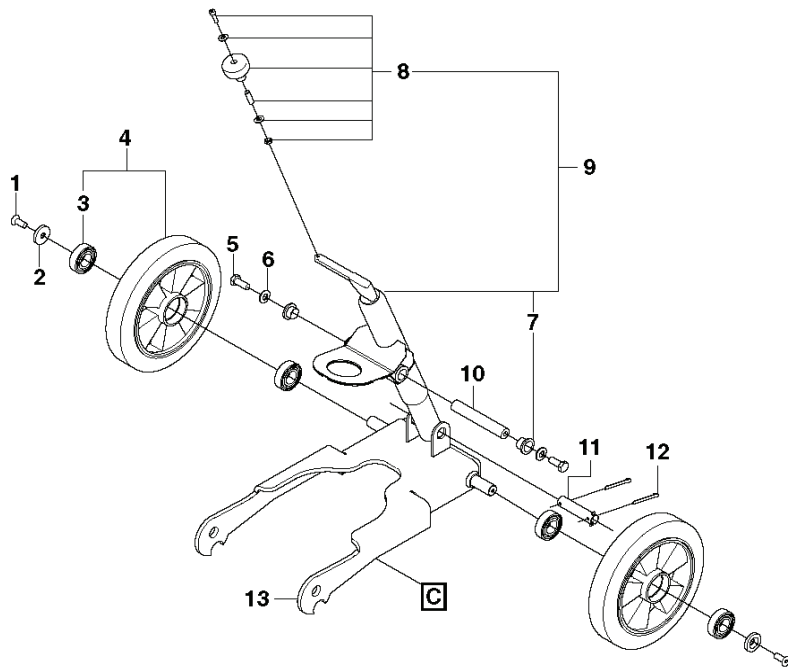
Spare Parts List

SPARE PARTS LIST

SURFACE PREPARATION EQUIPMENT

HUSQVARNA PG 280

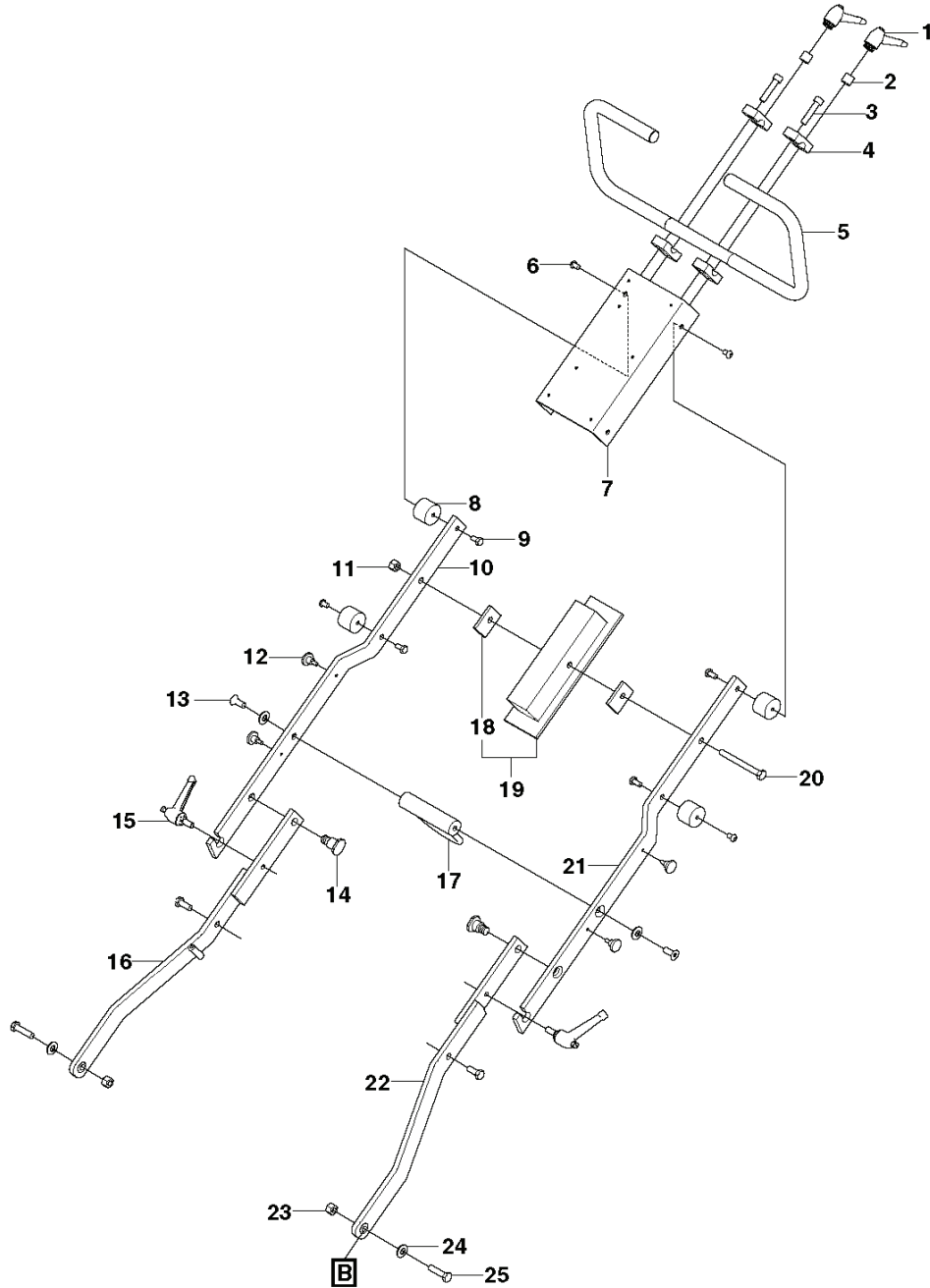
B PG 280



SURFACE PREPARATION EQUIPMENT

PXM_REF	PXM_PARTNO	DESCRIPTION	PXM_REMARK	QTY.
1	725536851	SCREW IHSCM		2
2	501321201	WASHER		2
3	738220419	BALL BEARING		4 4
4	504185501	WHEEL		2
5	725249376	SCREW EHHM		2
6	734117201	WASHER		2
7	510217501	BUSHING		2 9
8	574568901	KIT		1 9
9	574703201	ADJUSTMENT SCREW		1
10	510217701	SHAFT PIVOT		1
11	510215701	LOCKING PIN		1
12	721621601	SPLIT PIN		2
13	574566901	CHASSIS		1

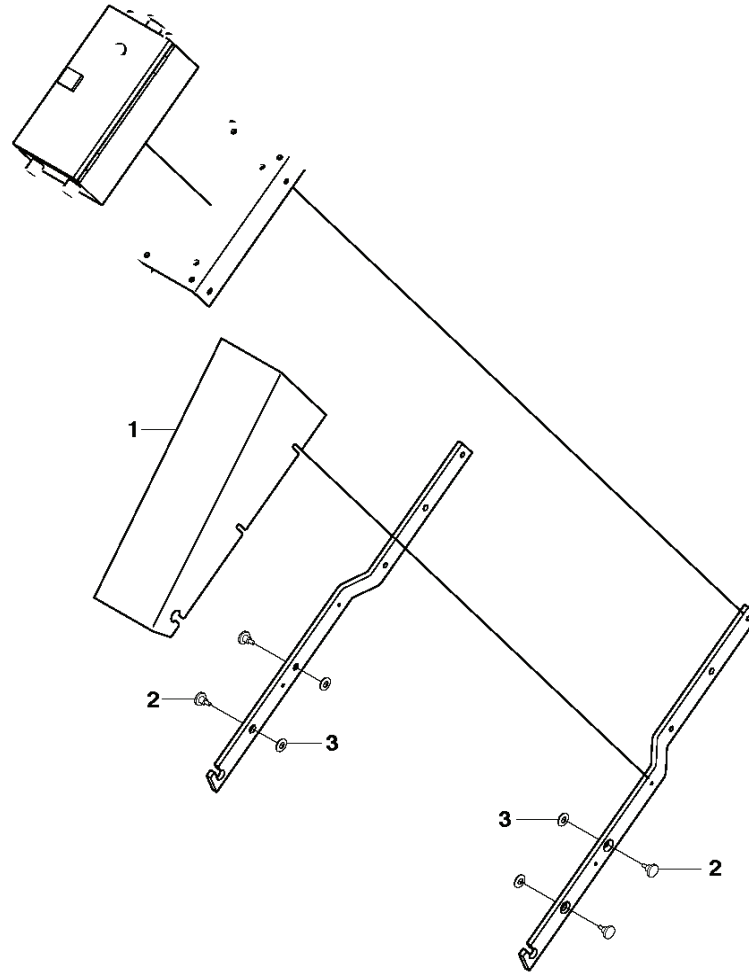
C PG 280



SURFACE PREPARATION EQUIPMENT

PXM_REF	PXM_PARTNO	DESCRIPTION	PXM_REMARK	QTY.
1	510244801	HANDLE		2
2	510229601	SPACER		2
3	725550055	SCREW IHSCM		2
4	510229301	BRACKET		4
5	510229401	HANDLE		1
6	576013801	SCREW IHANM		4
7	510228801	FRAME		1
8	510227801	DAMPER		4
9	725244971	SCREW EHHM		4
10	510226901	FORK	Right	1
11	732252001	HEXAGON LOCKING NUT		3
12	510361601	SCREW		4
13	725649355	SCREW IHCSFM		2
14	510228401	BUSHING		2
15	510228201	LOCKING HANDLE		2
16	510216001	ARM	Right	1
17	510227001	HOSE CLIP		1
18	522487201	SPACER		2
19	574555501	KIT		1
20	725251151	SCREW EHHM		1
21	510226801	FORK	Left	1
22	510215901	ARM	Left	1
23	732252001	HEXAGON LOCKING NUT		2
24	734117201	WASHER		4
25	725250081	SCREW EHHM		2

D PG 280



4

⚠ WARNING	
<p>CAUTION To reduce the risk of injury from moving parts, always before working.</p> <p>AVERTISSEMENT - DÉCONNECTER FROM SUPPLY BEFORE ANY WORKING</p> <ul style="list-style-type: none"> - To reduce the risk of electric shock, always before disconnecting or servicing. - To reduce the risk of electric shock, do not attempt to risk, store batteries. - To reduce the risk of electric shock, keep work area well ventilated dry and off the ground. - Østinson Inc. For Household and Commercial Use 	<p>ATTENTION Risque de blessure le risque de blessure lors une pièce mobile, interrompre le machine avant toute intervention d'entretien.</p> <p>AVERTISSEMENT</p> <ul style="list-style-type: none"> - DÉCONNECTER LA BANDE DE CROISSANT D'ALIMENTATION AVANT DE L'UTILISER. - Afin de réduire le risque de choc électrique, interrompre la machine avant toute opération de maintenance ou d'entretien. - Afin de réduire le risque de choc électrique, n'opérez pas la machine à la pluie, ruelles à l'humidité à l'air de l'humidité. - Afin de réduire le risque de choc électrique, gardez la ventilation de la cellule au sec et correctement sécher qu'il ne tombe pas d'eau. - Østinson Inc. Pour une utilisation domestique et professionnelle.

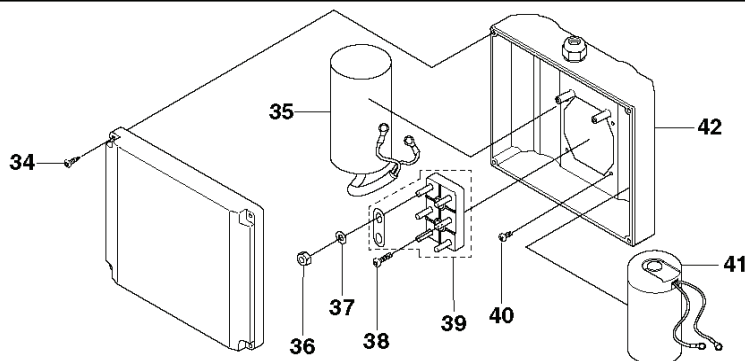
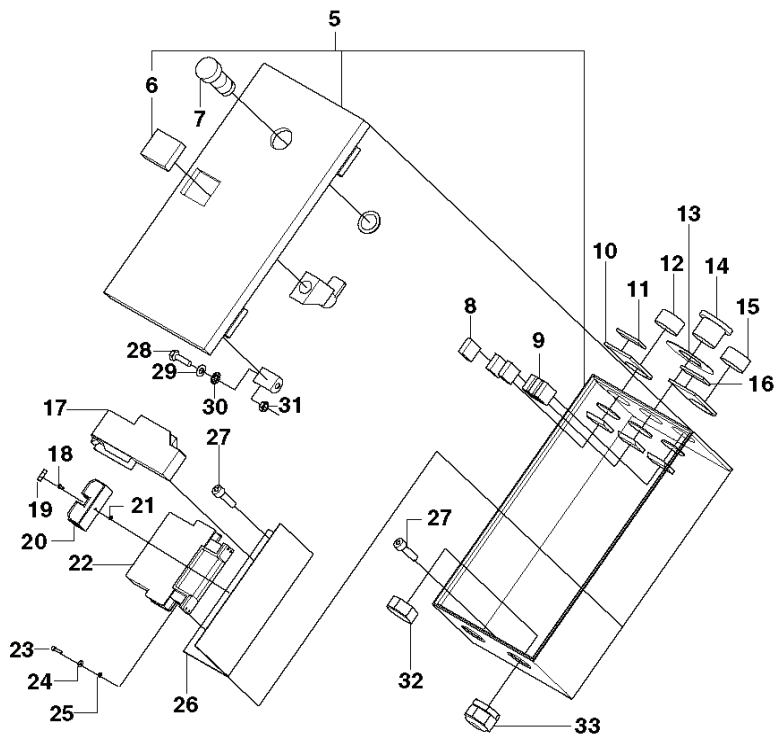
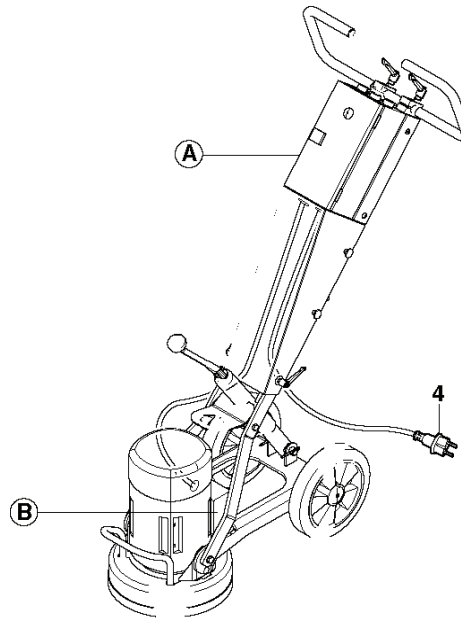
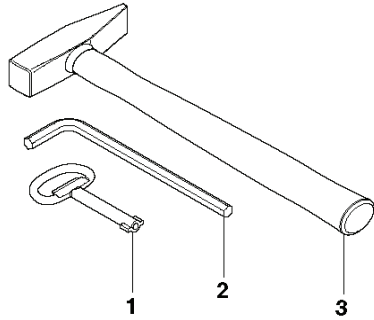
5

SURFACE PREPARATION EQUIPMENT

PXM_REF	PXM_PARTNO	DESCRIPTION	PXM_REMARK	QTY.
1	510228101	DUST COVER		1
2	510361601	SCREW		2
3	734115260	WASHER		2
4	574445701	LABEL		1
5	578310401	DECAL		1

E2 PG 280aa

1-Phase

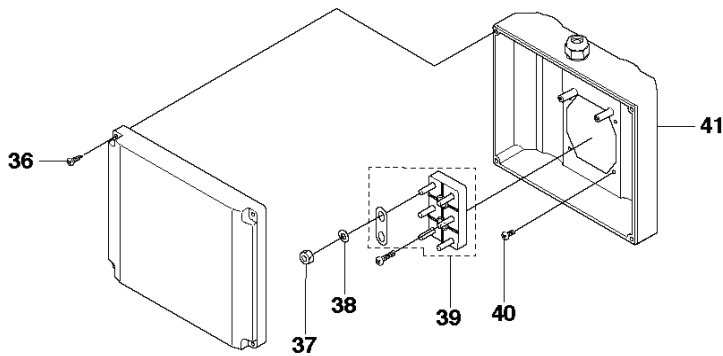
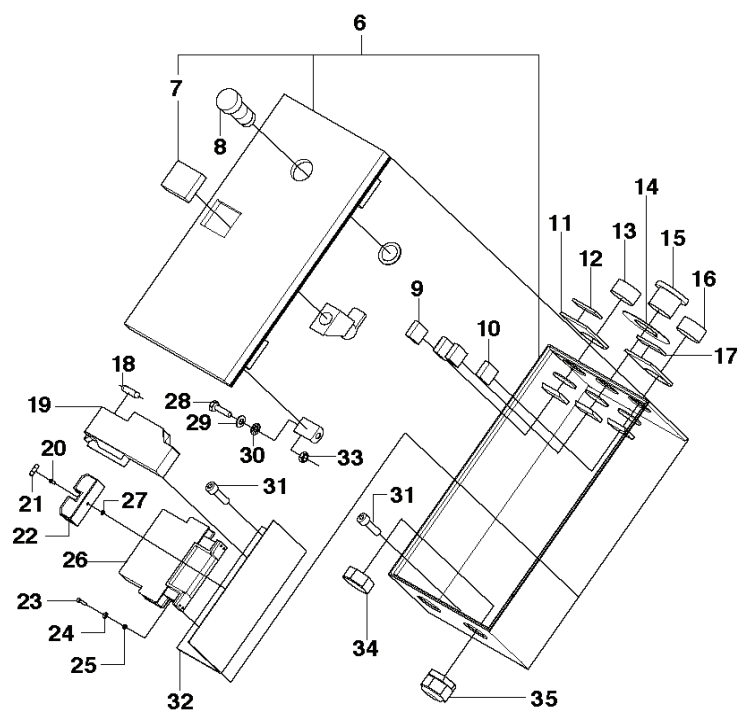
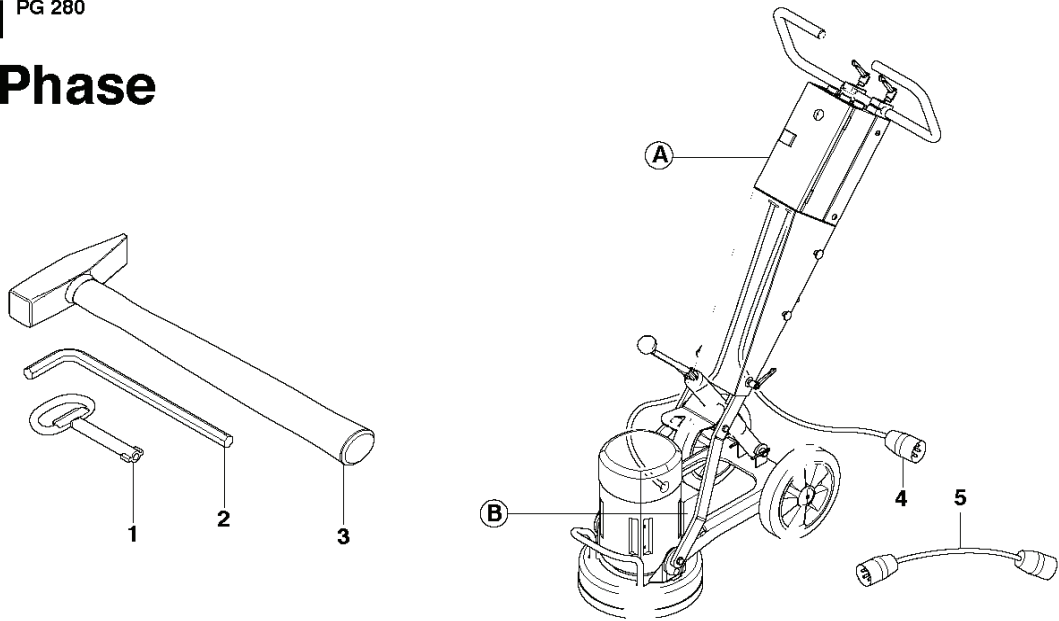


SURFACE PREPARATION EQUIPMENT

PXM_REF	PXM_PARTNO	DESCRIPTION	PXM_REMARK	QTY.
1	574441101	KEY		1
2	531119536	INBUSSCHLUESSEL 8MM		1
3	522039701	HAMMER		1
4	525841901	CABLE	Incl plug CH	1
4	525841902	CABLE	Incl plug, AUS	1
4	525841903	CABLE	Incl plug, EU	1
4	525841904	CABLE	Incl plug, 220V, US	1
4	525841912	CABLE	Incl plug, 110V, US	1
4	525841909	CABLE	Brazil	1
6	516062101	LOCK		1 5
5	525638201	ELECTRIC BOX	EU/AUS/US/JP, 230V	1
5	525638203	ELECTRIC BOX	US, 110V	1
7	510434801	LED	EU/AUS/CH/US, 220V	1
7	510434802	LED	US, 110V	1
8	510431401	TERMINAL BLOCK		3
9	510431501	TERMINAL BLOCK		3
10	510433001	HOLDER		2
11	510433101	SIGN		1
12	510431101	PUSH BUTTON	Red	1
13	510431601	SIGN		1
14	510431301	PUSH BUTTON		1
15	510431201	PUSH BUTTON	Green	1
16	510433201	SIGN		1
17	580623502	PROTECTION	220V, EU/AUS/US	1
17	580623501	PROTECTION	110V, US/UK/JP	1
18	725532501	SCREW IHSCM		1
19	525638101	FUSE		1
20	525638001	FUSE HOLDER		1
21	732251401	HEXAGON LOCKING NUT		1
22	584904101	CONTACTOR	220V, EU/AUS/US	1
22	584904301	CONTACTOR	110V, US/UK/JP	1
23	725529301	SCREW IHSCM		4
24	734113601	WASHER		4
25	732251201	HEXAGON LOCKING NUT		4
26	516062401	SHEET		1
27	725536455	SCREW IHSCM		6
28	725236471	SCREW EHHM		1
29	734115201	WASHER		2
30	735215301	LOCKWASHER		2
31	731231601	HEXAGON NUT		2
32	510431801	NUT	EU/AUS/US/JP, 230V	2
33	575489802	GROMMET	US/CAN, 110V	1
32	585875201	NUT	US/CAN, 110V	1
33	510431701	CABLE GROMMET	EU/AUS/US/JP, 230V	2
34	729528301	SCREW CRPANT		4
35	577841001	CAPACITOR	100-120V, 60Hz, US/JP	1
35	577841002	CAPACITOR	200-230V EU	1
35	577841003	CAPACITOR	200-230V, US/CAN/Brazil	1
35	577841004	CAPACITOR	100-120V, 50Hz, UK/JP	1
36	731231401	HEXAGON NUT		6
37	734114571	WASHER		6
39	577812601	TERMINAL BLOCK		1
40	724128951	SCREW		4
41	577812501	CAPACITOR	100-120V, 60Hz, US/JP	1
41	577812502	CAPACITOR	200-230V, EU/US/CAN/ Brazil	1
41	577812504	CAPACITOR	110V, 50Hz, UK/JP	1
42	577812203	BOX		1

E1 PG 280

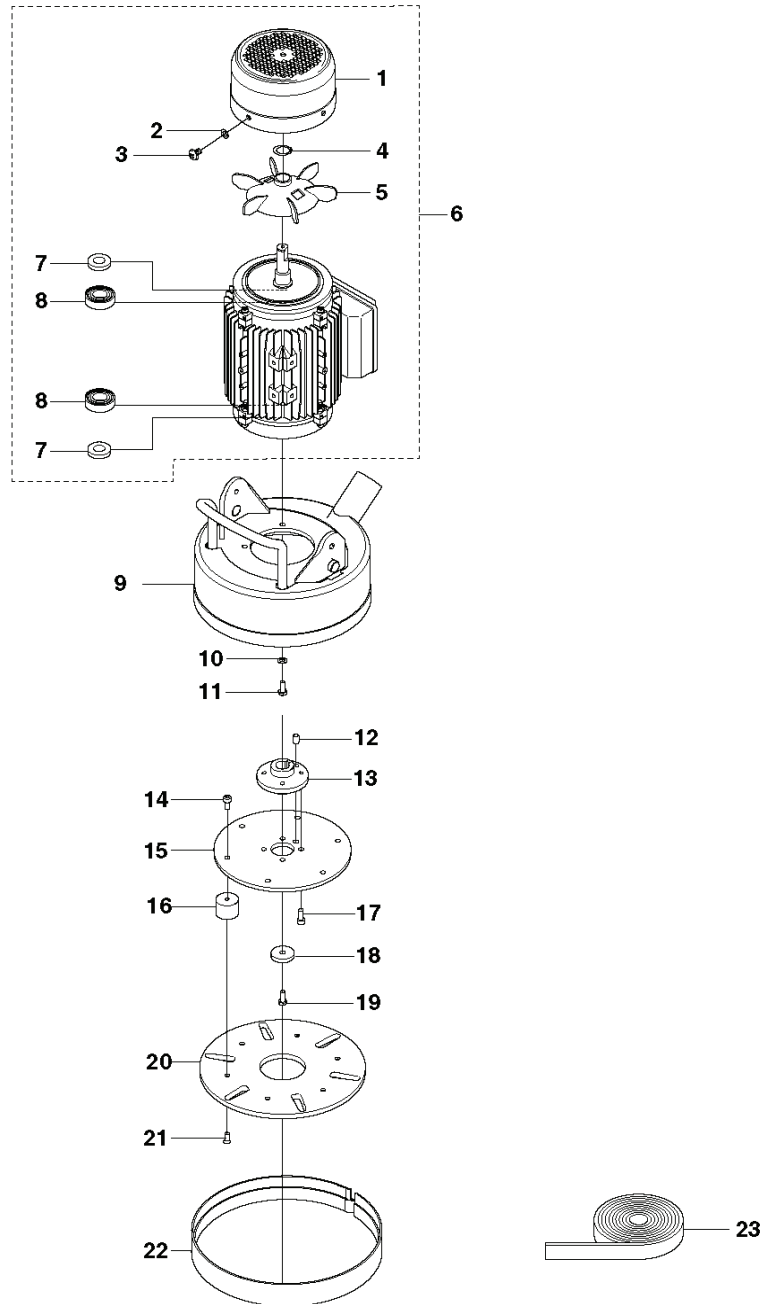
3-Phase



SURFACE PREPARATION EQUIPMENT

PXM_REF	PXM_PARTNO	DESCRIPTION	PXM_REMARK	QTY.
1	574441101	KEY		1
2	531119536	INBUSSCHLUESSEL 8MM		1
3	522039701	HAMMER		1
4	529316101	CABLE	Incl plug	1
5	574524101	CABLE ASSY	Australia	1
6	525638201	ELECTRIC BOX		1
7	516062101	LOCK		1 6
8	510434801	LED		1
9	510431401	TERMINAL BLOCK		3
10	510431501	TERMINAL BLOCK		1
11	510433001	HOLDER		2
12	510433101	SIGN		1
13	510431101	PUSH BUTTON	Red	1
14	510431601	SIGN		1
15	510431301	PUSH BUTTON		1
16	510431201	PUSH BUTTON	Green	1
17	510433201	SIGN		1
18	516062301	RESISTOR		1
19	579276301	PROTECTION		1
20	725532501	SCREW IHSCM		1
21	525638101	FUSE		2
22	525882601	FUSE HOLDER		1
23	725529301	SCREW IHSCM		4
24	734113601	WASHER		4
25	732251201	HEXAGON LOCKING NUT		4
26	579276001	CONTACTOR		1
27	732251401	HEXAGON LOCKING NUT		1
28	725236471	SCREW EHHM		1
29	734115201	WASHER		2
30	735215301	LOCKWASHER		2
31	725536455	SCREW IHSCM		6
32	516062401	SHEET		1
33	731231601	HEXAGON NUT		2
34	510431801	NUT		2
35	510431701	CABLE GROMMET		2
36	729528301	SCREW CRPANT		4
37	731231401	HEXAGON NUT		6
38	734114571	WASHER		6
39	577812601	TERMINAL BLOCK		1
40	724128951	SCREW		4
41	577812203	BOX		1

A1 PG 280 3-Phase

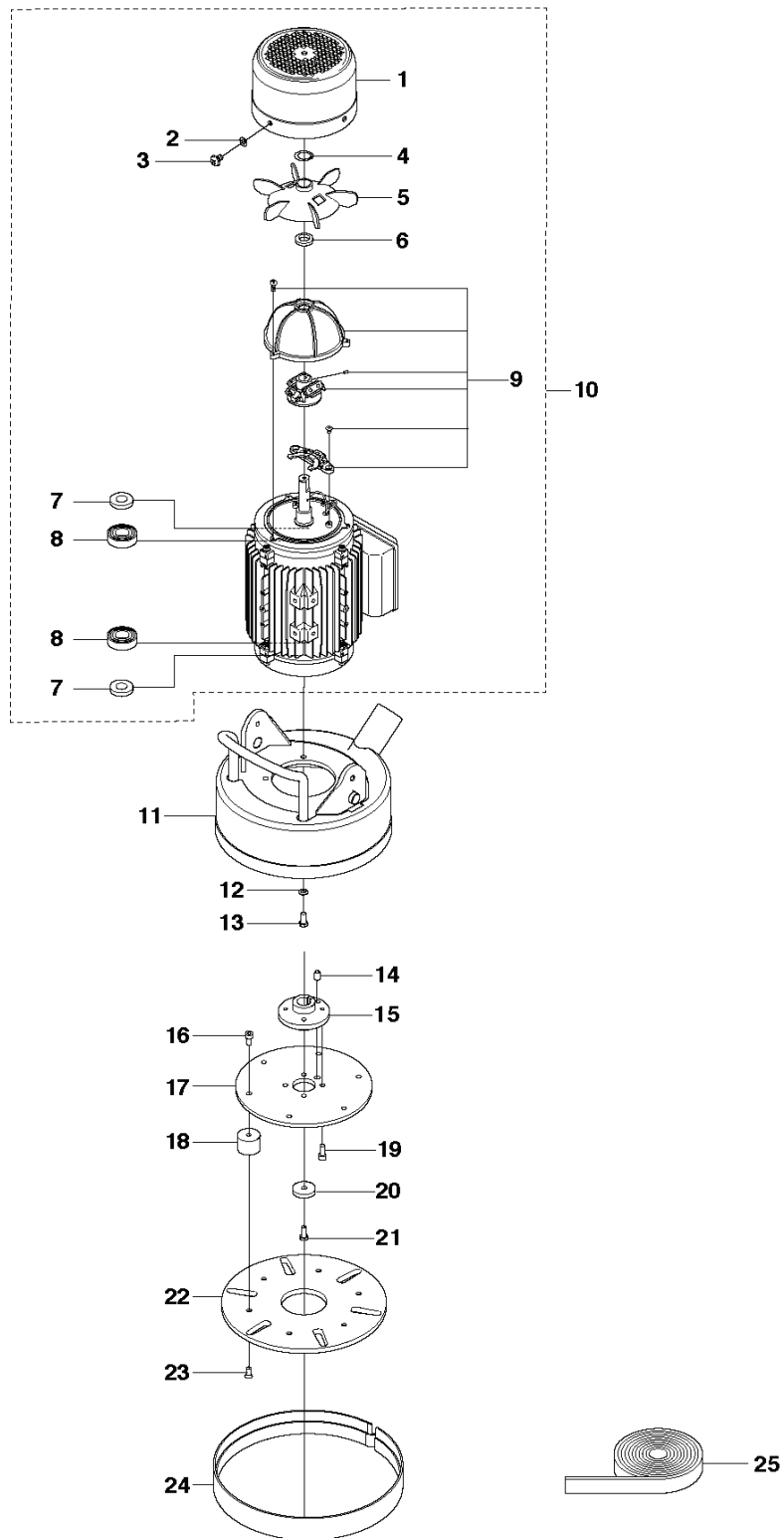


SURFACE PREPARATION EQUIPMENT

PXM_REF	PXM_PARTNO	DESCRIPTION	PXM_REMARK	QTY.	
1	577812402	FAN COVER		1	6
2	734114571	WASHER		4	6
3	724132301	SCREW CRPANM		4	6
4	735312100	CIRCLIP		1	6
5	577812301	FAN		1	6
6	510208402	MOTOR		1	
7	577983901	RADIAL SEAL		2	6
8	738220624	BALL BEARING		2	6
9	574703101	MOTOR BRACKET		1	
10	734116301	WASHER		4	
11	725545501	SCREW IHSCM		4	
12	721440901	PEN		1	
13	510213301	HUB		1	
14	725644755	SCREW IHCSFM		6	
15	510213001	ATTACHMENT PLATE		1	
16	510213101	DAMPER		6	
17	725545155	SCREW IHSCM		4	
18	510235101	WASHER		1	
19	725249571	SCREW EHHM		1	
20	522677301	HOLDER		1	
21	725644955	SCREW IHCSFM		6	
22	574272001	RUBBER SKIRT		1	
23	525555101	STRIP		1	

A2 PG 280

1-Phase



SURFACE PREPARATION EQUIPMENT

PXM_REF	PXM_PARTNO	DESCRIPTION	PXM_REMARK	QTY.	
1	577812401	FAN COVER		1	10
2	734114571	WASHER		4	10
3	724132301	SCREW CRPANM		4	10
4	735312100	CIRCLIP		1	10
5	577812301	FAN		1	10
6	577983701	V-RING		1	10
7	577983901	RADIAL SEAL		2	10
8	738220624	BALL BEARING		2	10
9	577812801	CENTRIFUGAL CLUTCH	100-120V, 60Hz, US/CAN/ JP	1	10
9	577812802	CENTRIFUGAL CLUTCH	200-230V, EU/AUS	1	10
9	577812803	CENTRIFUGAL CLUTCH	200-230V, US/CAN/Brazil	1	10
9	577812804	CENTRIFUGAL CLUTCH	100-120V, 50Hz, UK/JP	1	10
10	510435002	MOTOR	200-230V, EU/AUS	1	
10	576018001	MOTOR	100-120V, 60Hz, US/CAN/ JP	1	
10	510435003	MOTOR	200-230V, US/CAN	1	
10	578155201	MOTOR	100-120V, 50 Hz, UK/JP	1	
11	574703101	MOTOR BRACKET		1	
12	734116301	WASHER		4	
13	725545501	SCREW IHSCM		4	
14	721440901	PEN		1	
15	510213301	HUB		1	
16	725644755	SCREW IHCSFM		6	
17	510213001	ATTACHMENT PLATE		1	
18	510213101	DAMPER		6	
19	725545155	SCREW IHSCM		4	
20	510235101	WASHER		1	
21	725249571	SCREW EHHM		1	
22	522677301	HOLDER		1	
23	725644955	SCREW IHCSFM		6	
24	574272001	RUBBER SKIRT		1	
25	525555101	STRIP		1	