

# 2.2 OPEN RETREAT

## Technical Specifications

Providing a space to escape without the formality of a meeting room, OPEN RETREAT can integrate into workplace designs as an additional meeting zone, quiet space, or for team-work.

**PERFORMANCE**  
Acoustic materials used for internal and external surfaces provide ambient noise reduction and minimised noise reverberation from the surrounding office.

**ENVIRONMENTAL DATA**  
60% recycled content to PET.  
Sustainably sourced timber FSC timber available on request.

**PLUG AND PLAY**  
Quick connection to mains power using standard sockets.

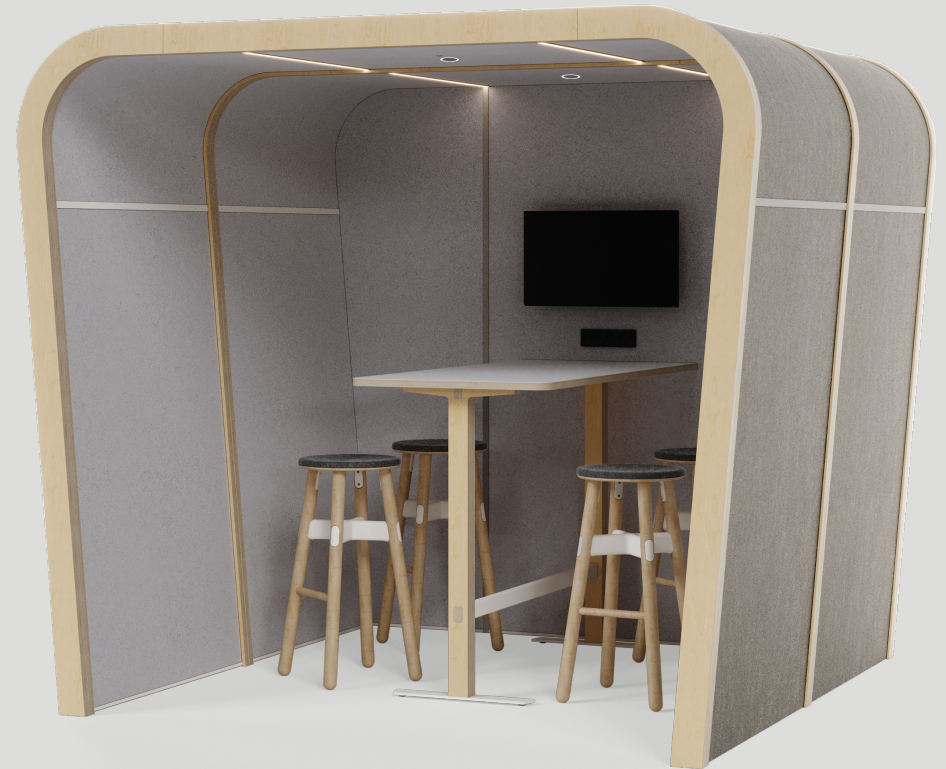
**OVERHEAD DOWN LIGHTS**  
Dimmable touch activated

**ACCESS**  
RETREAT sits flush on the floor with a rubber seal for acoustic protection, there is no step or floor base to impede entry.

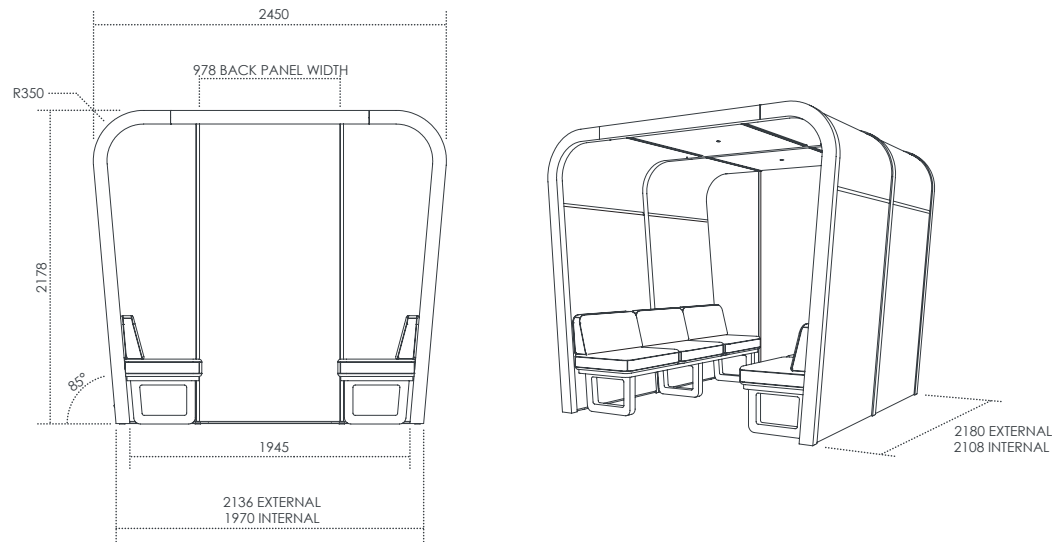
**SERVICES**  
Seamless mechanical services integration with allowances for sprinklers and smoke detector.

**INSTALLATION**  
2.2 OPEN RETREAT requires 2 men for 4-5 hours.

**WARRANTY**  
7 year structural warranty.



# PRODUCT DATA



## Product dimensions

External dimensions	2135/2450W x 2180D x 2180mmH
Internal dimensions	1970/2286W x 2050D x 2092mmH
People	4-6

## Power

Mains supply	10 amps
Cord from booth	3 metres
Output	3 gang; 2x Power, 1x USB A, 1x USB C

## Socket options



## Lighting

Input	24V
Lumen output	85lm/W
LED options	Natural white
User motion detected to	30sec / 3min / 10min

## Motion sensor

Passive infrared sensor	
Running time options	30sec / 3min / 10min

## Overhead down light

Natural white	
Touch activated dimmable	

## PET

Composition	100% PET, 60-68% recycled
Sustainability	Greentag certified. Greenrate level: A
VOC Emission	<0.004mg/m <sup>2</sup> /hr

## Structure

Faced plywood	64mm hoop pine plywood
Internal	Acoustic wall paneling
External	Acoustic wall covering

## Floor

Levelling	Adjustable glides
-----------	-------------------

## Install

Time	4-5 hours
People required	2

## Fire safety

Fire alarm	Provision provided on request
Smoke detection	Provision provided on request
Sprinkler compatible	Provision provided on request

## Cleaning

PET / Upholstery	Refer to product care and maintenance guide
Timber	Refer to product care and maintenance guide

# OPTIONS & FINISHES

## 2.2 OPEN RETREAT furniture options

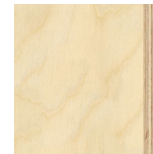


Meeting table low or high  
 Dimensions 1500x700x25mm  
 Height from floor 720mmH / 1050mmH  
 Worktop finish White or black worktop  
 Edge finish Natural or black stain  
 Base finish Natural or black stain



RETREAT 2.2 Sofa  
 Overall dimensions 2050Dx564Wx725mmH  
 Seat height 450mmH  
 backrest height 725mmH  
 Base edge finish Natural or black stain  
 Leg finish Natural or black stain

### Timber finishes



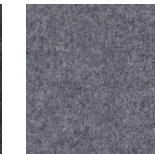
Natural



Black Stain



Blazer Silcoates



Blazer Surrey



Blazer St Andrews

### Interior / exterior finishes



454



908



101



442



402



444



447



365



468



580



384



349



330



269



542



550



124



167



487



274



551



660

\*Contact Square-Bear Acoustics for custom colour options.

## **SQUARE BEAR**

© Copyright 2021

All Rights Reserved

### **HEAD OFFICE**

Unit 6/80 Jemma Road, Prestons

New South Wales 2170, Australia

P: +61 (0)2 9189 1444

[sales@square-bear.com](mailto:sales@square-bear.com)

### **SYDNEY SHOWROOM**

Level 3/140 William Street, Woolloomooloo

New South Wales 2011, Australia

[www.square-bear.com](http://www.square-bear.com)