

# ETCH

## Technical Specifications

ETCH is a mobile whiteboard with multiple surface options including whiteboard, pinboards and shelves for a flexible, productive work environment. The tapered design of ETCH complements the RETREAT product range and nests neatly in between when not in use.

ETCH is available in a variety of combinations including:

- Magnetic Whiteboard
- Pinboard
- Cantilever Planter
- Magnetic Whiteboard / Pinboard
- Magnetic Whiteboard / Cantilever Planter
- Pinboard / Cantilever Planter



Square  
Bear

ETCH  
TECHNICAL SPECIFICATIONS

sales@square-bear.com  
www.square-bear.com

# Product Data

## ETCH WHITEBOARD

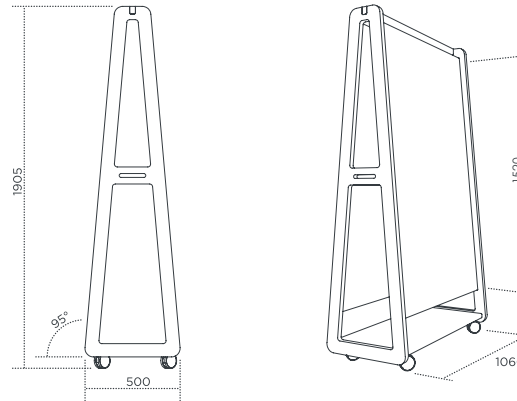
Full panel magnetic whiteboard.- both sides

### Product dimensions

Overall dimensions 1060W x 500/190D x 1905mmH  
Whiteboard panel 1000W x 1520mmH

### Structure

Plywood panels 32mm hoop pine plywood  
Whiteboard Magnetic whiteboard substrate  
Internal shelf inlay 12mm PET panel



## ETCH PINBOARD

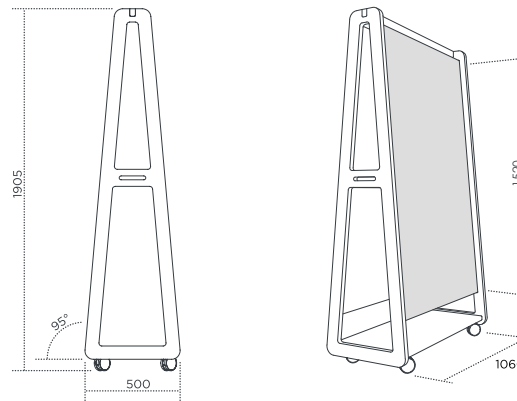
Full panel acoustic pinboard - both sides

### Product dimensions

Overall dimensions 1060W x 500/190D x 1905mmH  
Pinboard panel 1000W x 1520mmH

### Structure

Plywood panels 32mm hoop pine plywood  
Pinboard 12mm PET panel  
Internal shelf inlay 12mm PET panel



# Product Data

## ETCH WHITEBOARD / PINBOARD

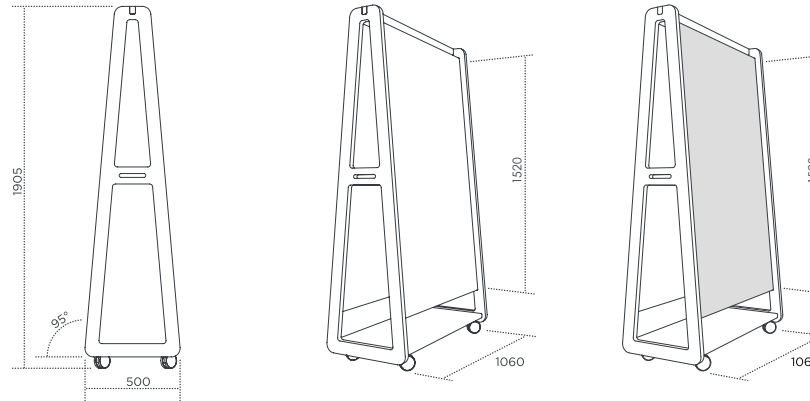
Full panel magnetic whiteboard  
Full panel acoustic pinboard

### Product dimensions

Overall dimensions 1060W x 500/190D x 1905mmH  
Whiteboard panel 1000W x 1520mmH  
Pinboard panel 1000W x 1520mmH

### Structure

Plywood panels 32mm hoop pine plywood  
Whiteboard Magnetic whiteboard substrate  
Pinboard 12mm PET panel  
Internal shelf inlay 12mm PET panel



## ETCH HALF WHITEBOARD / HALF PINBOARD

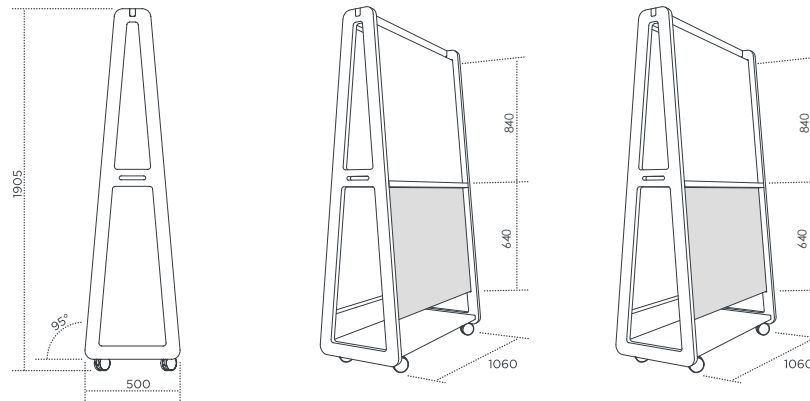
Top panel magnetic whiteboard with marker tray - both sides  
Bottom panel acoustic pinboard - both sides

### Product dimensions

Overall dimensions 1060W x 500/190D x 1905mmH  
Whiteboard panel 1000W x 840mmH  
Pinboard panel 1000W x 640mmH

### Structure

Plywood panels 32mm hoop pine plywood  
Whiteboard Magnetic whiteboard substrate  
Pinboard 12mm PET panel  
Internal shelf inlay 12mm PET panel



# Product Data

## ETCH CANTILEVER / WHITEBOARD

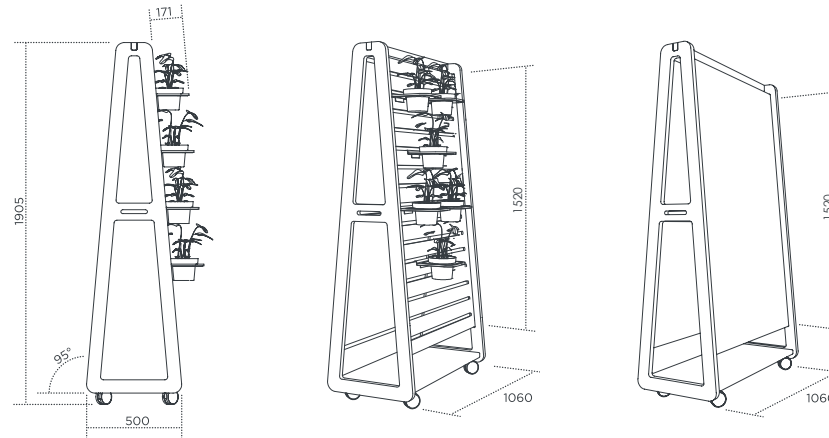
Blending ETCH with our 100 ACRE product range we have designed ETCH CANTILEVER PLANTER to provide a whiteboard on one side and a planter panel on the other. Mobile castors provide the option to move the product around the office for flexible team-based task work or to create privacy screening and green walls.

### Product dimensions

Overall dimensions	1060W x 500/190D x 1905mmH
Whiteboard panel	1000W x 1520mmH
Plywood cantilever panel	1000W x 1520mmH
Pot size	150mm DIA (6x supplied)

### Structure

Plywood panels	32mm hoop pine plywood
Plywood planter panel	19mm / 9.5mm mmH hoop pine plywood
Whiteboard	Magnetic whiteboard substrate
Internal shelf inlay	12mm PET panel



## ETCH CANTILEVER / PINBOARD

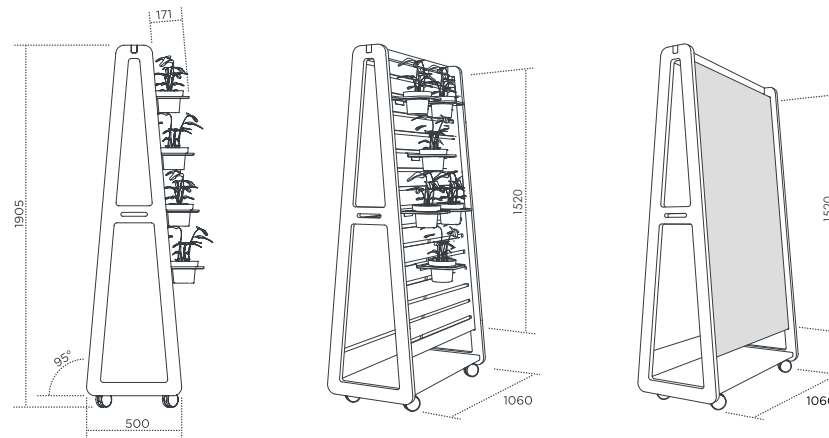
Half panel magnetic whiteboard with marker tray.  
Full panel cantilever planter

### Product dimensions

Overall dimensions	1060W x 500/190D x 1905mmH
Pinboard panel	1000W x 1520mmH
Plywood cantilever panel	1000W x 1520mmH
Pot size	150mm DIA (6x supplied)

### Structure

Plywood panels	32mm hoop pine plywood
Plywood planter panel	19mm / 9.5mm mmH hoop pine plywood
Pinboard	12mm PET panel
Internal shelf inlay	12mm PET panel



# Product Data

## ETCH CANTILEVER

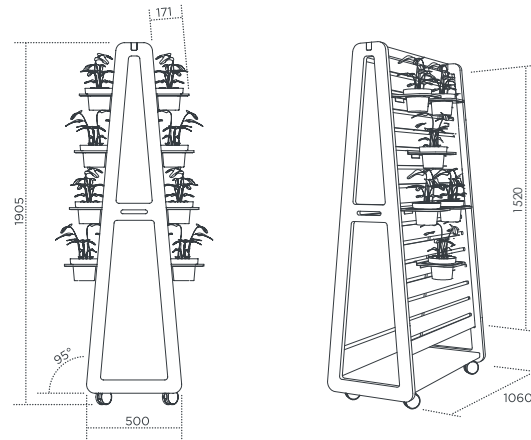
Full panel cantilever planter - both sides

### Product dimensions

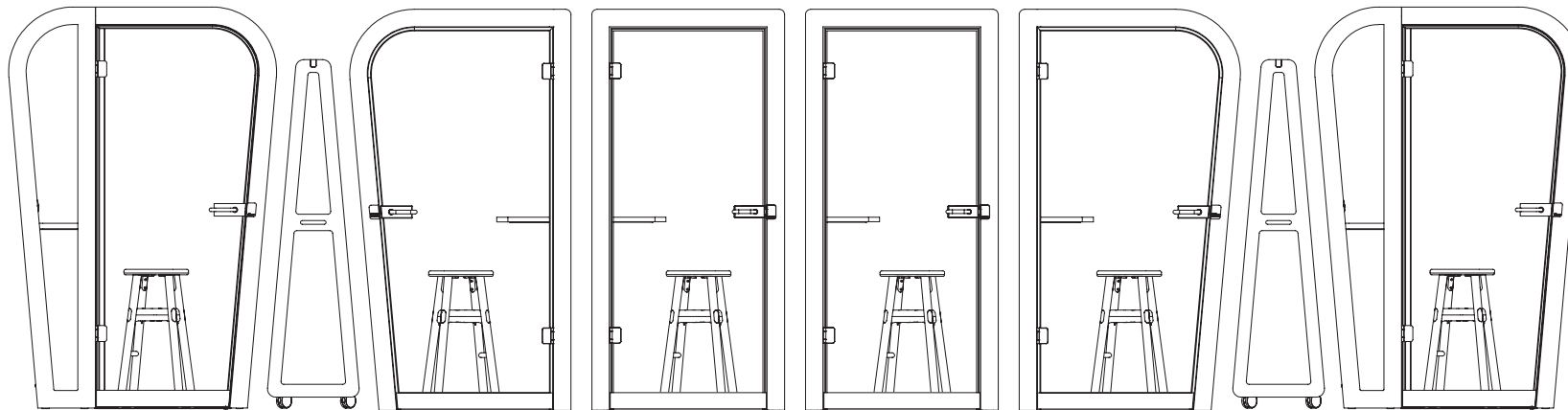
Overall dimensions 1060W x 500/190D x 1905mmH  
 Plywood cantilever panel 1000W x 1520mmH  
 Pot size 150mm DIA (12x supplied)

### Structure

Plywood panels 32mm hoop pine plywood  
 Plywood planter panel 19mm / 9.5mm mmH hoop pine plywood  
 Internal shelf inlay 12mm PET panel



## ETCH nesting with RETREAT acoustic booths



# Product Data & Finishes

## Product data - common for all products

### PET

Composition	100% PET, 60-68% recycled
Sustainability	Greentag certified. Greenrate level: A
VOC emission	<0.004mg/m <sup>2</sup> /hr

### Cleaning

PET / Upholstery	Refer to product care and maintenance guide
Whiteboard	
Timber	Refer to product care and maintenance guide

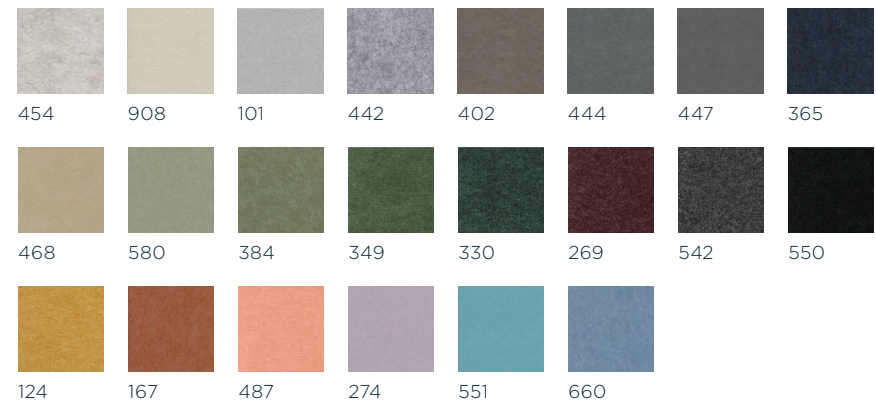
## Timber finishes



Natural

Black Stain

## Pinboard panel finishes



\*Contact Square-Bear Acoustics for custom colour options.

## **SQUARE BEAR**

© Copyright 2021

All Rights Reserved

### **HEAD OFFICE**

Unit 6/80 Jedda Road, Prestons

New South Wales 2170, Australia

P: +61 (0)2 9189 1444

[sales@square-bear.com](mailto:sales@square-bear.com)

### **SYDNEY SHOWROOM**

Level 3, 140 William Street, Woolloomooloo

New South Wales 2011, Australia

[www.square-bear.com](http://www.square-bear.com)