

RETREAT 1.0

Technical Specifications

Designed for a private and peaceful drop in space to make a phone call, attend a virtual meeting, or focus on a task, RETREAT 1.0 is traditional in its rectangular geometry and fits neatly into any office space, coordinating with the complete RETREAT range to offer flexibility for workplace design. Standard features include comfortable ventilation, a fixed or drop-down table top, and a built in dimmable VC light that allows the user to create cool to warm skin tones as desired during virtual meetings.



VENTILATION

Low noise, sensor-controlled ventilation system with constant air exchange via top and base outlets with internal fan systems.



ENVIRONMENTAL DATA

60% recycled content to PET.
Sustainably sourced timber FSC timber available on request.



SERVICES

Seamless mechanical services integration with allowances for a sprinkler and smoke detector.



VC LIGHT

Dimmable touch activated



PERFORMANCE

Acoustic materials used for internal and external surfaces provide ambient noise reduction and minimise noise reverberation from the surrounding office.



ACCESS

RETREAT sits flush on the floor with a rubber seal for acoustic protection, there is no step or floor base to impede entry.



PLUG AND PLAY

Quick connection to mains power using standard sockets.



WARRANTY

7 year structural warranty.

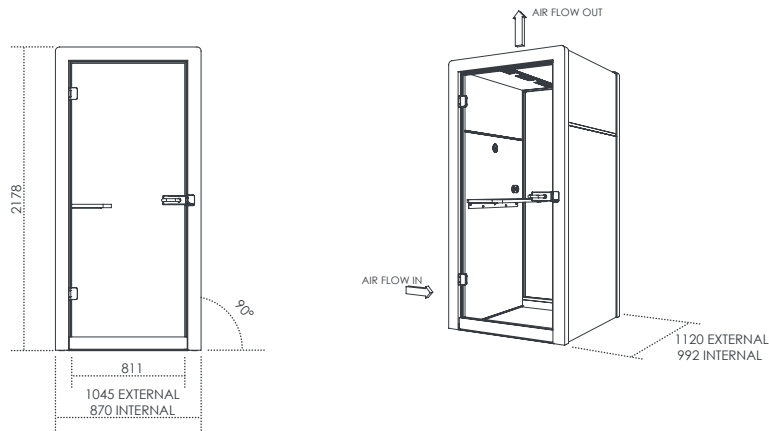


INSTALLATION

RETREAT 1.0 requires 2 men for 2-3 hours.



PRODUCT DATA



Product dimensions

External dimensions	1045W x 1120D x 2178mmH
Internal dimensions	870W x 990D x 2092mmH
People	1

Ventilation

QTY of fans	4 total; 2 draw in through side, 2 draw out through ceiling
Air flow rate	117.2CFM
Input	24V DC
User motion detected to	30sec / 3min / 10min

Power

Mains supply	10 amps
Cord from booth	3 metres
Output	2 gang; 1x Power, 1x USB A, 1x USB C

Socket options



Lighting

Power usage	9.6W
Input	24V
Lumen output	85lm/W
LED options	Natural white
User motion detected to	30sec / 3min / 10min

Motion sensor

Passive infrared sensor	
Running time options	30sec / 3min / 10min

VC light

Natural white	
Touch activated dimmable	

PET

Composition	100% PET, 60-68% recycled
Sustainability	Greentag certified. Greenrate level: A
VOC Emission	<0.004mg/m ² /hr

Structure

Faced plywood	64mm hoop pine plywood
Internal	Acoustic wall paneling
External	Acoustic wall covering

Door

Door dimensions	846W x 2069H x 8mm frameless toughened glass
Door weight	20kg
Disabled access	No wheelchair access - disability accessible
Door hardware	Stainless steel or matte black
Drop seal	Engaged when door is closed

Floor

Levelling	Adjustable glides
Floor	No floor - sealed perimeter

Install

Time	2-3 hours
People required	2

Fire safety

Fire alarm	Provision provided on request
Smoke detection	Provision provided on request
Sprinkler compatible	Provision provided on request

Cleaning

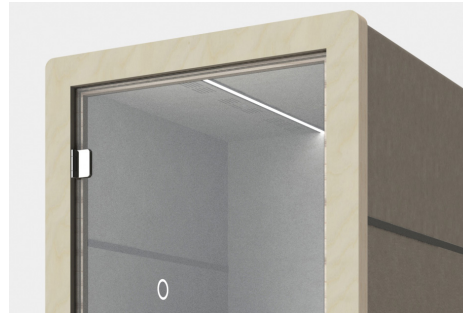
PET / Upholstery	Refer to product care and maintenance guide
Timber	Refer to product care and maintenance guide

OPTIONS & FINISHES

RETREAT 1.0 back options



Glass back



PET back

RETREAT 1.0 table options



Fixed table

Dimensions 880x320x32mm
 Height from floor 1050mmH
 Worktop finish White or black worktop
 Edge finish Natural or black stain



Fold down table

Dimensions 880x320x18mm
 Height from floor 1050mmH
 Worktop finish White or black worktop
 Edge finish White or black
 Shelf finish Natural or black stain edge

Timber finishes

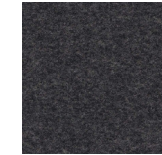


Natural

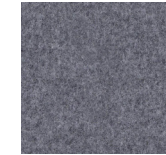


Black Stain

Stool upholstery finishes



Blazer Silcoates



Blazer Surrey



Blazer St Andrews

Interior / exterior finishes



454



908



101



442



402



444



447



365



468



580



384



349



330



269



542



550



124



167



487



274



551



660

*Contact Square-Bear Acoustics for custom colour options.

SQUARE BEAR

© Copyright 2021

All Rights Reserved

HEAD OFFICE

Unit 6/80 Jemma Road, Prestons

New South Wales 2170, Australia

P: +61 (0)2 9189 1444

sales@square-bear.com

SYDNEY SHOWROOM

Level 3/140 William Street, Woolloomooloo

New South Wales 2011, Australia

www.square-bear.com