

100 ACRE

Technical Specifications

The 100 ACRE product range suits a variety of mobile furniture applications including shelving, planters, and bench seating. Promoting wellbeing through both ergonomic and biophilic design principles, 100 ACRE introduces movement and plants into the workplace providing multiple benefits to employees including better health, cleaner air, and an increase in mental focus.

100 ACRE planter shelves and planter benches are easily incorporated into workplace layouts blending with the shelving units and other products from the Square Bear range. Including green walls and foliage in the workplace can assist to lower stress, reduce pollutant gases and airborne dust, and to create an aesthetically pleasing feel good environment.



Product Data

100 ACRE TRELLIS

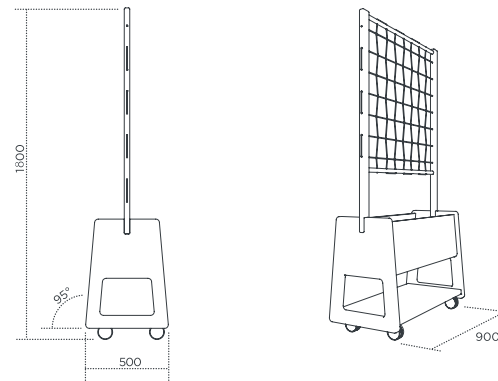
Adding a green wall without the need for a structural component, 100 ACRE TRELLIS can move around the office to create a privacy barrier, a separate working area, décor, change of scene, or living sculpture.

Product dimensions

Overall dimensions 900W x 500/405D x 1800mmH
Pot size 200mm DIA

Structure

Plywood panels 32mm hoop pine plywood
PET covering PET panel
Trellis 32mm hoop pine plywood



100 ACRE BENCH PLANTER

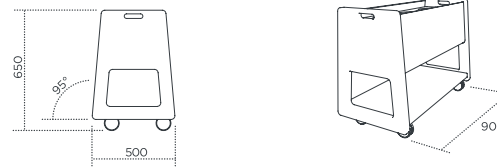
BENCH PLANTER enhances the workspace with greenery, contributing to employee well-being with natural aesthetics. Mobile castors provide flexibility within the office layout and offer a solution for creating a privacy barrier where needed.

Product dimensions

Overall dimensions 900W x 500/405D x 650mmH
Pot size 200mm DIA

Structure

Plywood panels 32mm hoop pine plywood
Acoustic inlay PET panel



100 ACRE BENCH SEAT

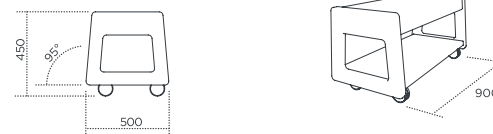
BENCH SEAT is mobile, easily moved and can be used for seating whenever required. The BENCH product range nests neatly in between RETREAT pods when not in use.

Product dimensions

Overall dimensions: 900W x 500/440D x 450mmH

Structure

Plywood panels 32mm hoop pine plywood
Seat Upholstered seat cushion



Product Data

100 ACRE SHELF

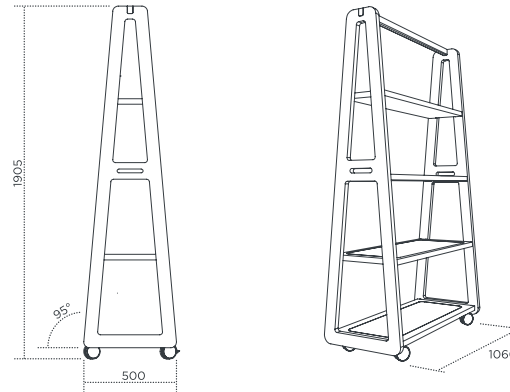
100 Acre Shelving unit can be used as a mobile library, dividing wall or reference point, and stores neatly in between RETREAT pods. Mobile locking castors make moving the unit easy and provide flexibility for changing the office layout and break-out requirements on demand.

Product dimensions

Overall dimensions 1060W x 500/190D x 1905mmH

Structure

End / shelf plywood panels 32mm hoop pine plywood
Acoustic inlay PET panel



100 ACRE PLANTER

Greenery can be added to the work environment in a functional way using 100 ACRE. With mobile locking castors and optional finishes, 100 ACRE PLANTER provides natural enhancement within the workplace and a mobile green wall that can be used for aesthetics or as a divider between work areas.

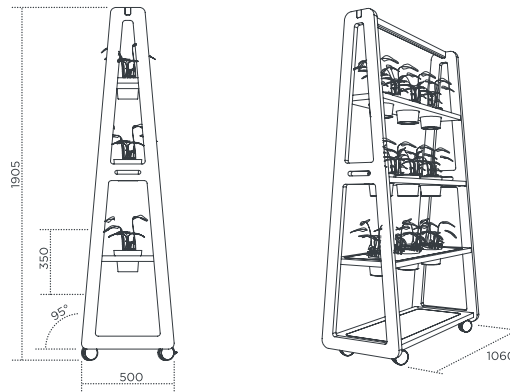
Product dimensions

Overall dimensions 1060W x 500/190D x 1905mmH

Pot size 150mm DIA

Structure

End / shelf plywood panels 32mm hoop pine plywood
Acoustic inlay PET panel



Product Data & Finishes

Common product data

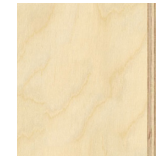
PET

Composition 100% PET, 60-68% recycled
 Sustainability Greentag certified. Greenrate level: A
 VOC Emission <0.004mg/m²/hr

Cleaning

PET / Upholstery Refer to product care and maintenance guide
 Timber Refer to product care and maintenance guide

Timber finishes



Natural

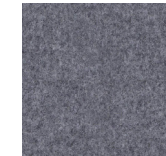


Black Stain

Bench seat upholstery finishes



Blazer Silcoates



Blazer Surrey



Blazer St Andrews

Acoustic Panel Finishes



454



908



101



442



402



444



447



365



468



580



384



349



330



269



542



550



124



167



487



274



551



660

*Contact Square-Bear Acoustics for custom colour options.

SQUARE BEAR

© Copyright 2021

All Rights Reserved

HEAD OFFICE

Unit 6/80 Jedda Road, Prestons

New South Wales 2170, Australia

P: +61 (0)2 9189 1444

sales@square-bear.com

SYDNEY SHOWROOM

Level 3/140 William Street, Woolloomooloo

New South Wales 2011, Australia

www.square-bear.com