

## S50 & G50 MOUNTING TRIMS



BL-DL-101-M1W



BL-DL-101-M3W



BL-DL-101-M4W



BL-DL-101-M5W  
BL-DL-101-M5B



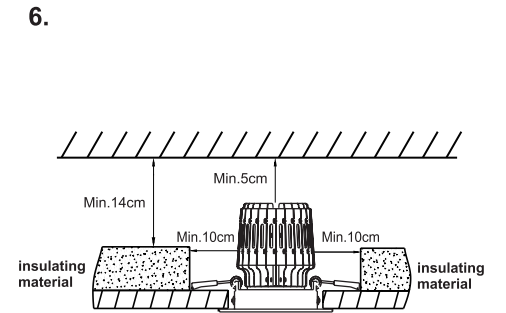
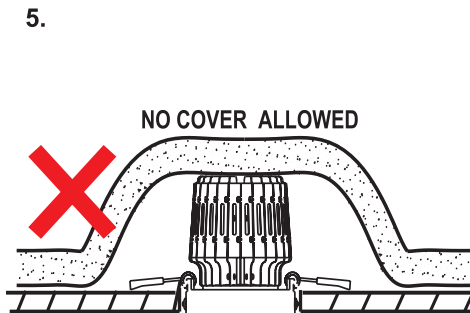
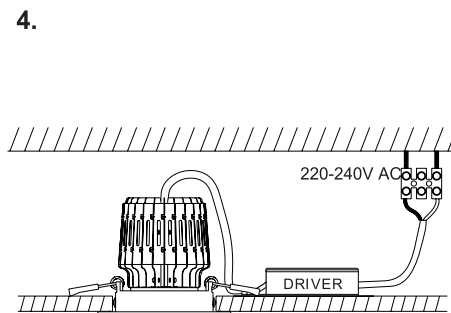
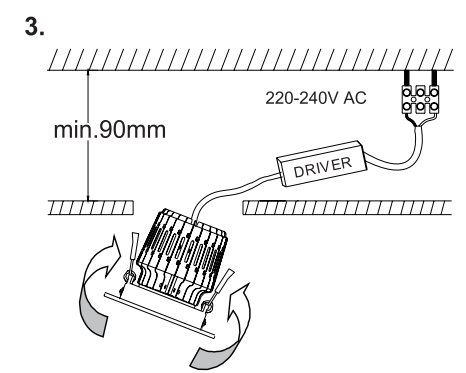
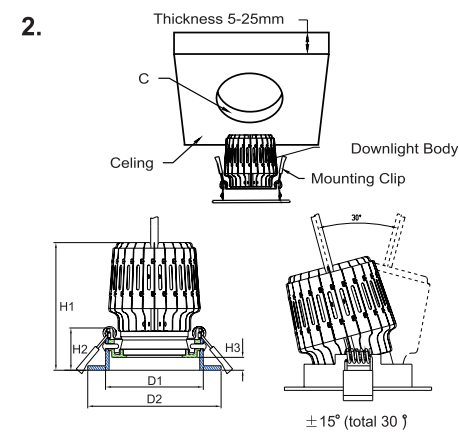
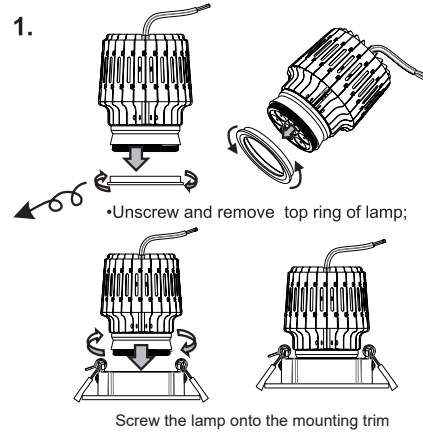
BL-DL-101-M7W



BL-DL-101-M9W



BL-DL-101-M6W  
BL-DL-101-M6C



### WARNING

- Indoor use only.
- Please ensure the packaging is disposed of safely.
- If any cable is defective, do not use.
- Do not connect the light fixture to the mains power directly.
- Only a registered electrician should install this product.

### SAFETY NOTES

- Switch off the electricity at the mains before commencing installation.
- Connect lamp to a 220-240V AC supply in accordance with NZ regulation.
- Make sure all connections are tight with no loose strands.
- Ensure fire regulations are not breached when fitting downlight.