

SafeGlo™

Ex LED

Zone 1/2 ☆

Zone 21/22 ☆

MINING ☆



NEON XTRA

LED NEON produced by Clear Lighting and distributed by Bright Light, is a broad range of silicone encapsulated LED ribbons.

NEON is perfect for commercial applications where high-quality lighting is required. Modern LED technology offers a durability that surpasses the traditional glass product, injection moulded connections offer up to IP68 protection, and the silicone casing provides UV and flame resistance while distributing uniform light.

On occasion, a project asks for more – Bright Light proudly introduces **NEON XTRA**, a highly specialised, application specific range of Neon products designed for niche applications.

The Neon Xtra range includes:

- **Luxpave™** – In-ground, drive-over luminaire systems
- **Transportation Lighting** for applications like road bridges
- **SafeGlo™** – Hazardous environment applications
- **ThermGlo™** – Designed for Sauna & steam rooms
- **Panoray™** – Freebend, high-powered wall washer luminaires

Engineered for Explosive and Hazardous Environment



IP67 Protection



1000 lm/m



>50000h Lifespan



Ambient Working Temperature



Running Length



5 Year Warranty

ATEX Cert No. TUV IT 19 ATEX 086X
IECEX Cert No. TPS 19.0047X



T1
T2
T3
T4
T5
T6

OVERVIEW

Introducing Safeglo™ Ex LED Neon, a fully encapsulated silicone-based luminaire. Its silicone extruded housing acts as insulation against external ignition sources.

Despite its compact size, this flexible LED luminaire proves capable of handling diverse and complex environments, especially when combined with purpose-built accessories.

The explosion-proof light fixture delivers a consistent and continuous light output, creating a safe and well-lit environment.

Having undergone 20 rigorous safety tests and certifications, this light strip is designed for indoor and outdoor hazardous environments in petroleum, chemical, mining, and other industries.



NEON
XTRA SafeGlo™

FEATURES

Flexibility

SafeGlo™ can attach to the wall or a beam, fit neatly in recesses or be suspended.

Durability

The silicone housing can withstand more than 100kg tensile force without breaking.



30m-Running Nonstop Length

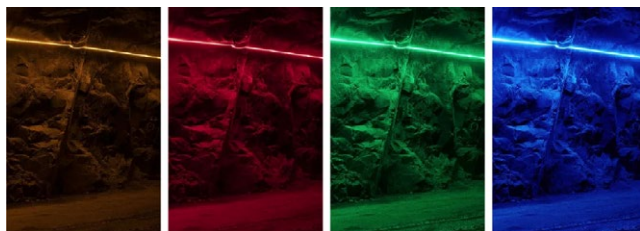
Ideal for long-range scenarios including tunnels and coal mines.

Efficacy & Efficiency

The built-in LED light source boasts impressive luminous efficiency, reaching up to 83lm/W, and a lifespan of up to 50,000 hours.

Safe

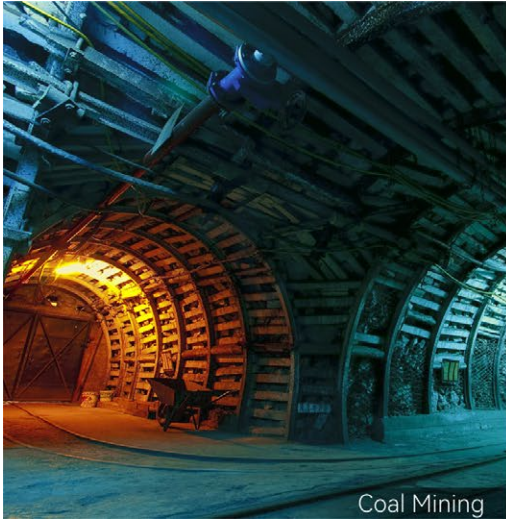
The silicone encapsulation effectively isolates explosive gases and dust, minimizing explosion risks. Moreover, its 24V low-voltage design reduces the chances of serious electric shocks, ensuring safety for outdoor lighting installations.



RGB Colour Options

Choose from a variety of colours, including white, red, green, blue, amber, or RGB colours. This light serves as a task light and doubles as a signal light, enabling worksites to implement safety monitoring and provide instant visual warnings when needed.

INDUSTRIES



APPLICABLE ENVIRONMENTS



I M2 Ex ma op is I Mb;
 (Group I methane/carbon dust, M2 - operation where there is a risk of explosion occasionally, Ex ma - very high level of protection encapsulation)

I M2 Ex mb op is I Mb;
 (Group I methane/carbon dust, M2 - operation where there is a risk of explosion occasionally, Ex mb - high level of protection encapsulation)

II 2G Ex mb op is IIC T6 Gb;
 (Group II gases, 2G - Zone 1,2, Ex mb - high level of protection encapsulation, Gas group IIC hydrogen)

II 2D Ex mb op is IIIC T80°C Db;
 (Group II - dusts, 2D - Zone 21,22, Ex mb - high level of protection via encapsulation, Dust group IIIC - combustible metal dust)

NAMING CONVENTION

Dimension
20mm(W) x 10mm(H)

Unit of voltage
V

Unit of length
Meter

Unit of power
watt

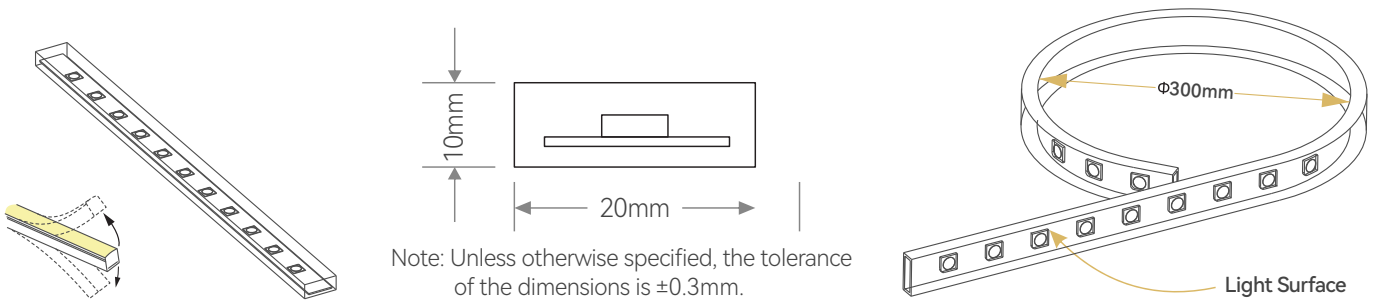
aa-F2010 b-cccc V-dd-eee-fff M-ggg W

Remark: a, b, c, d, e, f and g are variables.

Example mb-F2010B-AC36V-66-6500K-15M-180W

aa	b	cccc	dd	eee	fff	ggg
Level of protection	Typical light output model	Input voltage	LED numbers per meter	Light color	Length of light	Power of light
mb	B= Monochrome Light S= Pixel Light	DC48 DC36 DC24 AC48 AC36 AC24	84/56/28 88/66/44/22 84/56/28 88/66/44/22 84/70/56/42	6500K Red Green Amber	The length is variable and minimum step is 0.5m	The power is variable and correspond to light length

DIMENSIONS



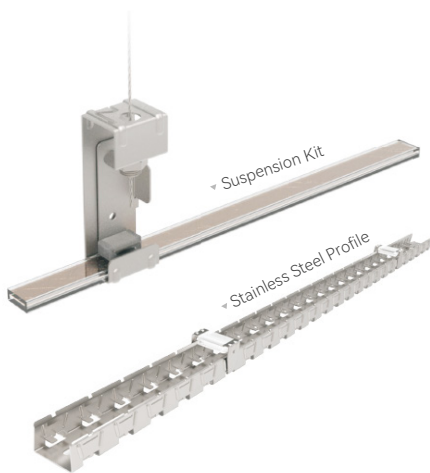
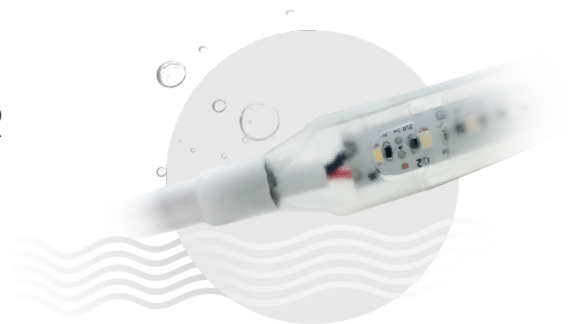
BASIC PARAMETERS

Manufacturer Part No.	LED QTY/m	Lumen/m	Rated power/m	Other LED QTY options	Color
C-EXFR- (Pro) F2010B-XX-YY-AC48V	84	>900lm	12w	56, 28	6500K, Red, Green, Amber
C-EXFR- (Pro) F2010B-XX-YY-DC48V	84	>1000lm	12w	56, 28	6500K, Red, Green, Amber
C-EXFR- (Pro) F2010B-XX-YY-AC36V	88	>900lm	12w	66, 44, 22	6500K, Red, Green, Amber
C-EXFR- (Pro) F2010B-XX-YY-DC36V	88	>1000lm	12w	66, 44, 22	6500K, Red, Green, Amber
C-EXFR- (Pro) F2010B-XX-YY-AC24V	84	>900lm	12w	56, 28	6500K, Red, Green, Amber
C-EXFR- (Pro) F2010B-XX-YY-DC24V	84	>1000lm	12w	56, 28	6500K, Red, Green, Amber
C-EXFR- (Pro) F2010S-XX-DC24v	42		3w	28, 14	R/G/A/RG/RGA

xx refers to color, yy refers to LED QTY/m

INJECTION-MOULDED CONNECTOR

The liquid silicone injection-moulded integrated connector is watertight and IP67 rated, ensuring durable outdoor use without causing the casing to crack and eliminating short circuit risks caused by water ingress.



MOUNTING PROFILE

Suspension Kit

- Easy to assembly and disassembly
- Able to hold the object in place and withstand vibration.
- Rust-resistant stainless steel
- Adjustable height

Stainless Steel Profile

- Quick Setup
- Highly adaptable to any mounting surface or environment
- The strap and clip design helps secure the lighting fixture in place without sacrificing the light performance