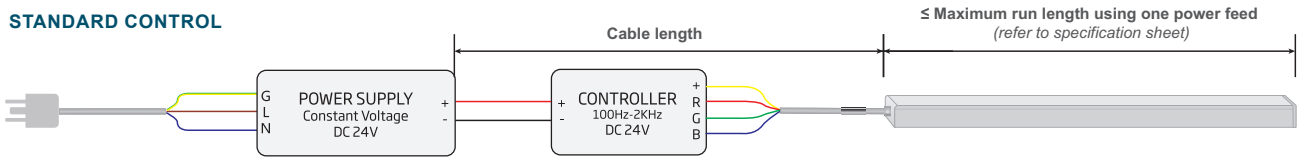


## NEON RGB | SILICONE | WIRING GUIDE

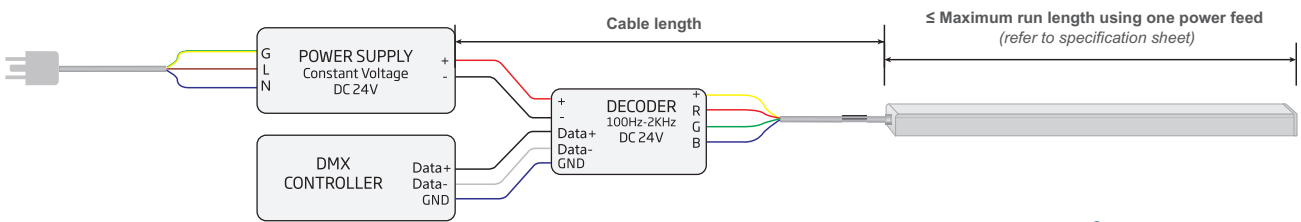
TO AVOID SIGNAL FADING, ENSURE THE OVERALL CABLE LENGTH IS WITHIN THE MAXIMUM SIGNAL TRANSMISSION DISTANCE ACCORDING TO THE SPECIFICATION OF CONTROLLER/DECODER

### SINGLE END FEED

#### STANDARD CONTROL



#### DMX CONTROLLER VIA DECODER

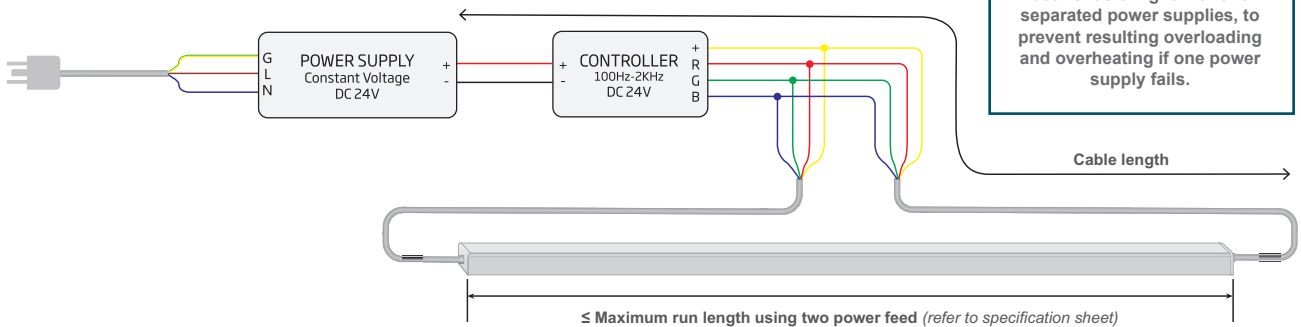


#### READ ME

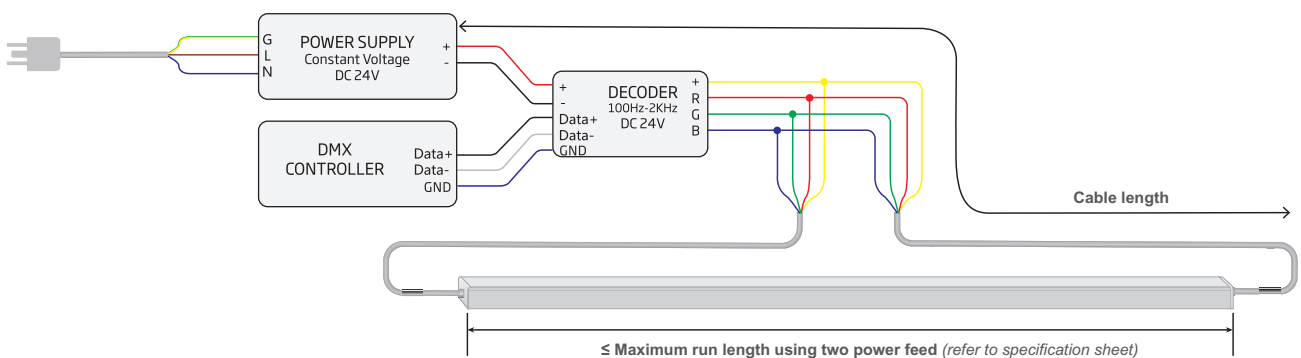
Ensure the polarity is correct on both ends! A short circuit might occur if powering the light from both ends with reverse polarity. It is not recommended to feed both ends of light with two separated power supplies, to prevent resulting overloading and overheating if one power supply fails.

### DOUBLE END FEED

#### STANDARD CONTROL



#### DMX CONTROLLER VIA DECODER



SEE PAGE 2 FOR CABLE LENGTH CHART

