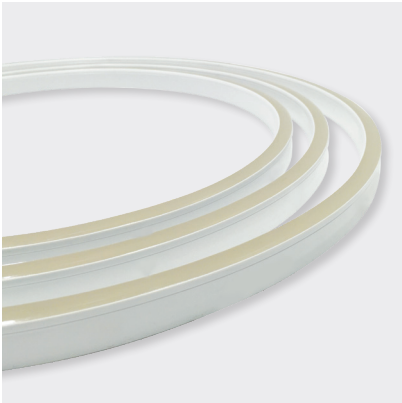
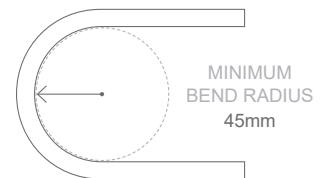
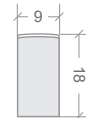
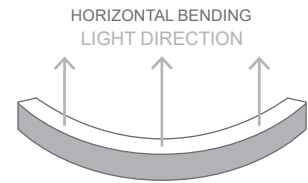


NEON MICRO EDGE | ELECTRICAL AND PHYSICAL INSTALLATION GUIDE



COLOUR	CODE
WARM WHITE 3000K +/- 175K	BL-LS-4050-30
NATURAL WHITE 4000K +/- 275K	BL-LS-4050-40
COOL WHITE 5700K +/- 300K	BL-LS-4050-57

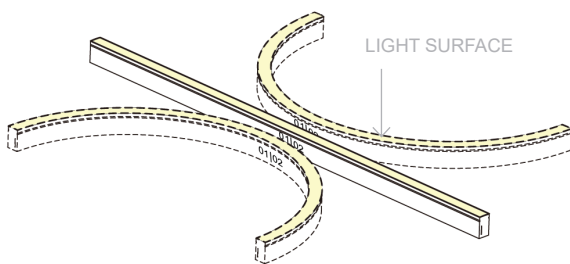
ELECTRICAL & OPTICAL DATA VARIANCE +/- 10%
SOLD BY THE METRE
IES FILES AVAILABLE



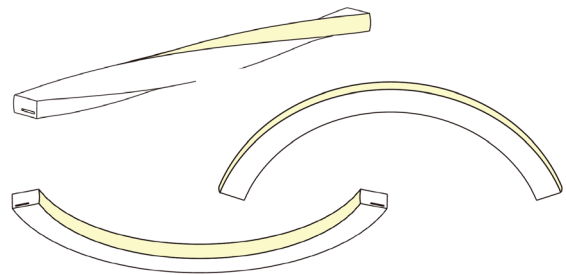
BENDING PARAMETERS



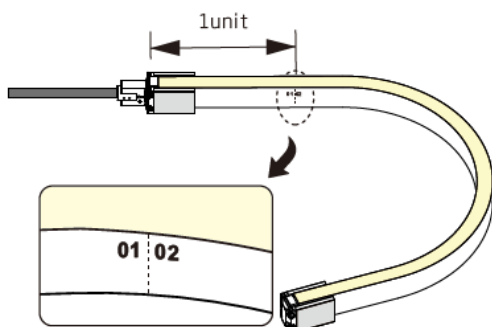
NEON MICRO EDGE CAN BE CURVED AS SHOWN BELOW



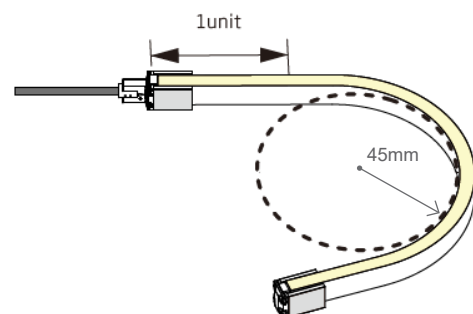
DO NOT TWIST THE LIGHT OR BEND AGAINST THE LIGHT SURFACE



- Avoid bending LED Neon within the first unit (*units are clearly marked with dashed lines on the sides of the product*)

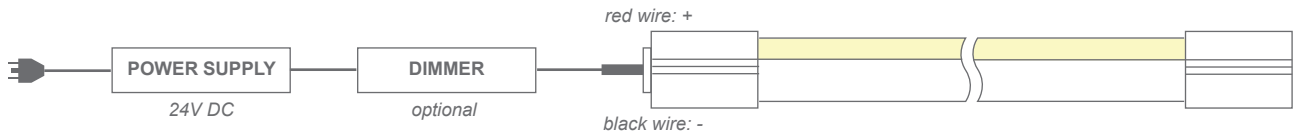


- LED Neon can be bent up to the defined "minimum bend radius" (45mm for Neon Micro Edge)



NEON MICRO EDGE | ELECTRICAL AND PHYSICAL INSTALLATION GUIDE

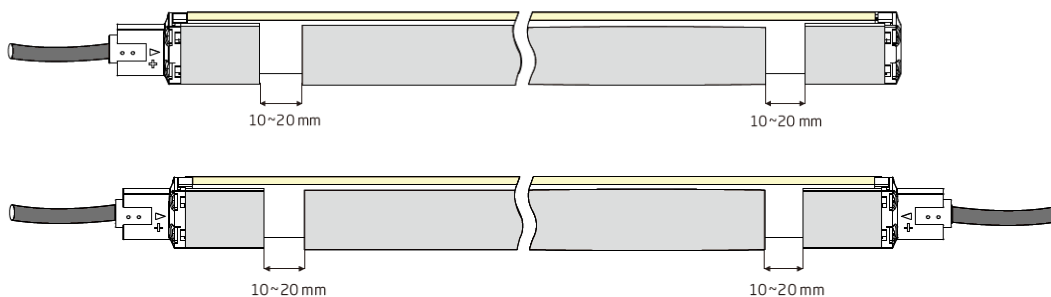
WIRING DIAGRAM



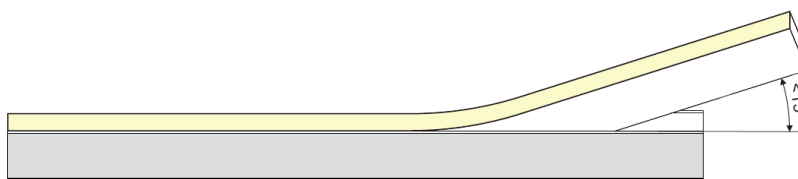
- LED Neon must always be used in conjunction with a certified Bright Light 24V DC power supply.
- Check the polarity of the connector before inserting the front connector and switching on the mains power.
- To minimise voltage drop and ensure consistent light output, position the power supply near to the power feed end of the LED Neon, and keep the line as short as possible
- Ensure your maximum run per power feed adheres to the guidelines; 15m when using a single connector, or 30m when using both connectors (see specification sheet).
- Ensure to add 20% buffer when selecting a power supply.
- Before making any cuts, installation, maintenance, or connection, be sure the mains power is disconnected.
- If essential; cut and connect LED Neon correctly. Any incorrect operation can cause damage.
- All connector joints must be connected correctly to achieve connector IP rating.

PROFILE INSTALLATION REQUIREMENTS

- ✔ - Ensure the supply cord is not subject to mechanical stress
- Keep 10–20mm distance between the end of the profile and the end mounting piece

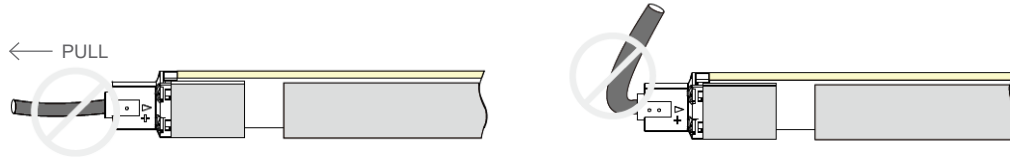


- The bend angle should be less than 15 degrees when installing LED Neon into the profile by hand

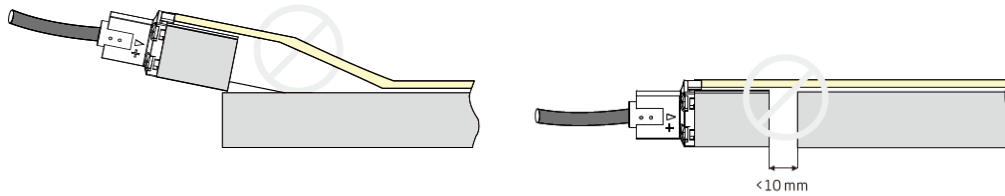


NEON MICRO EDGE | ELECTRICAL AND PHYSICAL INSTALLATION GUIDE

- ❌ – Avoid placing mechanical stress on the front connector cable
- Do not curl or bend the front connector cable with excessive force



- Avoid installing the profile less than 10mm from the end mounting piece



- Install the LED Neon into the profile in one direction, don't let it bow in the middle

