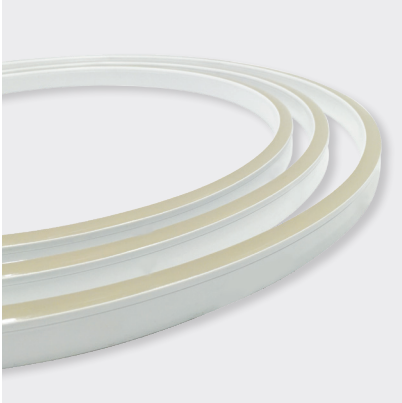
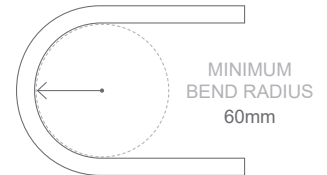
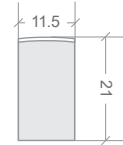
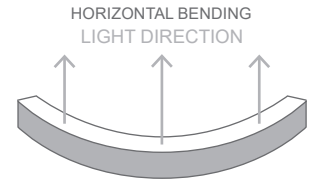


NEON EDGE | ELECTRICAL AND PHYSICAL INSTALLATION GUIDE



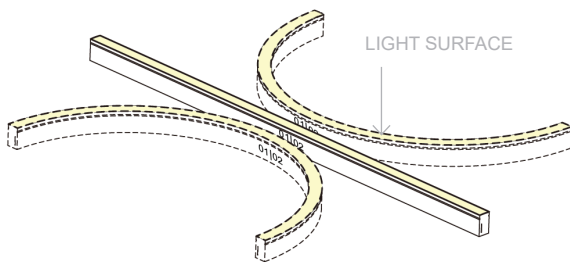
COLOUR	CODE
WARM WHITE 2700K +/- 145K	BL-LS-4030-27
WARM WHITE 3000K +/- 175K	BL-LS-4030-30
NATURAL WHITE 4000K +/- 275K	BL-LS-4030-40
COOL WHITE 5700K +/- 300K	BL-LS-4030-57
2500 - 5000K TUNEABLE	BL-LS-4400
RGB	BL-LS-4100-RGB
RGBW	BL-LS-4150-RGBW
RGB CHASING	BL-LS-4200-RGBC

ELECTRICAL & OPTICAL DATA VARIANCE +/- 10%
SOLD BY THE METRE
IES FILES AVAILABLE

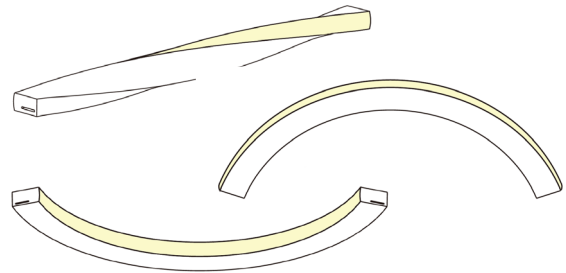


BENDING PARAMETERS

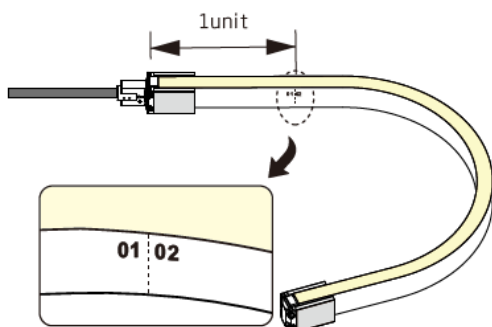
 NEON EDGE CAN BE CURVED AS SHOWN BELOW



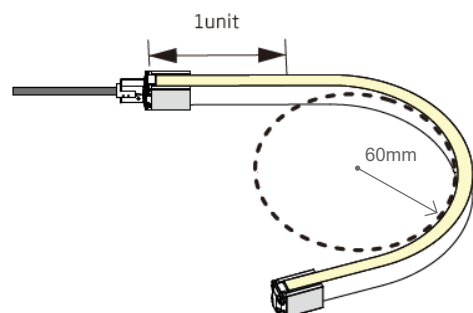
 DO NOT TWIST THE LIGHT OR BEND AGAINST THE LIGHT SURFACE



- Avoid bending LED Neon within the first unit (*units are clearly marked with dashed lines on the sides of the product*)



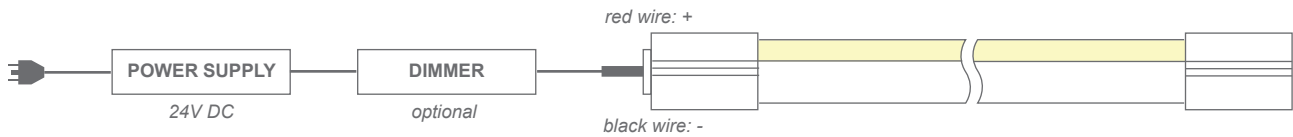
- LED Neon can be bent up to the defined "minimum bend radius" (60mm for Neon Edge)



NEON EDGE | ELECTRICAL AND PHYSICAL INSTALLATION GUIDE

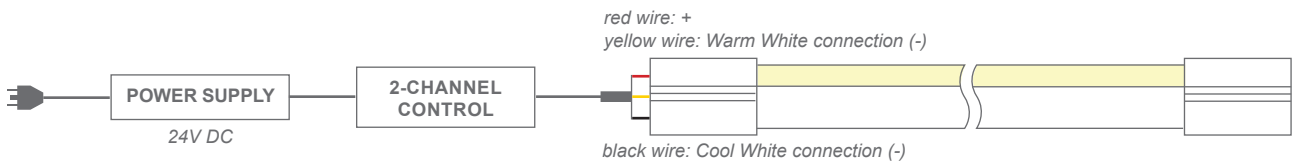
WIRING DIAGRAMS

WHITE



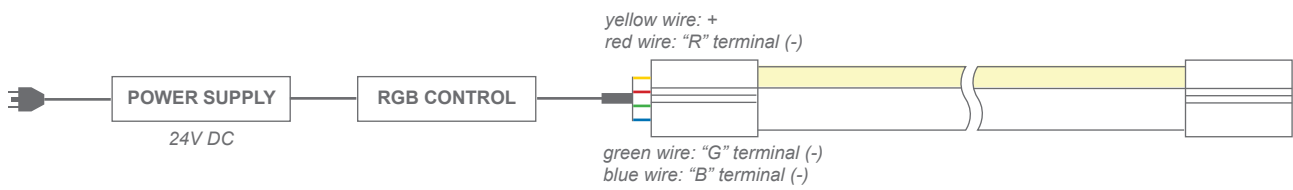
MAX. RUN PER POWER FEED: 10m using one feed, 20m using two feeds

TUNEABLE WHITE



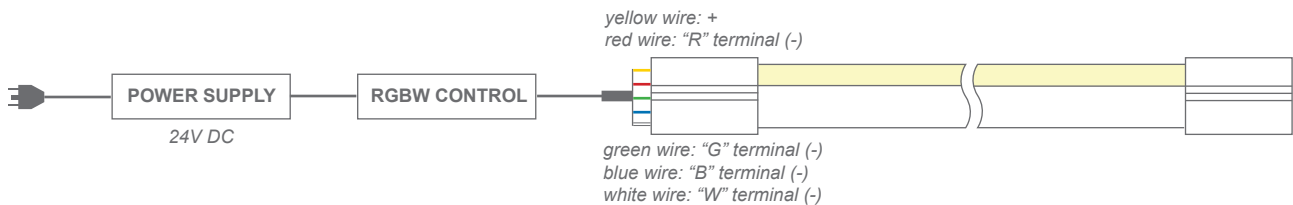
MAX. RUN PER POWER FEED: 10m using one feed, 20m using two feeds

RGB



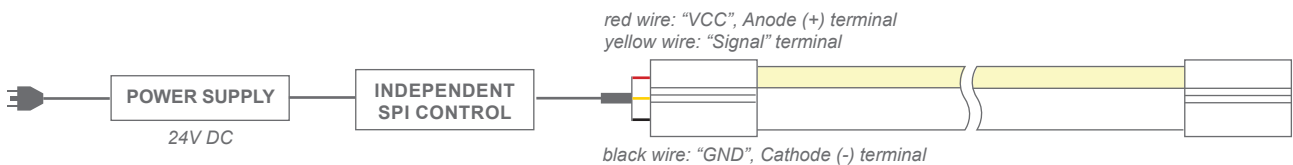
MAX. RUN PER POWER FEED: 7m using one feed, 14m using two feeds (Static full loading) or, 10m using one feed, 20m using two feeds (Dynamic operating)

RGBW



MAX. RUN PER POWER FEED: 5m using one feed, 10m using two feeds

DYNAMIC RGB 'CHASING'



DMX OPTION AVAILABLE

MAX. RUN PER POWER FEED: 10m using one feed, 20m using two feeds (Static full loading) or, 15m using one feed, 30m using two feeds (Dynamic operating)

- LED Neon must always be used in conjunction with a certified Bright Light 24V DC power supply.
- Check the polarity of the connector before inserting the front connector and switching on the mains power.
- To minimise voltage drop and ensure consistent light output, position the power supply near to the power feed end of the LED Neon, and keep the line as short as possible
- Ensure your maximum run per power feed adheres to the guidelines; see specification sheet.
- Ensure to add 20% buffer when selecting a power supply
- Before making any cuts, installation, maintenance, or connection, be sure the mains power is disconnected.
- If essential; cut and connect LED Neon correctly. Any incorrect operation can cause damage.
- All connector joints must be connected correctly to achieve connector IP rating.

NEON EDGE | ELECTRICAL AND PHYSICAL INSTALLATION GUIDE

PROFILE INSTALLATION REQUIREMENTS

ACCESSORY

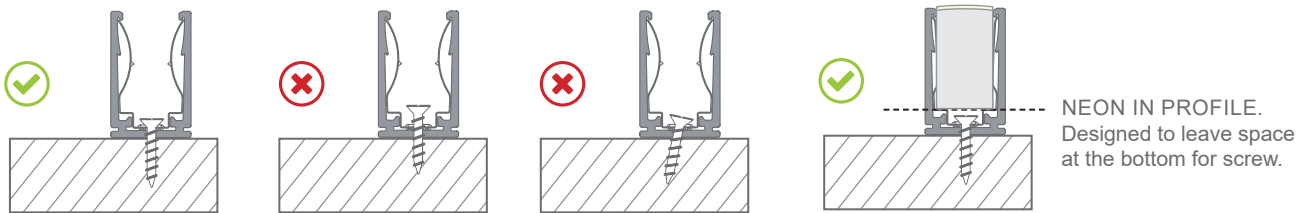
BL-LS-4003
SELF-LOCKING ALUMINIUM V2 PROFILE 2m

BL-LS-4004
SELF-LOCKING ALUMINIUM V2 MOUNTING CLIP 35mm

BL-LS-4005
PLASTIC PROFILE 2m

BL-LS-4006
PLASTIC PROFILE 1m

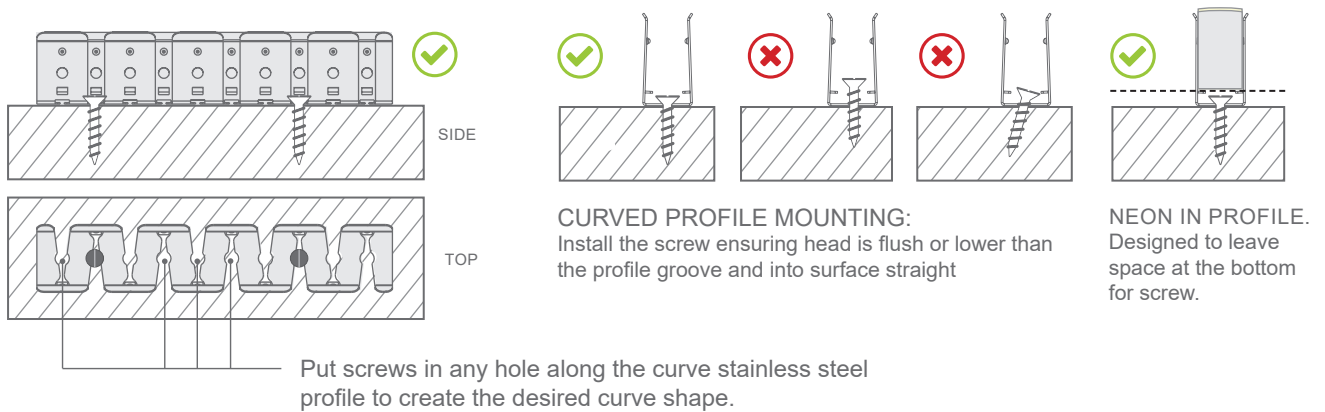
REFER TO
MOUNTING ACCESSORIES PDF
FOR PROFILE DETAILS
& DIMENSIONS



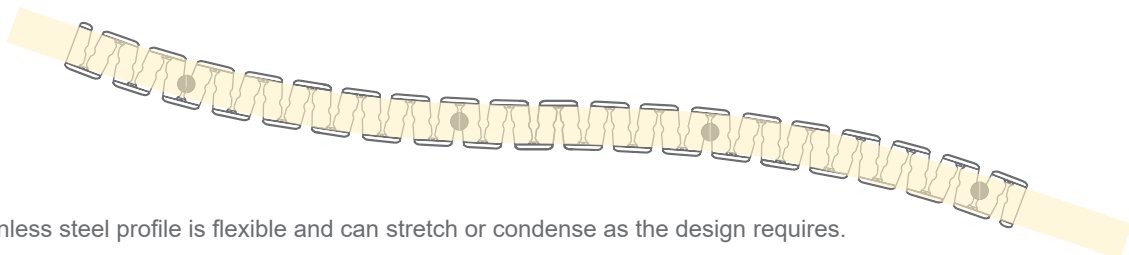
PROFILE MOUNTING: Install the screw ensuring head is flush or lower than the profile groove and into surface straight

ACCESSORY

BL-LS-4028
CURVE STAINLESS STEEL PROFILE 900MM
MULTIPLE FIXING LOCATIONS



Put screws in any hole along the curve stainless steel profile to create the desired curve shape.

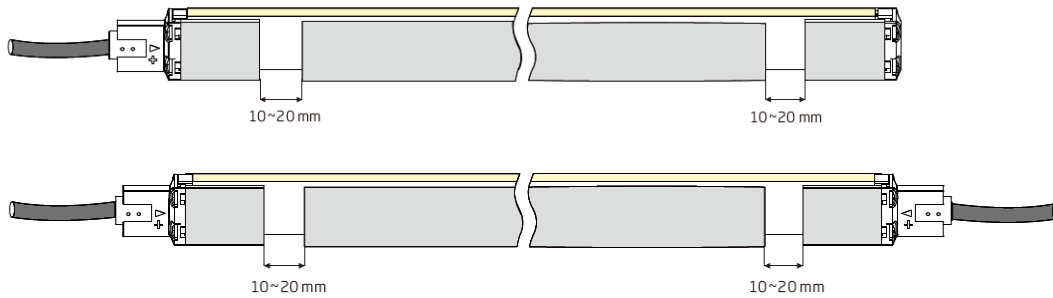


Curve stainless steel profile is flexible and can stretch or condense as the design requires.

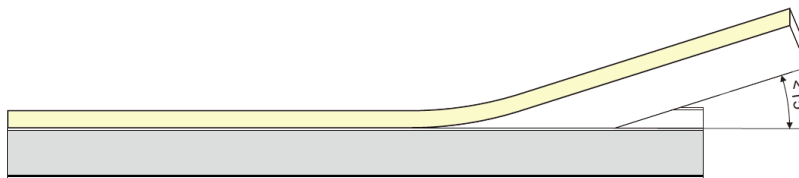
NEON EDGE | ELECTRICAL AND PHYSICAL INSTALLATION GUIDE

PROFILE INSTALLATION REQUIREMENTS

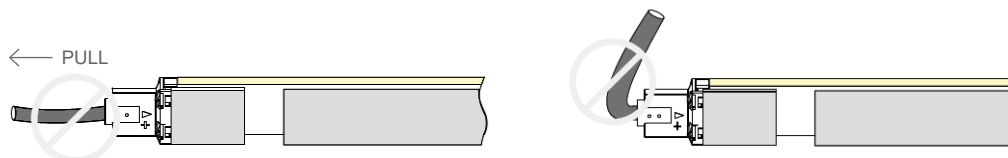
- ✔ - Ensure the supply cord is not subject to mechanical stress
- Keep 10–20mm distance between the end of the profile and the end mounting piece



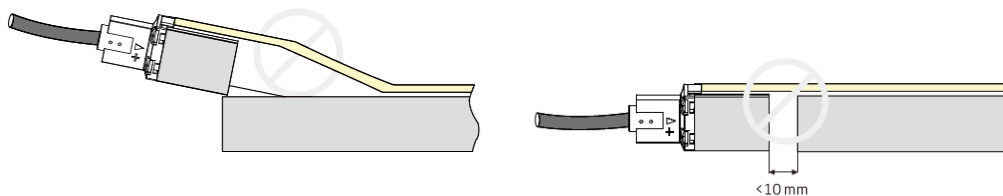
- The bend angle should be less than 15 degrees when installing LED Neon into the profile by hand



- ✘ - Avoid placing mechanical stress on the front connector cable
- Do not curl or bend the front connector cable with excessive force



- Avoid installing the profile less than 10mm from the end mounting piece



- Install the LED Neon into the profile in one direction, don't let it bow in the middle

