

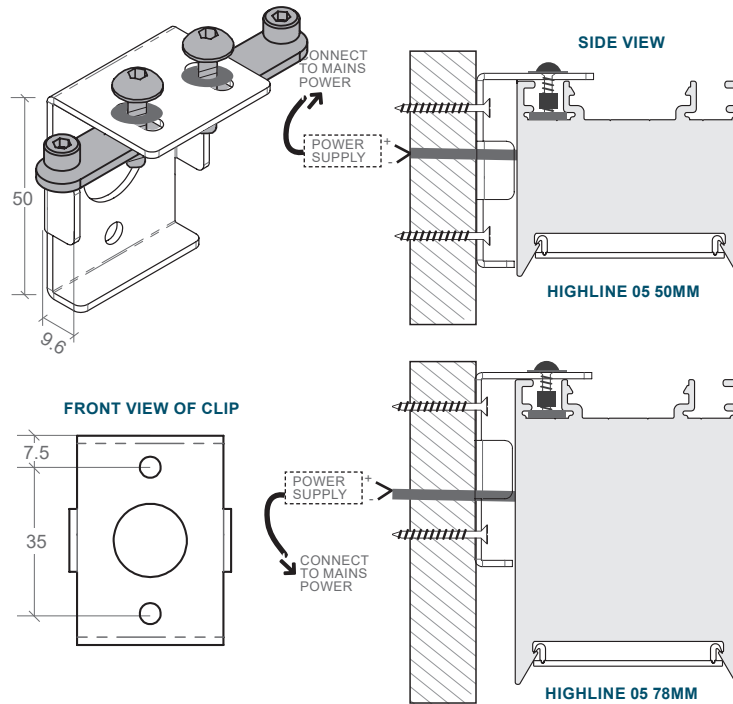
LINEAR WALL MOUNT CLIP | HIGHLINE 05

SEE PAGE 2 FOR INSTALLATION INSTRUCTIONS

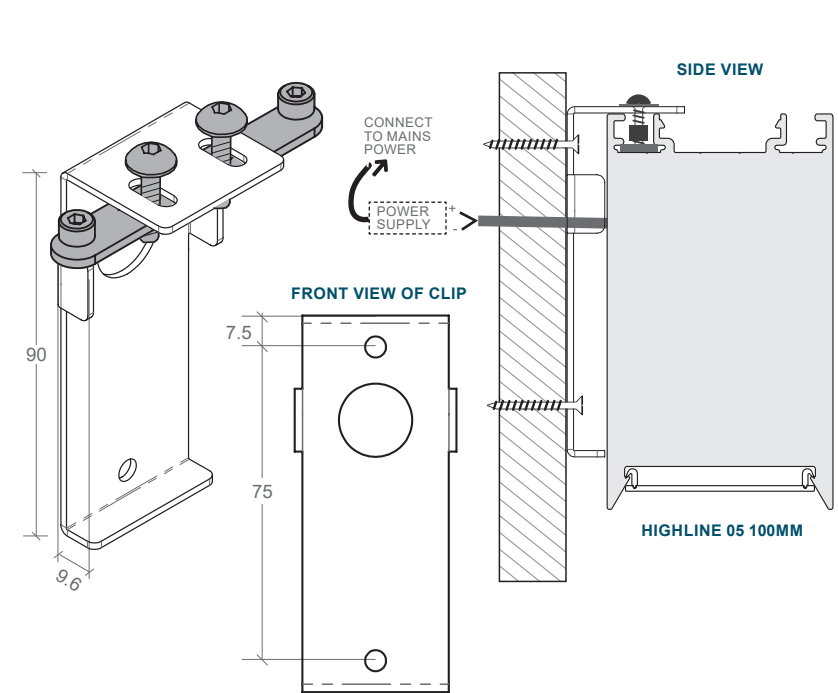


- Simple wall clip for mounting Highline 05 profile
- Available in black or white
- 9.6mm offset from wall
- Mounting clip screws into a Highline 05 joiner (included), allowing the clip location to be adjusted to suit to wall studs
- Clip location is adjustable to wall studs (see recommended mounting distances below)
- All wall mounted profiles have external power supply/driver which need to be mounted in the wall & connected to mains power.

50MM CLIP FOR HIGHLINE 05 50MM & 78MM

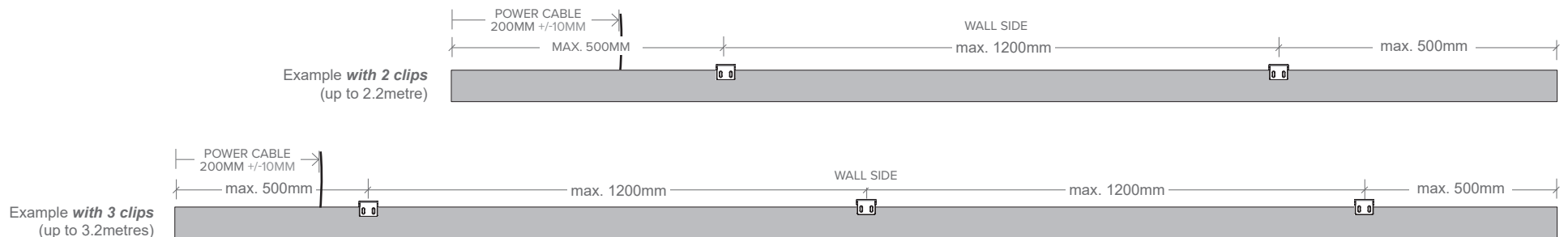


90MM CLIP FOR HIGHLINE 05 100MM



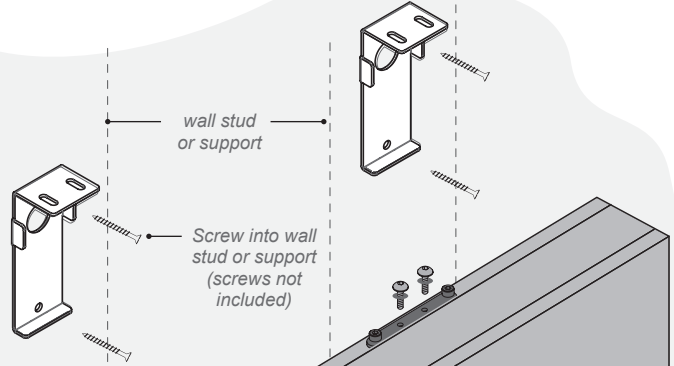
CLIP MOUNTING DISTANCES

- Bright Light recommend a maximum of 1.2metre between clips & a maximum of 500mm overhang each end.
- Check your installation location to determine stud locations/distances and required clip quantity

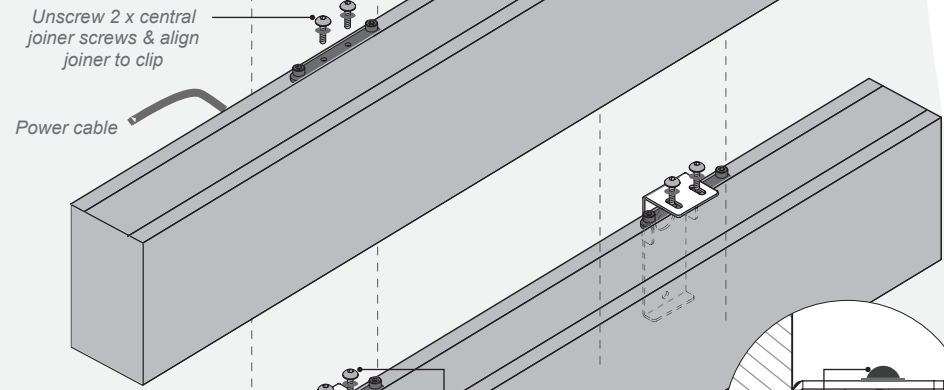


LINEAR WALL MOUNT CLIP | HIGHLINE 05

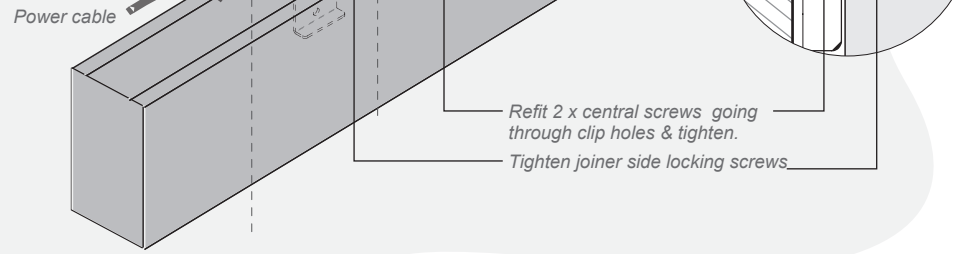
WALL CLIPS



JOINERS



MOUNTING



INSTALLATION INSTRUCTIONS

INSTALLATION IS TO BE DONE BY REGISTERED ELECTRICIAN IN COMPLIANCE WITH LOCAL STANDARDS

WALL CLIPS

1. Wall clips location can be adjusted to suit wall stud locations. Clips are fixed to via joiners which slide along the top wall side channel.
2. *Bright Light recommend a maximum of 1.2metre between clips & a maximum of 500mm overhang each end.*
3. Highline 05 for wall mounting will have their power exit cable on the side 200mm from left side. Depending on wall power location the power cable may need to be fed along the back side of profile to the nearest power location.
4. Decide location for clips based off wall stud or support locations and max. clip distances.
5. Screw-fix clip into wall stud or support (**screws not included**). Ensure all clips are mounted level.

JOINERS

6. *Joiners should come pre-fitted in profile channel and can be slid along with end of screw driver. However, if not pre-fitted, an end cap will need to be removed to allow joiner insertion into channel.*
7. Align joiner location to match clips & tighten the two side locking screws. **Remove the two central screws & washers from joiners and keep on hand for step 9.**

MOUNTING

8. Feed power cable through desired power location hole & make any required electrical connections.
9. While supporting profile underneath wall mounted clips, refit central screws & washers going through the top clip holes into the joiner & tighten to secure.
10. **Repeat for all clips before allowing clips to take any weight.**

**SUPPORT PROFILE UNTIL ALL CLIPS HAVE BEEN FITTED & TIGHTENED
(2 PEOPLE RECOMMENDED)**