

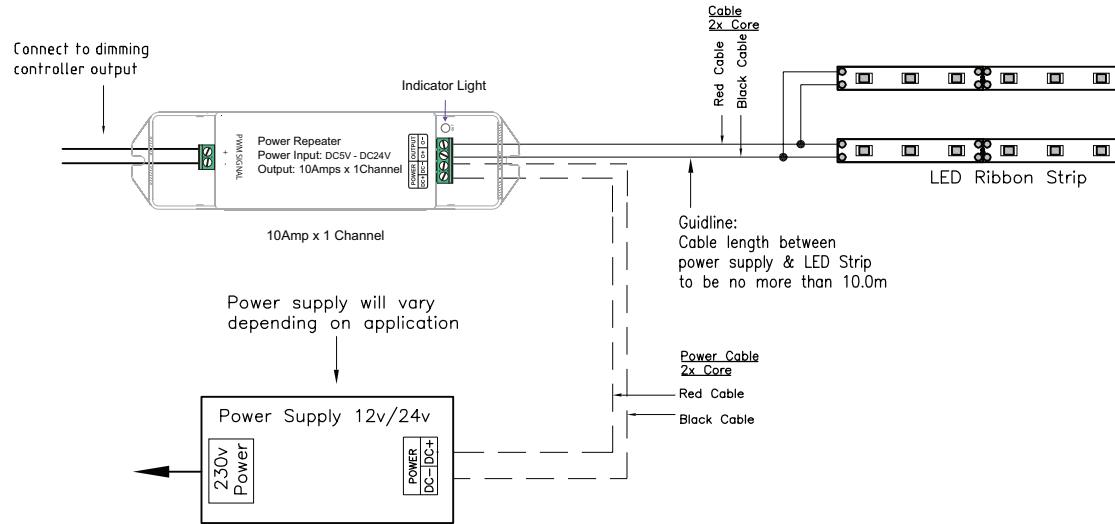
## 10A REPEATER



CODE  
LED-RPT-95-V2

OUTPUT CURRENT	MAX. LOADING	VOLTS
	50W	5V DC
1 × 10A channel	120W	12V DC
	240W	24V DC
DIMENSIONS	W45 × L180 × H30mm	
HOUSING	PVC casing	
MOUNTING	2 × mounting tabs	
WARRANTY	5 years	
COMPLIANCE		
OPERATING TEMP.	-10°C ~ +50°C	
INGRESS PROTECTION	Indoor use only	
CONNECTION METHOD	Concealed screw terminals	
CONTROL	Requires controller with PWM output	
MAX. DISTANCE FROM POWER SUPPLY	Recommended under 10 metres <i>For specific projects contact Bright Light</i>	

### WIRING DIAGRAMS



### FUNCTION

- Used to expand the output of single colour ribbon strip controllers

