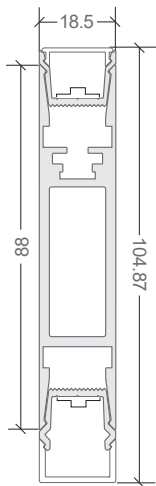
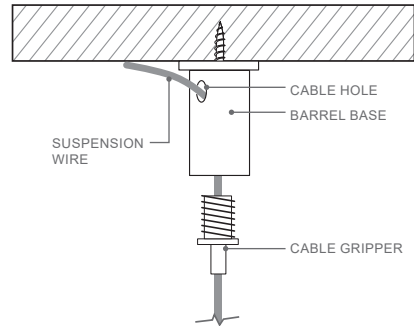
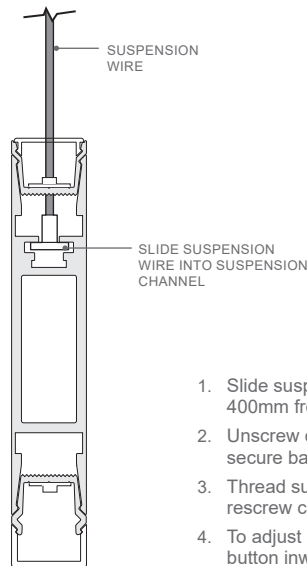


HORIZON 105 SUSPENSION INSTALLATION

HORIZON 105



SUSPENSION

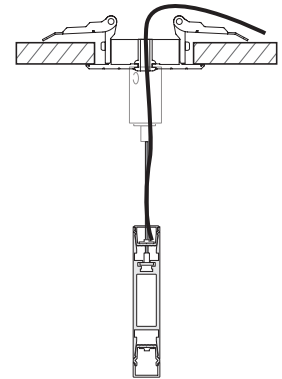
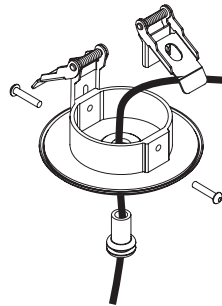


1. Slide suspension wires into suspension channel. Position suspension wires 150-400mm from each end of profile (maximum distance of 3 metres between wires).
2. Unscrew cable gripper from barrel base and use suitable screw (not supplied) to secure barrel base to support.
3. Thread suspension cable through cable gripper, barrel base and out cable hole, then rescrew cable gripper.
4. To adjust cable length: While one person supports the profile, press the cable gripper button inwards and either tighten; by pulling excess cable up through cable hole or release; by pulling excess cable back down.
5. Excess suspension wire can be cut down to length once installed.

CEILING ROSE/CABLE BASE (FOR POWER FEED) INSTALLATION

Ø80MM RECESSED MOUNT INSTALLATION

1. Select appropriate ceiling location for cable base - should be above luminaire and where the power feed cable can connect to the LED driver/mains power.
2. Drill Ø65mm hole in ceiling for face plate.
3. Connect spring clips to face plate sides using 2 × HY16 screws provided.
4. Ensure grommet is fitted into the face plate and then thread the power feed cable through centre and into ceiling.
5. While holding the spring clips in vertical (up) position, insert the face plate into the ceiling hole. The spring clips will snap back to the horizontal position as soon as they are released and will secure the cable base in place.



Ø80MM SURFACE MOUNT INSTALLATION

1. Select appropriate ceiling location for cable base - should be above luminaire and where the power feed cable can connect to the LED driver/mains power.
2. Drill hole in ceiling for power feed cable.
3. Position and screw the surface mount ring onto ceiling using the top four mounting holes, ensuring the drilled ceiling hole is aligned centrally.
4. Ensure grommet is fitted into the face plate and then thread the power feed cable through centre.
5. Thread the power feed cable through the ceiling hole.
6. Fit the face plate into the surface mount ring. Rotate face plate until the side screw holes align, then secure with 2 × HY16 screws provided.

