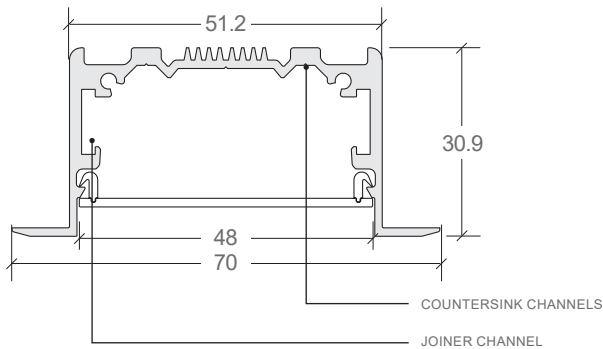


HIGHLINE 03 V2 | INSTALLATION VIA MOUNTING CLIPS OR SCREW FIX

DIMENSIONS

W70mm × H30.9mm (with 9mm trim)

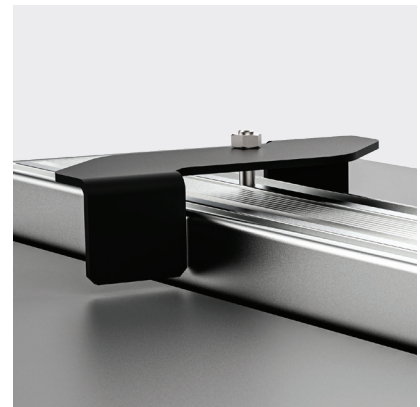
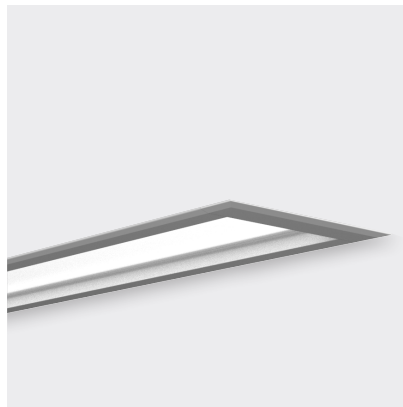


FEATURES

- Prismatic diamond cut design diffuser (continuous)
- Anodised aluminium, black or white powder-coat finishes
- Recess via mounting clip or screw-fix
- Suitable for 4–30W/m LED Ribbon
- Mounting clip suitable for up to 15mm ceiling

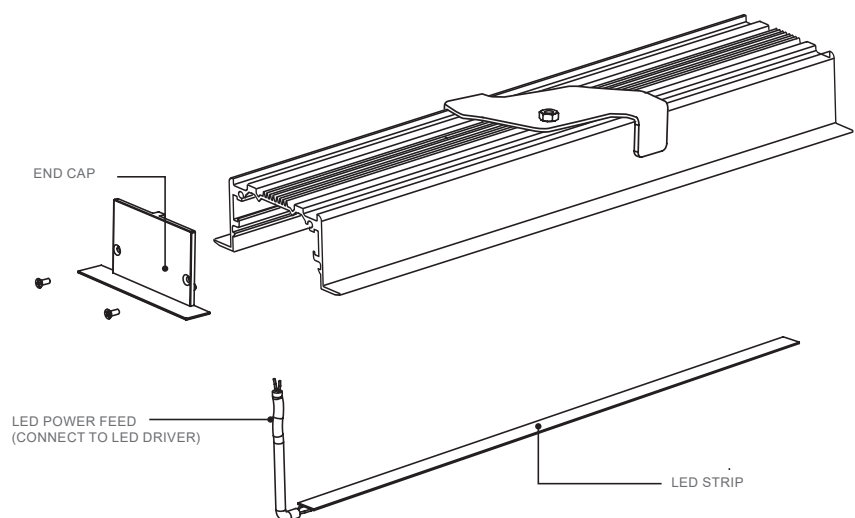
NOTE: TWO PEOPLE ARE REQUIRED FOR INSTALLATION

When used, clips are recommended within 100mm of each end & evenly spaced along length. Max. distance of 1m between clips.



A. INSTALLING LED RIBBON INTO PROFILE (SEE B. ON REVERSE FOR PREFITTED RIBBON INSTRUCTIONS)

1. Remove diffuser from profile by peeling out from end.
2. Drill LED power feed cable entry hole in an end of the profile.
3. Thread the LED power feed through this hole, ensuring it is protected from sharp profile edges e.g. heatshrink or similar.
4. When joining, use the appropriate joiner and tighten screws.
5. **IMPORTANT** - Before mounting LED strip, clean profile using an alcohol based cleaner.
6. Remove 3M paper from LED strip. Use the guide lines at the back of the profile as a guide to attach the LED strip.
7. Fit and screw end caps into place.
8. Continue from step 1 in **'B. PROFILE INSTALLATION WITH MOUNTING CLIPS'**

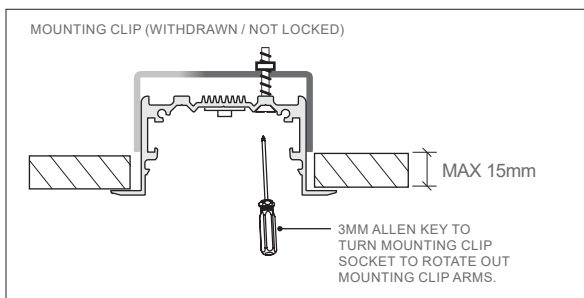


B. INSTALLING PROFILE WITH PREFITTED LED RIBBON VIA MOUNTING CLIPS OR SCREW-FIX

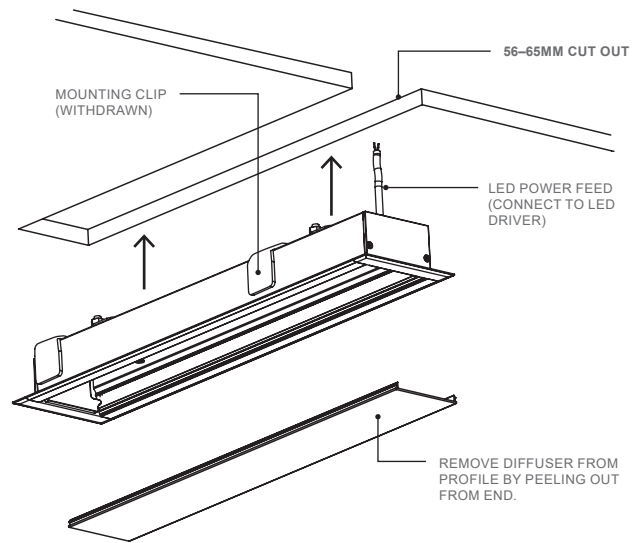
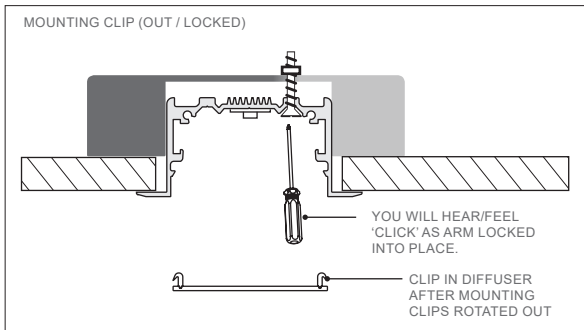
1. Cut out recess channel 56–65mm wide and length of the profile + 4–7mm for end caps.
2. Thread LED power feed through cut out. Electrical connection needs to be made by a registered electrician.
3. When joining, use the appropriate joiner and tighten screws.
4. If inserted, remove diffuser from profile by peeling out from end.

WHEN INSTALLING MOUNTING CLIPS:

5. Mounting clips may come prefitted to profile. **Clips are required within 100mm each end, with even spacing in the middle. Do not exceed 1m span between each clip.**
6. Keep clips in a withdrawn position while the profile is recessed into space.
7. While supporting profile in place, use 3mm allen key to turn the mounting clip socket, this will rotate the mounting clip arms outward. You will hear/feel 'click' as arm locked into place.

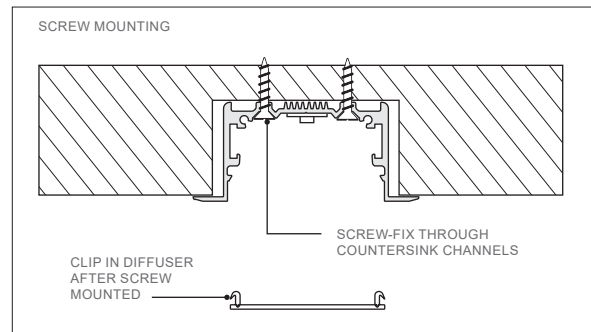


8. Once mounting clip arm is rotated, tighten the screws further to achieve a secure fit.
9. Attach diffuser to profile by clicking in securely.



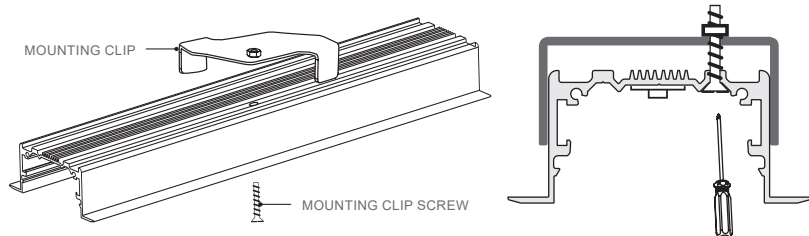
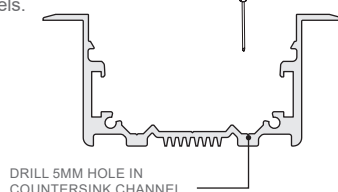
WHEN SCREW MOUNTING:

1. Insert profile into recessed space.
2. While supporting profile in place, drill holes in countersink channels and screw-fit. Double screws are required within 100mm each end, with even spacing in the middle. Do not exceed 1m span between each set of screws
3. Attach diffuser to profile by clicking in securely.



C. INSTALLING / MOVING MOUNTING CLIP - If you need to install or move a mounting clip, follow instructions below

1. Unscrew to remove mounting clip.
2. One clip is required within 100mm each end, with even spacing in the middle. Do not exceed 1m span between each clip.
3. Drill a 5mm hole in centre of one of the countersink channels.



4. Align the arm rotation socket hole to the 5mm profile hole, screw fix the mounting clip to back of profile from the inside. Depending on ceiling surface depth, screw can be tightened further once profile is in ceiling. Suitable for up to 15mm ceiling.
5. Mounting clips are in a withdrawn position. Ensure rotation socket is tight before installing.
6. Continue installation from step 1 in 'A. LED INSTALLATION' OR 'B. PROFILE INSTALLATION'