



## HIGHLINE 01



### FEATURES

- W35mm × H24mm
- Prismatic diamond-cut diffuser (continuous up to 50m)
- Anodised aluminium, black or white powder-coat finishes
- Suspend or surface mount
- General and task lighting
- Provides thermal management for LED ribbon up to a maximum of Pro 30 or equivalent
- For best visual performance LED ribbon up to a maximum of Pro 18 or equivalent is recommended for glare management

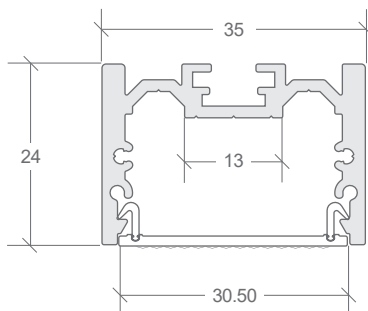
FINISH	DIFFUSER	CODE
ANODISED		BL-LP-H01V2ARP-XX
BLACK	ROLLED PRISMATIC	BL-LP-H01V2BRP-XX
WHITE		BL-LP-H01V2WRP-XX

XX = (2M) 2 METRE or (4M) 4 METRE LENGTHS

ACCESSORY	CODE
ALUMINIUM END CAP W35 × H24 × D2MM	BL-LP-H01V2X-EC
JOINER STRAIGHT	BL-LP-J101S
JOINER 90° CORNER	BL-LP-J102C
JOINER 120° CORNER	BL-LP-J121C
JOINER VERTICAL TO HORIZONTAL	BL-LP-J103VH
CABLE BASE SURFACE MOUNT	BL-LP-S104X
CABLE BASE RECESSED	BL-LP-S105X
CABLE BASE MINI 38MM	BL-LP-S112X
SUSPENSION WIRE WITH BASE	BL-LP-S106X

END CAPS SOLD INDIVIDUALLY  
X = (A) ANODISED, (B) BLACK, OR (W) WHITE

### DIMENSIONS



### INSTALLATION

