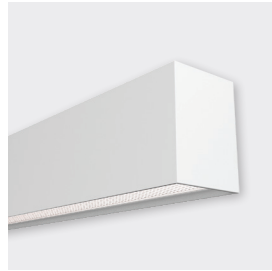


HIGHLINE 05 LUMINAIRE



HIGHLINE 05 50MM



HIGHLINE 05 78MM



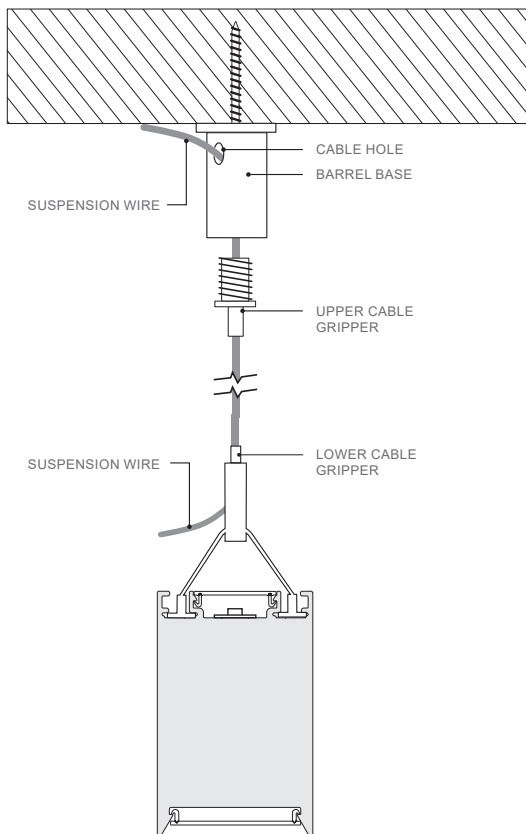
HIGHLINE 05 100MM

INSTALLATION IS TO BE DONE BY
REGISTERED ELECTRICIAN IN
COMPLIANCE WITH LOCAL STANDARDS

**NOTE: TWO PEOPLE ARE
REQUIRED FOR INSTALLATION**

A. SUSPENSION WIRE INSTALLATION INSTALLATION INTO WOOD

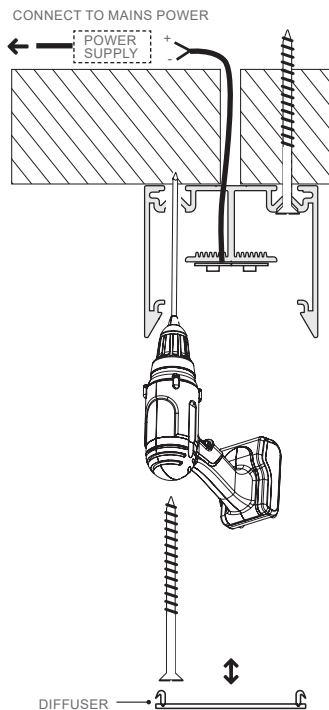
1. If suspending into pitched ceiling go to **D: PITCHED CEILING SUSPENSION**
2. If joining see separate Highline 05 Joiner installation pdf
3. Slide suspension wires to desired location along luminaire (*maximum distance of 3 metres between wires*).
4. Unscrew upper cable gripper from barrel base and screw mount barrel base to support.
5. Thread suspension cable through upper cable gripper, barrel base and out cable hole, then rescrew upper cable gripper.
6. **To adjust suspension length:** While the luminaire weight is supported, suspensions can be shortened by pulling the cable through either of the cable grippers. To lengthen, press cable gripper buttons inwards to release the wire.
7. Suspension wires can be cut down to length once installed.
8. Go to **C: ELECTRICAL CONNECTION**



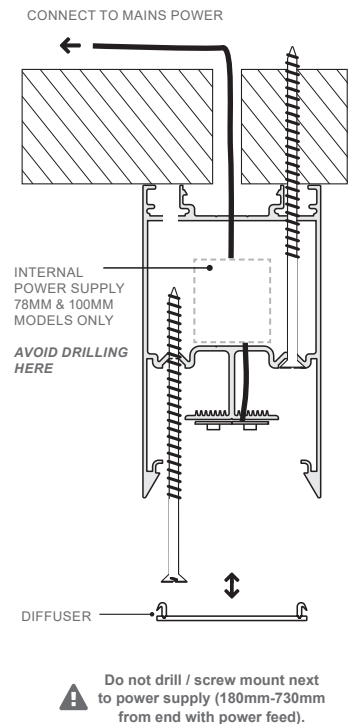
B. SURFACE MOUNTED INSTALLATION (DOWN LIGHT ONLY) INSTALLATION INTO WOOD

1. If joining see separate Highline 05 Joiner installation pdf
2. Drill cable entry hole in ceiling for LED power feed.
3. Remove diffuser, by peeling out from one end.
4. Pre-drill countersink channels for screws. For the 78mm and 100mm models, screws will need to go through two screw channel sections of the profile before they reach surface. **Do not drill / screw mount next to power supply (located 180mm-730mm from end with power feed).**
5. Screw mount profile through countersink channels. Screws are recommended **within 100mm from each end** and even spacing in the middle (*maximum distance of 1 metre between screws*).
6. Slot one end of diffuser into the end cap, then move along the luminaire length clicking diffuser into place. When 100mm from edge, bend diffuser up to slot into second end cap.
7. Go to **C: ELECTRICAL CONNECTION**

HIGHLINE 05 50MM



HIGHLINE 05 78MM / 100MM



Do not drill / screw mount next to power supply (180mm-730mm from end with power feed).

Surface not as level as you thought?

If, after installation, you notice the ceiling/surface is slightly uneven or has gaps, a quick fix is to add a touch of silicone.

Put a line of masking tape along the top luminaire edge and another along the ceiling edge, leaving the 1-2mm uneven gap exposed. Run a small line of white silicone (to match ceiling) along this exposed gap strip, smooth out with a wet finger/soft instrument. While the silicone is still wet, peel off both lines of masking tape simultaneously to leave a clean finish.

C. ELECTRICAL CONNECTION

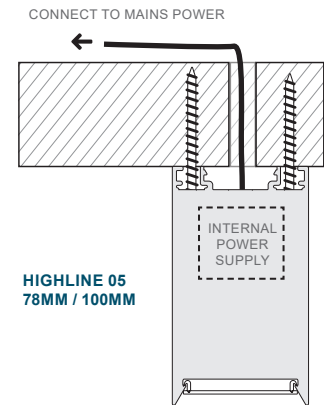
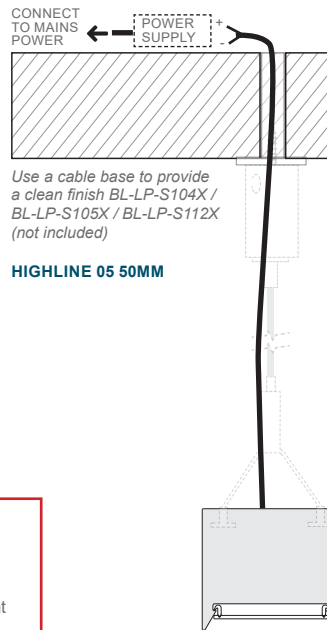
50MM MODEL

The 50mm model has an external power supply/driver which will need to be mounted in the ceiling, and then connected to mains power.

78MM & 100MM MODEL

The 78mm & 100mm models have an internal power supply/driver. The outer power feed will just need to be connected to mains power.

1. Drill cable entry hole in ceiling for power feed cable (if using cable base - see separate Cable Base installation pdf).
2. **For 50mm model:** The external power supply will need to be mounted in the ceiling. Connect mains power to the power supply/driver primary input (to be done by registered electrician in compliance with local standards) and then connect the power supply secondary to the luminaire.
3. **For 78/100mm models:** Thread power feed through hole in ceiling and connect to mains power by registered electrician in compliance with local standards.



SAFETY NOTES

If the external flexible cable or cord of this luminaire is damaged, it shall be exclusively replaced by the manufacturer or his service agent or a similar qualified person in order to avoid a hazard.

FOR INDOOR USE ONLY

The light source contained in this luminaire shall only be replaced by the manufacturer or his service agent or a similar qualified person.



CAUTION, RISK OF ELECTRIC SHOCK

INPUT CURRENT POWER FACTOR: 0.96

| | 1000-2000MM | 2025-2500MM | 2525-3000MM |
|------------------------|-------------|-------------|-------------|
| DOWN LIGHT ONLY | 0.22A MAX | 0.27A MAX | 0.33A MAX |
| UP/DOWN LIGHT | 0.37A MAX | 0.47A MAX | 0.56A MAX |

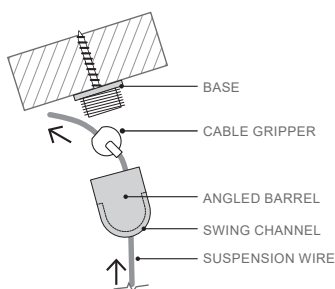
DIMMER COMPATIBILITY

Highline 05 Luminaire dimming result when tested with various dimmer brands/models

| BRAND | MODEL | DIMMING RANGE |
|------------|---------------|---------------|
| DIGINET | MMDM/RT | 0% - 100% |
| PDL ICONIC | 354RDM LED-VW | 0% - 100% |
| PDL | 624TM | 1% - 100% |
| EXCEL LIFE | EM250TR | 2% - 100% |
| EXCEL LIFE | EM400A 3PWE | 15% - 50% |

Tested at full load

D. PITCHED CEILING SUSPENSION (REQUIRES ANGLED SUSPENSION WIRE)



1. Position suspension wires to desired location (maximum distance of 3 metres between wires). Unscrew base from angled barrel and screw mount base into suitable ceiling substrate.
2. Thread suspension wire through angled barrel swing channel and feed through cable gripper.
3. The cable can be pulled upwards through cable gripper and it will prevent cable from moving backwards. The button on cable gripper can be pushed in to release cable back through.
4. Which cable firmly gripped, allow cable gripper to sit in angled barrel. Align the excess wire with the exit notch space in the base and rescrew the angled barrel onto base.
5. **To ensure the cable hangs freely, the swing channel should end up aligned to the ceiling slope, allowing the suspension wire to hang straight down.**
6. Thread the Y cable feet into the luminaire suspension channels.
7. Thread the unused suspension wire end into the Y cable gripper and out through the excess cable outlet.
8. **Use Y cable gripper to adjust suspensions:** Suspensions can be shortened by pulling the cable through excess cable outlet. To lengthen, press adjustment button inwards to release the wire.
9. Excess suspension wire can be cut off once luminaire is installed at the correct height.

