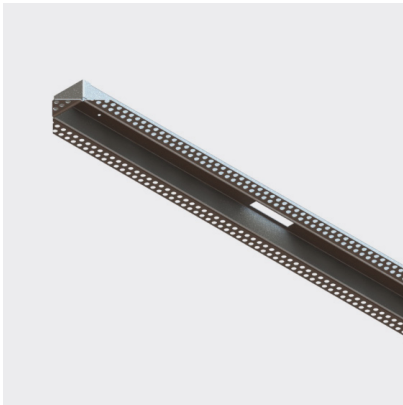
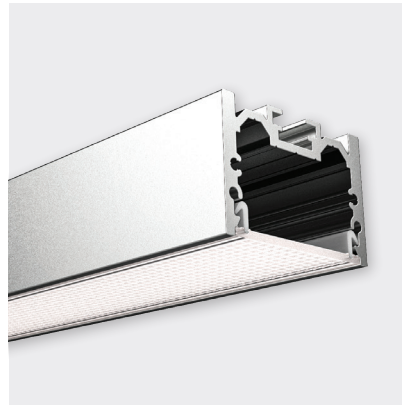


GIB CHANNEL FOR H01 | INSTALLATION



GIB CHANNEL



USED WITH HIGHLINE 01

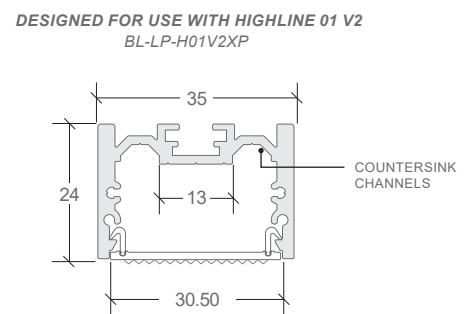
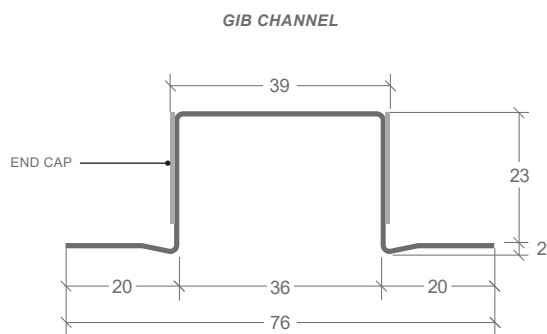
FEATURES

- Allows for a trimless recessed installation of Highline 01 V2 profile.
- The GIB Channel is installed first and plastered over for smooth finish, then Highline 01 is screw mounted directly to channel for clean, trimless result.

NOTE: TWO PEOPLE ARE REQUIRED FOR INSTALLATION

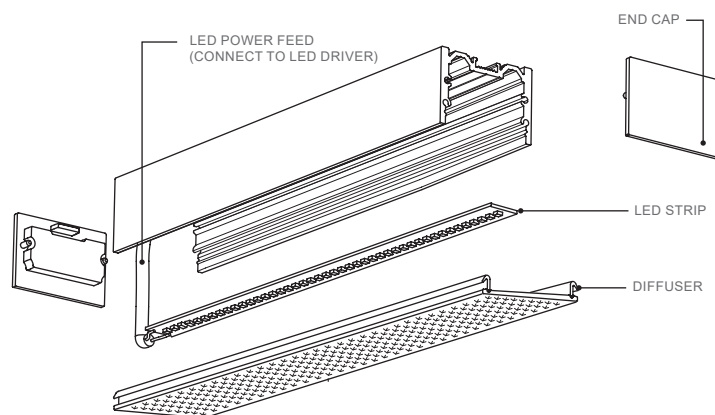
GIB CHANNEL IS SOLD IN FULL 2M LENGTHS, TO BE CUT TO LENGTH ON-SITE

PRODUCT DIMENSIONS



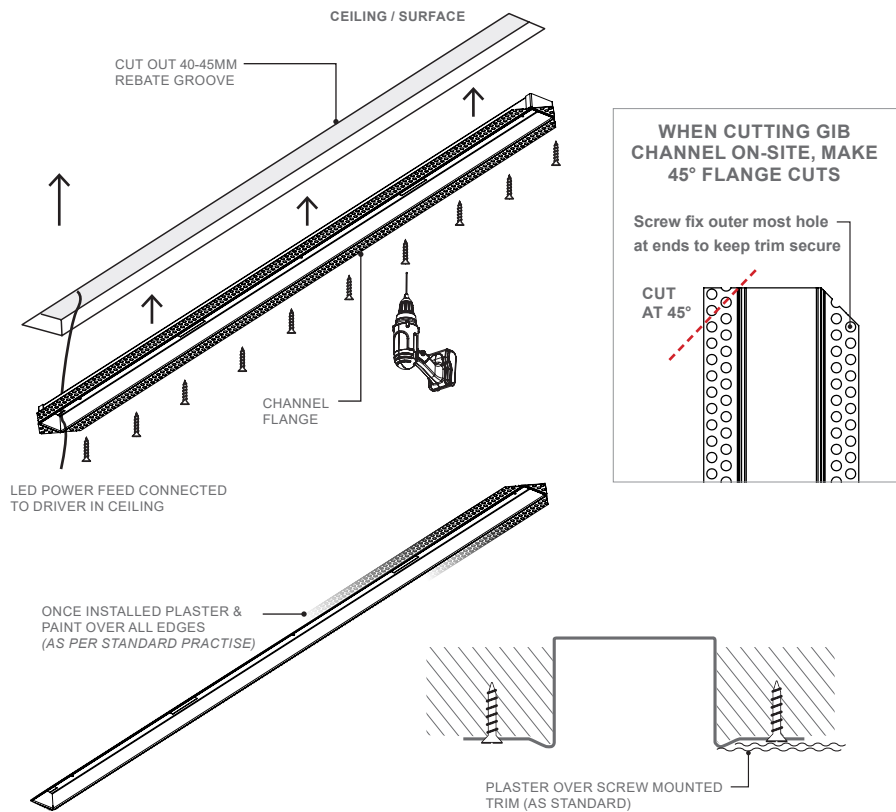
A. INSTALLING LED INTO PROFILE (IF NOT PRE-FITTED)

1. Remove diffuser from profile by peeling out from end.
2. Drill LED power feed cable entry hole in an end of the profile.
3. Thread the LED power feed through this hole, ensuring it is protected from sharp profile edges e.g. heatshrink or similar.
4. When joining two profiles or more, use the appropriate joiner and tighten screws.
5. **IMPORTANT** - Before mounting LED strip, clean profile using an alcohol based cleaner.
6. Remove 3M paper from LED strip. Use the guide lines at the back of the profile as a guide to attach the LED strip. Apply even pressure along the LED strip with anti-static (ESD) gloves.
7. Secure end caps by pressing into place.



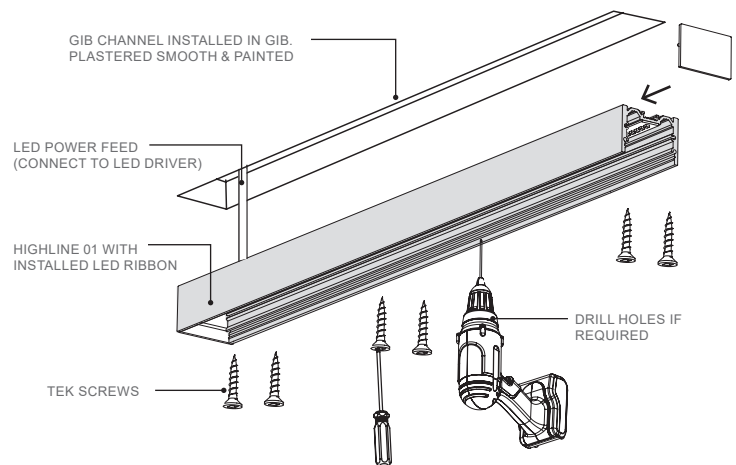
B. INSTALLING GIB CHANNEL

1. Select desired location and ensure solid battens are available to screw-fix channel flange onto.
2. Cut GIB channel to length to fit required Highline 01 profile + end caps. Use tin snips to trim end corners of the cut flange to 45° & make sure to screw fix through outer most hole to ensure flange do not lift & crack plaster (see diagram).
3. Cut out recess channel into GIB 40–45mm wide and the length of the GIB Channel + end caps.
4. Use cut outs in GIB channel for LED power feed & ensure access to power. If profile power feed cable does not align with any 'cut outs', drill cable entry hole in channel.
5. Connect LED power feed to LED driver.
6. With end caps attached, slot GIB channel into recess.
7. While one person holds it in place, screw fix GIB channel to battens & supports every 150mm to ensure edge lays flat against surface.
8. Once mounted securely, GIB Channel can be plastered into place as per normal GIB practices.



C. INSTALLING HIGHLINE 01 PROFILE INTO GIB CHANNEL (WITH PREFITTED LED RIBBON)

1. Thread LED power feed from LED in profile through cable entry hole in GIB channel. Electrical connection needs to be made by a registered electrician.
2. When joining, use the appropriate joiner and tighten screws.
3. If necessary, remove diffuser from profile by peeling out from end.
4. Fit end caps into Highline 01 (if not prefitted)
5. Insert Highline 01 into mounted GIB channel and have one person holding profile in place.
6. Secure Highline 01 every 500mm with Tek screws or self drilling screws through countersink channels into GIB channel. *GIB channel comes with predrilled holes for profile mounting, however new holes may need to be drilled if required.*
7. Attach diffuser to profile by clicking in securely.



C. STEP 7 - ATTACHED DIFFUSER

