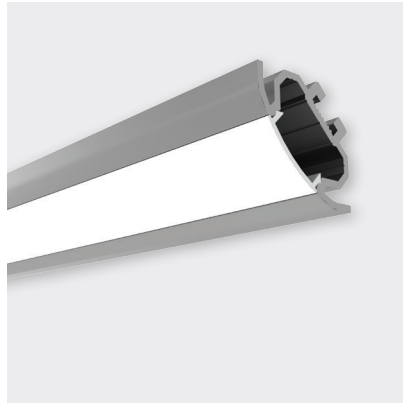
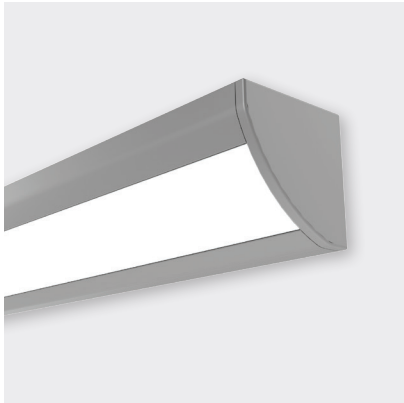




## BASELINE 05



### FEATURES

- 45° angle
- W25 × H25mm
- Opal polycarbonate diffuser
- Anodised aluminium, black, or white powder-coat
- Surface or corner mount
- Provides thermal management for LED ribbon up to a maximum of Pro 30 or equivalent
- Where the profile is mounted with indirect light glare management is not required and provided thermally safe, can have higher wattage LED products

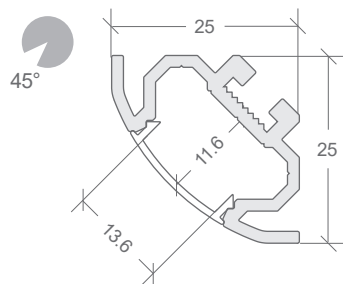
| DIFFUSER | FINISH   | CODE           |
|----------|----------|----------------|
| OPAL     | ANODISED | BL-LP-B05AO-XX |
|          | BLACK    | BL-LP-B05BO-XX |
|          | WHITE    | BL-LP-B05WO-XX |

XX = (2M) 2 METRE or (4M) 4 METRE LENGTHS

| ACCESSORY                             | CODE          |
|---------------------------------------|---------------|
| ALUMINIUM END CAP<br>W25 × H25 × D2MM | BL-LP-B05X-EC |
| JOINER STRAIGHT                       | BL-LP-J101S   |
| JOINER 90° CORNER                     | BL-LP-J102C   |
| JOINER 120° CORNER                    | BL-LP-J121C   |
| JOINER VERTICAL TO HORIZONTAL         | BL-LP-J103VH  |

END CAPS SOLD INDIVIDUALLY  
X = (A) ANODISED, (B) BLACK, OR (W) WHITE

### DIMENSIONS



### INSTALLATION

