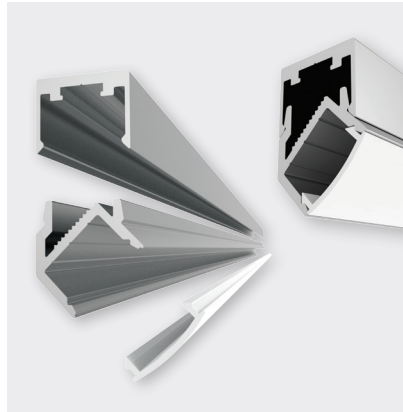
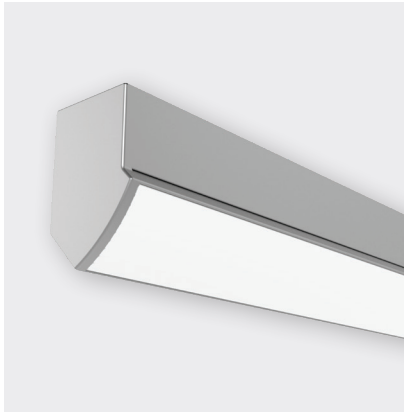




## TECHLINE 08



### FEATURES

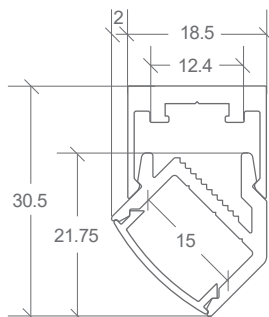
- Opal polycarbonate diffuser
- Anodised aluminium, black or white powder-coat
- 2-Part Profile Mounting System
- Wall or surface washer
- Surface mount

DIFFUSER	FINISH	CODE	ACCESSORY	CODE
OPAL	ANODISED	BL-LP-T08AO-XX	ALUMINIUM END CAP - LEFT <i>W20.5 x H30.76 x D2MM (3MM INSERT)</i>	BL-LP-T08X-LEC
	BLACK	BL-LP-T08BO-XX	ALUMINIUM END CAP - RIGHT <i>W20.5 x H30.76 x D2MM (3MM INSERT)</i>	BL-LP-T08X-REC
	WHITE	BL-LP-T08WO-XX	JOINER STRAIGHT	BL-LP-J101S
			JOINER 90° CORNER	BL-LP-J102C
			JOINER 120° CORNER	BL-LP-J121C
			JOINER VERTICAL TO HORIZONTAL	BL-LP-J103VH
			CABLE BASE SURFACE MOUNT	BL-LP-S104X
			CABLE BASE RECESSED	BL-LP-S105X
			CABLE BASE MINI 38MM	BL-LP-S112X
			SUSPENSION WIRE WITH BASE	BL-LP-S106X

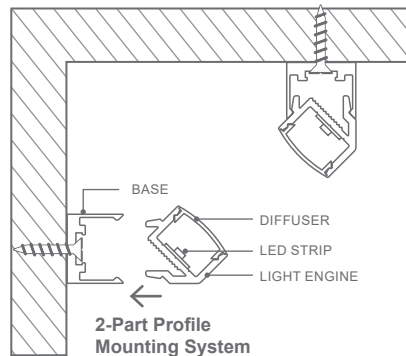
XX = (2M) 2 METRE OR (4M) 4 METRE LENGTHS  
NOT ALL FINISH COLOURS ARE EX. STOCK, LEAD TIMES MAY APPLY.

END CAPS SOLD INDIVIDUALLY  
X = (A) ANODISED, (B) BLACK, OR (W) WHITE

### DIMENSIONS



### INSTALLATION



The Techline range **2-Part Profile Mounting System** allows for the pre-installation of LED ribbon prior to screw mounting base, then simply 'clip' assembled light engine in.

### ACCESSORIES



BL-LP-T08X-EC\*

\* A PAIR OF ALUMINIUM END CAPS ARE REQUIRED AS PART OF THE INSTALLATION