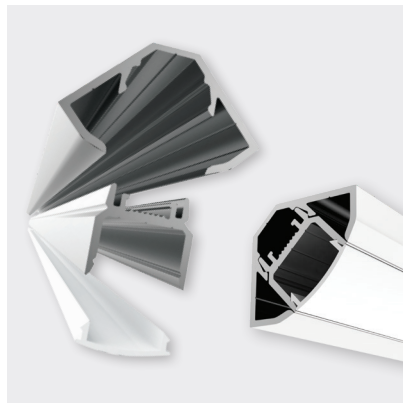
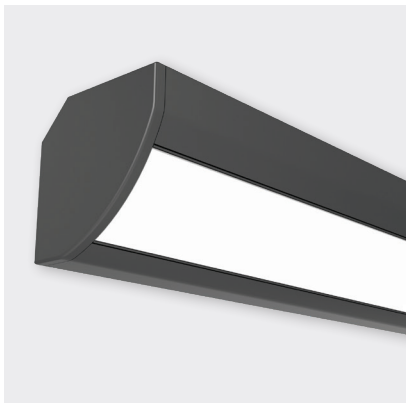




## TECHLINE 02



### FEATURES

- Opal or clear polycarbonate diffuser
- Black or white powder-coat
- 2-Part Profile Mounting System
- Wall, ceiling or corner mounted
- Surface mount

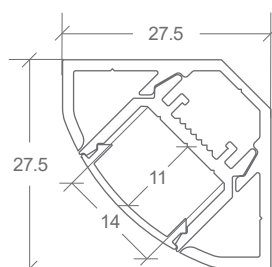
DIFFUSER	FINISH	CODE
OPAL	BLACK	BL-LP-T02BO-XX
	WHITE	BL-LP-T02WO-XX
CLEAR	BLACK	BL-LP-T02BC-2M
	WHITE	BL-LP-T02WC-2M

XX = (2M) 2 METRE OR (4M) 4 METRE LENGTHS  
 NOT ALL FINISH COLOURS ARE EX. STOCK, LEAD TIMES MAY APPLY.

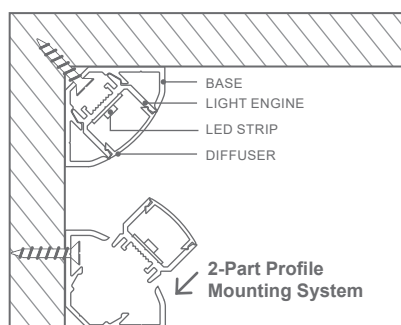
ACCESSORY	CODE
ALUMINIUM END CAP W27.5 × H27.5 × D2MM (3MM INSERT)	BL-LP-T02X-EC
JOINER STRAIGHT	BL-LP-J101S
JOINER 90° CORNER	BL-LP-J102C
JOINER 120° CORNER	BL-LP-J121C
JOINER VERTICAL TO HORIZONTAL	BL-LP-J103VH

END CAPS SOLD INDIVIDUALLY  
 X = (A) ANODISED, (B) BLACK, OR (W) WHITE

### DIMENSIONS

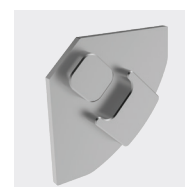


### INSTALLATION



The Techline range **2-Part Profile Mounting System** allows for the pre-installation of LED ribbon prior to screw mounting base, then simply 'clip' assembled light engine in.

### ACCESSORIES



BL-LP-T02X-EC

\* A PAIR OF ALUMINIUM END CAPS ARE REQUIRED AS PART OF THE INSTALLATION