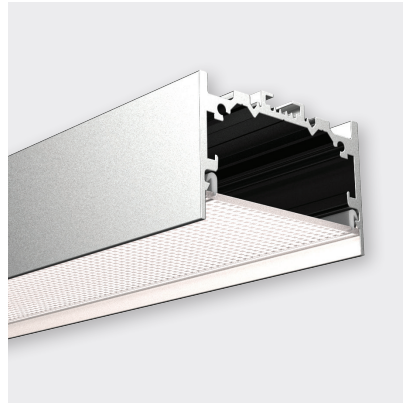




HIGHLINE 02



FEATURES

- W51.2 × H33mm
- Prismatic diamond-cut diffuser (continuous up to 50m)
- Anodised aluminium, black or white powder-coat finishes
- Suspend or surface mount
- General and task lighting
- Provides thermal management for LED ribbon up to a maximum of Pro 30 or equivalent
- Semi-recessed diffusers have a lower glare perception and provided thermally safe, can have higher wattage LED products.

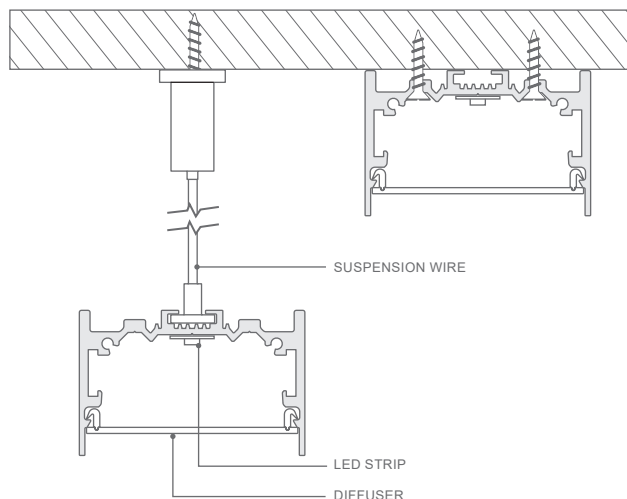
FINISH	DIFFUSER	CODE
ANODISED		BL-LP-H02V2ARP-XX
BLACK	ROLLED PRISMATIC	BL-LP-H02V2BRP-XX
WHITE		BL-LP-H02V2WRP-XX

XX = (2M) 2 METRE or (4M) 4 METRE LENGTHS

ACCESSORY	CODE
ALUMINIUM END CAP W51.2 × H33 × D3MM	BL-LP-H02V2X-EC
JOINER STRAIGHT	BL-LP-J211
CABLE BASE SURFACE MOUNT	BL-LP-S104X
CABLE BASE RECESSED	BL-LP-S105X
CABLE BASE MINI 38MM	BL-LP-S112X
SUSPENSION WIRE WITH BASE	BL-LP-S106X

END CAPS SOLD INDIVIDUALLY
X = (A) ANODISED, (B) BLACK, OR (W) WHITE

DIMENSIONS



INSTALLATION

