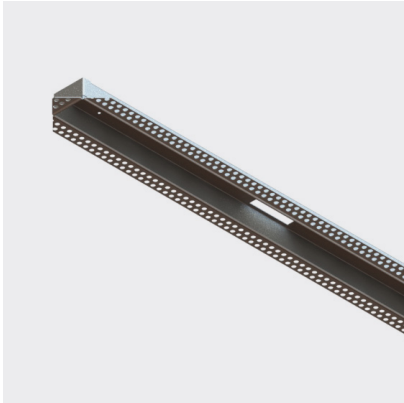
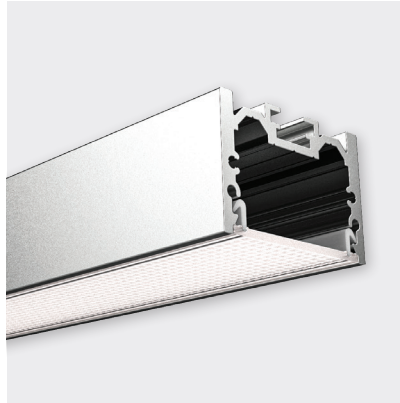


GIB CHANNEL FOR HIGHLINE 01 PROFILE



GIB CHANNEL



USED WITH HIGHLINE 01

FEATURES

- Allows for a trimless recessed installation of Highline 01 V2 profile.
- The GIB Channel is installed first and plastered over for smooth finish, then Highline 01 is screw mounted directly to channel for clean, trimless result.

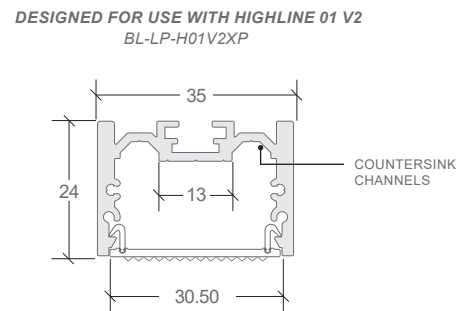
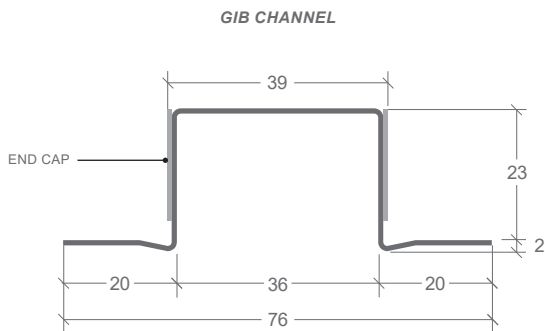
NOTE: TWO PEOPLE ARE REQUIRED FOR INSTALLATION

GIB CHANNEL IS SOLD IN FULL 2M LENGTHS, TO BE CUT TO LENGTH ON-SITE

CODE	DESCRIPTION
BL-LP-GIBH01-2M	GIB Channel 2 Metres - for H01 profile
BL-LP-GIBH01-EC	GIB Channel End Cap - for H01 profile

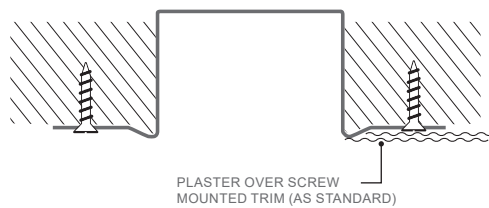
GIB CHANNEL IS SOLD IN FULL 2M LENGTHS, TO BE CUT TO LENGTH ON-SITE

PRODUCT DIMENSIONS



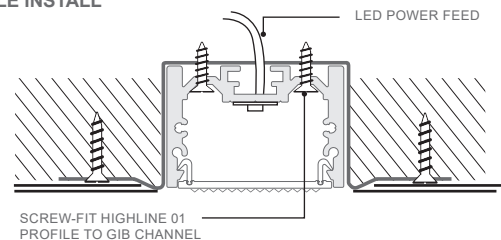
INSTALLATION - REFER TO INSTALLATION GUIDE FOR DETAILED INSTRUCTIONS

GIB CHANNEL



1. Rebate GIB channel into 40-45mm groove and screw-fix via trim holes.
2. Plaster trim surface as standard.

PROFILE INSTALL



1. Screw-mount assembled Highline 01 profile into installed GIB channel with tek screws.