

## CABLE BASE Ø80MM



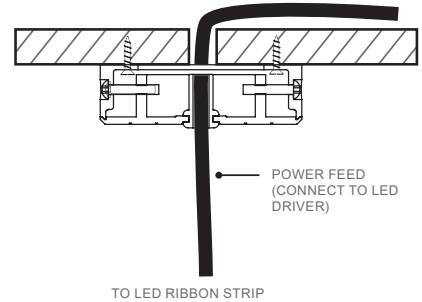
SURFACE MOUNT



RECESS MOUNT

### SURFACE MOUNT INSTALLATION

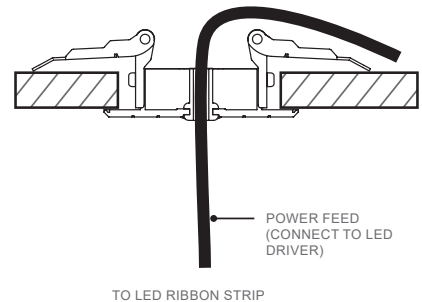
SEE INSTALLATION GUIDE FOR MORE INFO



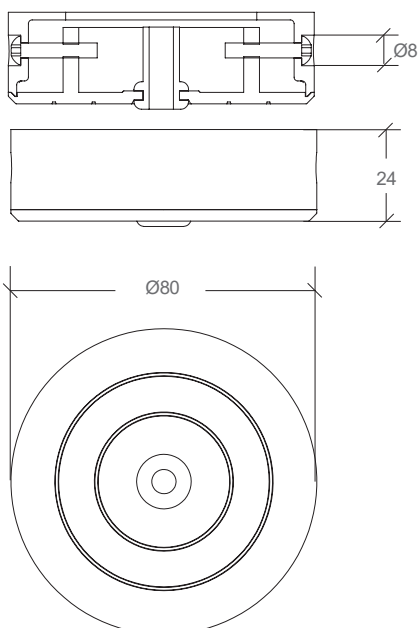
MOUNTING	FINISH	CODE	DIMENSIONS
SURFACE MOUNT	ANODISED	BL-LP-S104A	Ø80 × H22MM
	BLACK	BL-LP-S104B	
	WHITE	BL-LP-S104W	
RECESS MOUNT	ANODISED	BL-LP-S105A	Ø80 × H20MM (3mm exposed)
	BLACK	BL-LP-S105B	
	WHITE	BL-LP-S105W	

### RECESSED MOUNT INSTALLATION

SEE INSTALLATION GUIDE FOR MORE INFO



### SURFACE MOUNT DIMENSIONS



### RECESS MOUNT DIMENSIONS

