

BRIGHTLIGHT CODE: BL-PS-15-24

APPLICATIONS

The LED power supply BL-PS-15-24 is exclusively designed for Light Emitting Diode (LED) lamps used indoors. It is a switch mode power supply with 24V/DC constant output voltage.

An electronic protection circuit switches off the power supply in case of short circuit or overload in the secondary circuit, overheat as well as open circuit. After the removing of the faults, the LED power supply resets automatically for operation.

IMPORTANT INFORMATION

The unit conforms to the directive **2004/108/EC** for the electromagnetic compatibility and the low voltage directive **2006/95/EC**.

- The LED power supply can only be used with LED luminaires.
- The LED power supply is only suitable for use indoors. Protect the LED power supply against excessive heat (permissible operating temperature range -20 to +45°C).

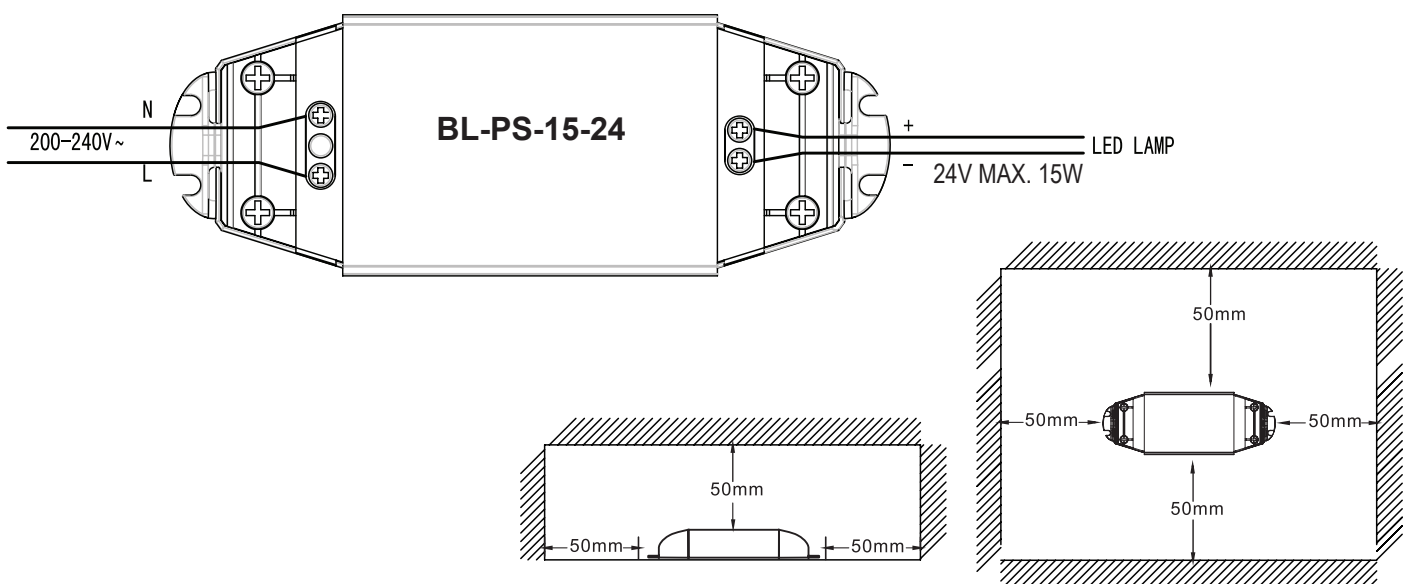
The load indicated on the power supply must not exceed the following values:

BL-PS-15-24: 0-15W

- Connect the LED luminaire to the LED power supply with correct polarity according to the schematic drawing.
- It is recommended that the maximum length of the output cable to the LED luminaire should not exceed 10metres.
- If the LED power supply is used for purposes other than originally intended or is connected in the wrong way, no liability can be taken for possible damages.

SPECIFICATIONS

Input voltage:	200-240V +/-10% 50Hz
Input current:	<0.25A
Output voltage:	24V/DC +/-1V
Rated power:	15W
Protection degree:	IP20
Ambient temperature (ta):	Max. 45°C
Case temperature (tc):	Max. 80°C
Primary cable:	H03VVH2-F 2x0.75mm ²
Secondary cable:	H03VVH2-F 2x0.75mm ²



Mounting Location Dimension

Actual product characteristics may vary. Bright Light reserves the right to improve, modify or update the product designs without prior notice.