

100W | 24V | CONSTANT VOLTAGE POWER SUPPLY | IP20



CODE	BL-PS-100-24
INPUT VOLTAGE	220–240V 50/60Hz
INPUT CURRENT	<0.7A
OUTPUT WATTS	100W
OUTPUT VOLTAGE	24V DC
DISTANCE FROM INSTALLATION (Secondary Output)	Recommended under 10 metres
INGRESS PROTECTION	IP20
ELECTRICAL PROTECTION	Overload, short circuit, overheat, and automatic re-start
CONNECTION METHOD	Concealed screw terminals
CONTROL	Dimmable on the secondary output only by PWM
WARRANTY	3 years
COMPLIANCE	

APPLICATIONS

The LED power supply BL-PS-100-24 is exclusively designed for Light Emitting Diode (LED) lamps used indoors. It is a switch mode power supply with 24V DC constant output voltage.

An electronic protection circuit switches off the power supply in case of short circuit or overload in the secondary circuit, overheat as well as open circuit. After the removal of the fault, the LED power supply resets automatically for operation.

IMPORTANT INFORMATION

The unit conforms to the directive **2014/30/EU** for the electromagnetic compatibility and the low voltage directive **2014/35/EU**.

- The LED power supply can only be used with LED luminaires.
- The LED power supply is only suitable for use indoors. Protect the LED power supply against excessive heat (permissible operating temperature range -20 to +45°C).

INSTALLATION

- Connect the LED luminaire to the LED power supply with correct polarity.
- If the LED power supply is used for purposes other than originally intended or is connected in the wrong way, no liability can be taken for possible damages.
- Do not exceed the load indicated on the power supply

Ambient temperature (ta)

Max. 45°C

Case temperature (tc)

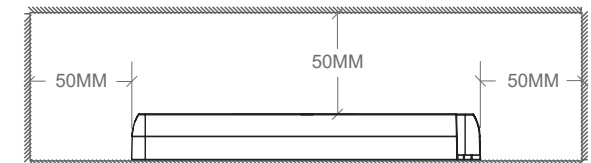
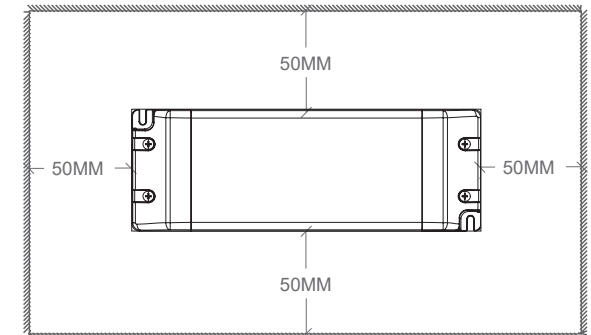
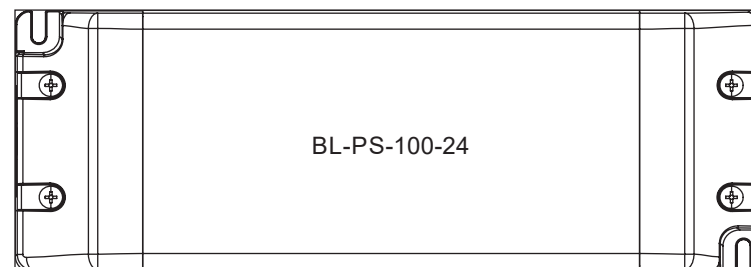
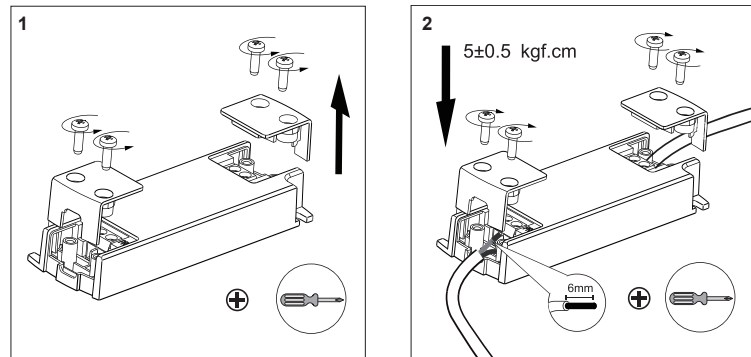
Max. 90°C

Primary cable

H03VVH2-F 2×0.75mm²

Secondary cable

H05VVH2-F 2×1.0mm²



Maintain 50mm space around sides of power supply