

# T1 2.4G LED Dimming Controller



T1



T3-CV



T3-CC



T1 is the 2.4GHz RF wireless synchronization/zone dimming controller which adopts LTECH multiple global initiate technology. The control system consists of two parts, the RF remote control and receiver, realize the signal synchronization on multiple receivers, zone controlled arbitrarily (no more than 8 zones) within effective distance, a very good solution for the LED project needs sync/zone control wirelessly.

Can RF remote the functions of dimming, quick brightness selection and DIY and so on. User-friendly color wheel for brightness adjustment, unique LED state light for sync change indicated, user can simply know the LED working state from distance by checking the remote.

## 1. Technical Specs:

### T1 Remote Control

- Input Voltage: DC5V Built-in Lithium Battery
- Working Current: ≤30mA
- Working Frequency: 2.4GHZ
- RF Remote Distance: 30m
- Remote Option: Sync or Zone Control

- Battery Capacity: 1000mAh
- Standby Time: ≤6 Months
- Dimensions: L145×W55×H22(mm)
- Package Size: L168×W102×H28(mm)
- Weight (G.W.): 200g

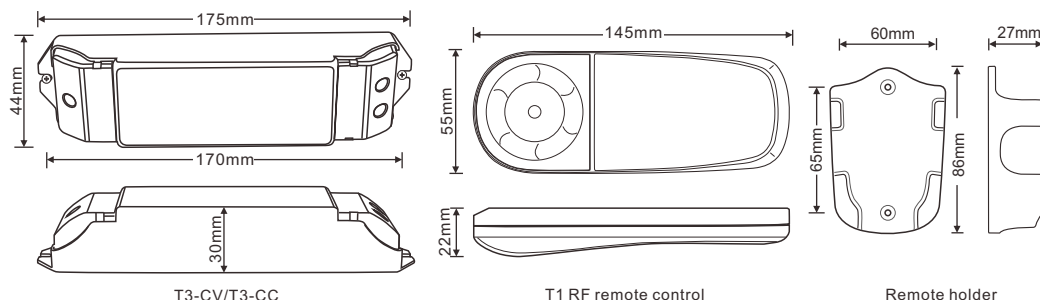
### T3-CV Receiving controller

- Input voltage: DC5V-DC24V
- Max current load: 6A×3CH Max 18A
- Max output power: 90W/216W/432W(5V/12V/24V)
- Compatible remote control: T1/T2/T2M/T3/T3M/T3X
- Working temperature: -30℃~55℃
- Dimension: L175×W44×H30(mm)
- Package size: L178×W48×H33mm
- Weight (G.W.): 110g

### T3-CC Receiving controller (current 3 in 1)

- Input voltage: DC12V-DC48V
- Output voltage: DC3V-DC46V
- Output current: CC 350/700/1050mA ×3CH
- Output power: 1.05W~48.3W ×3CH Max 144.9W
- Compatible remote control: T1/T2/T2M/T3/T3M/T3X
- Working temperature: -30℃~55℃
- Dimension: L175×W44×H30(mm)
- Package size: L178×W48×H33mm
- Weight (G.W.): 110g

## 2. Product Size:



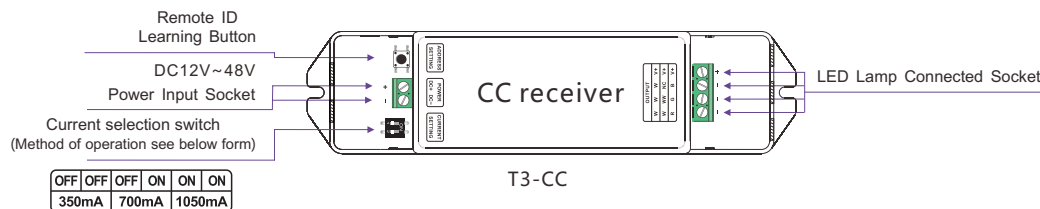
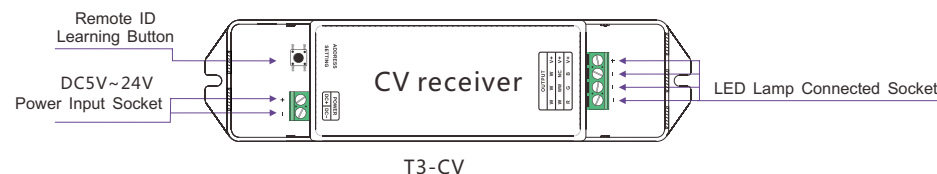
## 3. The learning ID method of remote control:

### Learning ID:

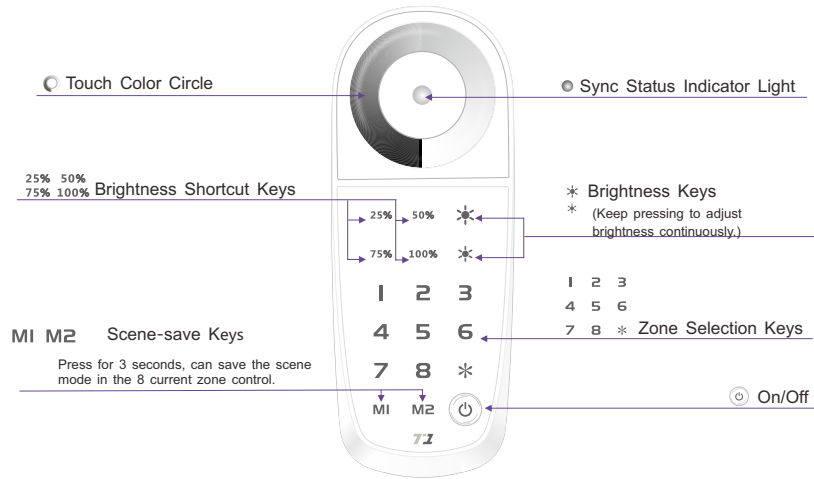
1. Turn on the receiver and remote control
  2. Short press "ID learning button" on the receiver, the running light keeps on, then long press 1-8 zone-selection keys on the remote, the running light returns to flash (the buzzer long beep, the indicator light flashes 3 times), activated successful.
- If installing multiple receivers in one zone, repeat the above steps, choose the same area key when ID learning.

### Cancelling ID:

1. Turn on the receiver and remote control.
2. Press "ID learning button" on the receiver more than 8 seconds, the buzzer beep twice, delete all the learned remote.



4. Operation Panel and Component Instruction:



Zone selection keys instruction

- Select one of the zone: press keys 1-8 on the remote control.
  - Select zone control arbitrarily: press " \*+any number+\* ", eg: take 456 as a zone, should press " \*456\* ".
  - All choose(8 zones): press " \* " twice.
  - When a zone is under inactive state, press the "zone selection key" to light up that zone.
- ★Press "ZONE SELECTION KEYS" \* in 3 seconds, the buzzer can be on or off.

5. Other Special Functions:

A. Reset Function:

**Feature:** Reset function is available when remote operates abnormally.  
**Operation:** Long press simultaneously, release the 2 keys after 3 seconds, the remote will auto off, means reset completed. and then could restart the remote.

B. Check and Edit the Frequency Point on the Remote:

**Feature:**  
 a. Revising the frequency point to eliminate the external disturbance. 12 revisable frequency points for user.  
 b. Multiple remotes sync-control becomes available when they use the same frequency point.

**Attn:** After reset or revised the frequency points in the remote, receivers only can be used after relearn the ID.

Check the Frequency Point on the Remote:

Turn on the remote, long press the on/off key for 5 seconds until the white light flashes 3 times, and then the white light flashes, the numbers of the green flash will be the frequency point of the remote. you can only edit the frequency point after 3 seconds.

Edit the Frequency Point on the Remote: In frequency changing state

Method 1: short press any key from 1-8 and \* key, the frequency point will be 1-9 correspondingly(\*represent 9), the white light will flash in the same numbers. Press again any key or touch the color circle to exit the frequency edit state.

Method 2: long press "on/off" key over 5 seconds, the white light flashes, the flash times plus 1 means the frequency point accumulate 1. In short, long press the "on/off" key 5 seconds each time, the frequency point will accumulate 1, which will again become value 1 when added to 12, and that cycle repeats.

6. System Diagram:

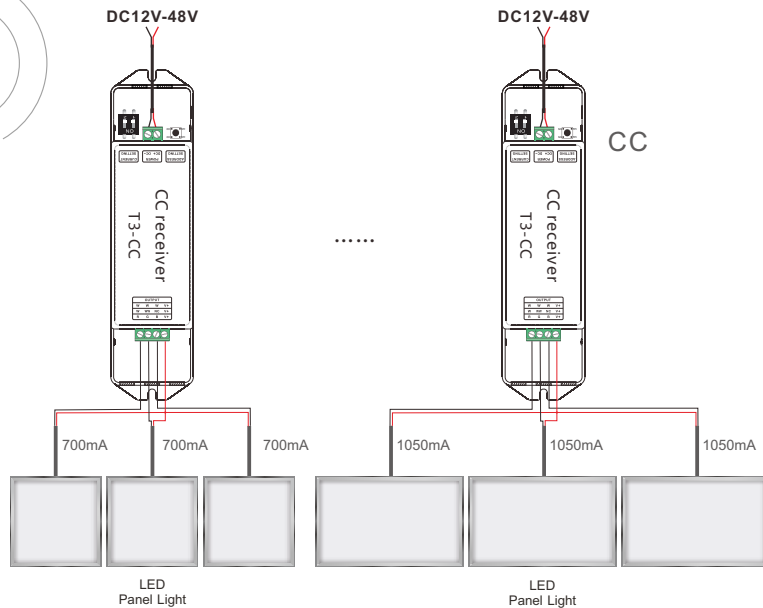
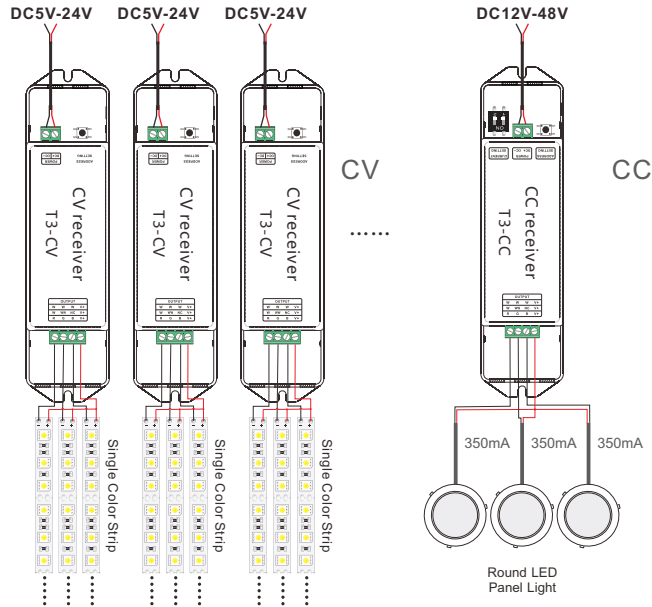
Unlimited receivers can be installed in per zone within the effective distance, no wiring needed between the receivers, the installed number of LED receivers in per zone can be increased or decreased at any time based on the actual requirements. if you want to increase or decrease the receivers, just activate or cancel the control ID on the remote control will be fine, no any changes and effects on other receivers.

After installation, customers have three zone-control choices via remote control :

1. Chose one zone separately: anyone zone in 1-8 zones.
2. Choose combination zone-control arbitrarily: the arbitrary zone-control combination are available in 1-8 zone, such as 246, 678 etc.
3. All choose: choose all 1-8 zone.



7. Wiring Diagram:



8. The Charging Methods for Remote Control:

1. When charging, please connect USB cable to the mobile charger or computer with the USB interface.
2. The downside white light of 3 in 1 white LED indicator flickers while charging, and the upside white indicator light is on, means the charging is finished. The remote control can be chargeable even at the OFF state, on which the indicator light is black.
3. No memory effect in the lithium battery of remote control. Follow the standard charging procedure, no need for overcharge for the first 3 times .
4. Indicator light flickers(the right side white indicator light is on) meaning low battery and need to be charged. charging in low battery will affect life of battery.
5. The remote should be full charged and stored under low cold drying while a long time without being operated. And please full recharge every 3 months.

9. Attention:

1. The product shall be installed and serviced by a qualified person.
2. This product is non-waterproof. Please avoid the sun and rain. When installed outdoors please ensure it is mounted in a water proof enclosure.
3. Good heat dissipation will prolong the working life of the controller. Please ensure good ventilation.
4. Please check if the output voltage of any LED power supplies used comply with the working voltage of the product.
5. Please ensure that adequate sized cable is used from the controller to the LED lights to carry the current. Please also ensure that the cable is secured tightly in the connector.
6. Ensure all wire connections and polarities are correct before applying power to avoid any damages to the LED lights.
7. If a fault occurs please return the product to your supplier. Do not attempt to fix this product by yourself.

10. Warranty Agreement:

1. We provide lifelong technical assistance with this product:
  - A 5-year warranty is given from the date of purchase. The warranty is for free repair or replacement and covers manufacturing faults only.
  - For faults beyond the 5-year warranty we reserve the right to charge for time and parts.
2. Warranty exclusions below:
  - Any man-made damages caused from improper operation, or connecting to excess voltage and overloading.
  - The product appears to have excessive physical damage.
  - Damage due to natural disasters and force majeure.
  - Warranty label, fragile label and unique barcode label have been damaged.
  - The product has been replaced by a brand new product.
3. Repair or replacement as provided under this warranty is the exclusive remedy to the customer. LTECH shall not be liable for any incidental or consequential damages for breach of any stipulation in this warranty.
4. Any amendment or adjustment to this warranty must be approved in writing by LTECH only.

★This manual only applies to this model. LTECH reserves the right to make changes without prior notice.