

SENSOR EDGE RF WIRELESS



CODE
BL-PC-SENSA-M

FUNCTION	
-	Perfect for doors or drawers
-	Switches light on when door/drawer is opened or movement detected. Switches light off when magnetic contact made (door / drawer closed) or after set timer count (set on receiver).
-	Frequency of 433.92 MHz
-	Requires receiver

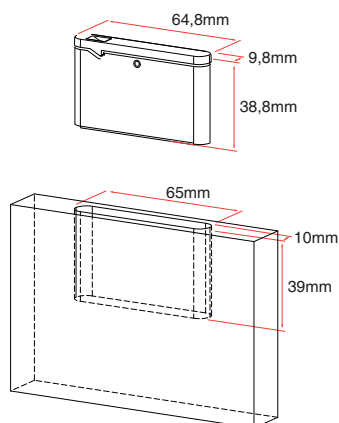
OUTPUT VOLTS	CR2450 Battery
BATTERY LIFE	Approx. 3 years

DIMENSIONS	W64.8 × D38.8 × H9.8mm
CUT OUT	<i>Top-joint face plate:</i> W65 × D39 × H10mm <i>Top-screw face plate:</i> (in addition to above) W90 × D4 × H10mm
HOUSING	PVC casing
MOUNTING	Recessed mount via top-joint or top-screws face plates
WARRANTY	5 years

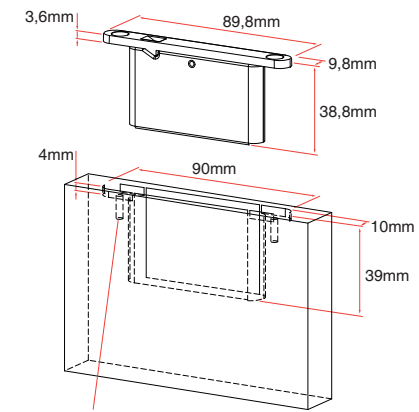
INGRESS PROTECTION	Indoor use only
CONTROL	RF (requires receiver)
FREQUENCY	433.92 MHz
MAX. DISTANCE FROM RECEIVER	Up to 20m inside building

COMPLIANCE 

TOP-JOINT VERSION



TOP-SCREW VERSION



Preparation hole for self-tapping screws with countersunk head.
Max screw diameter 3.5mm