

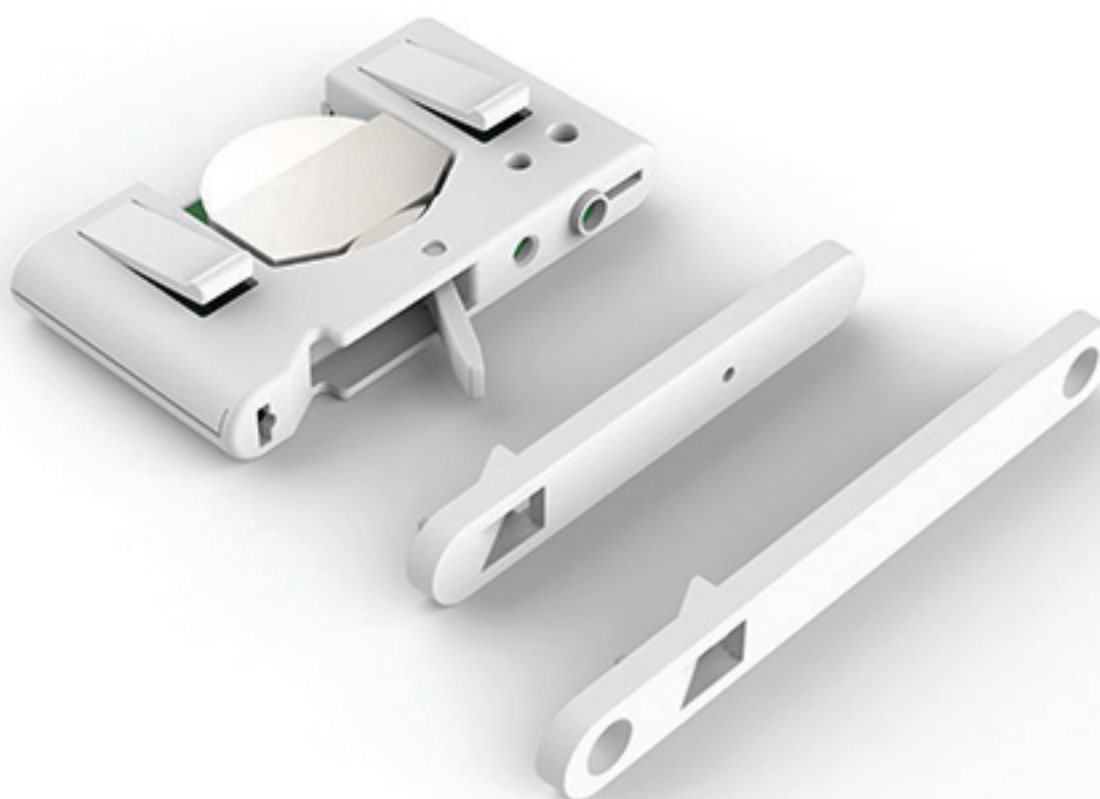
SENSA-T

SENSA-M



SENSA T Motion sensor. Turns on the light when the user opens the door and turns off it automatically after a fixed time. The timer countdown is activated everytime a movement of the door is detected. It can be installed in every tipe of swing door, folding door, drawer and light sliding door.

SENSA M Motion and magnetic sensor. Turns on the light when the user opens the door and turns off it automatically after a fixed time or recognizing a magnetic contact. The timer countdown is activated everytime a movement of the door is detected. It can be installed in every tipe of door and drawer. Suggested for heavy and damped



INDEX

1 - PRODUCT FEATURES

1.1 - TECHNICAL DATA

2 - PREPARATION ON DOOR

2.1 - SENSOR DIMENSIONS AND WORK ON DOOR

2.2 - POSITION OF REED CONTACT FOR MAGNET

2.3 - MAGNET INSTALLATION

3 - DESCRIPTION OF THE SENSOR

3.1 - DESCRIPTION

3.2 - USE OF THE SENSOR

4 - RADIO PROGRAMMING

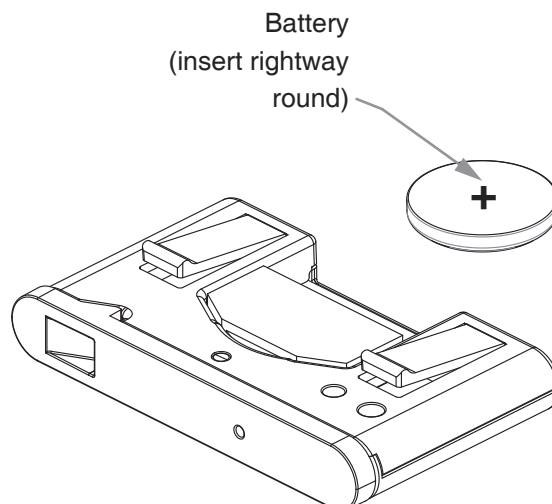
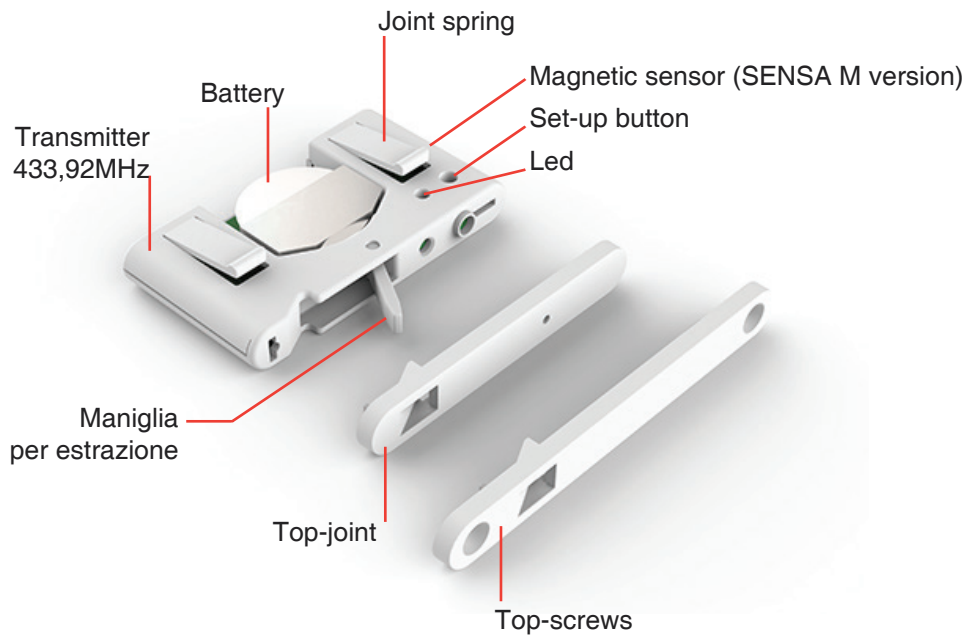
5 - RADIO DELETION

6 - SETTING SENSOR SENSITIVITY

1 - PRODUCT FEATURES

1.1 TECHNICAL DATA

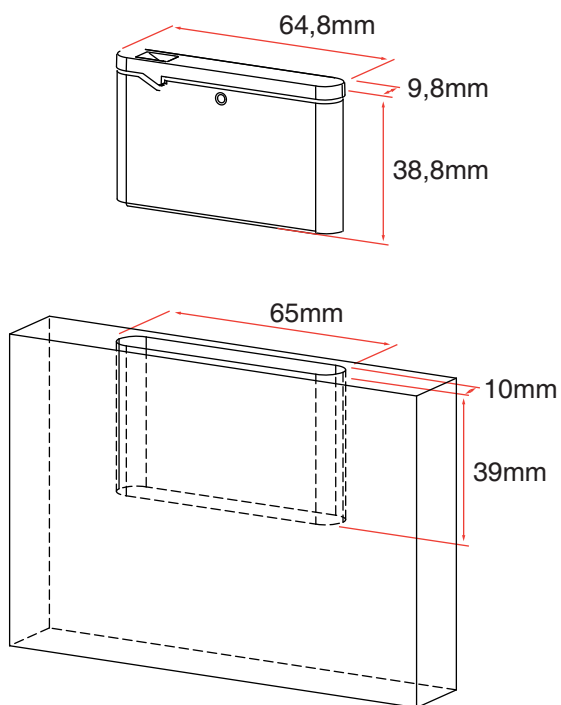
	SENSA T	SENSA M
Power supply	Battery CR 2450	
Battery life	4,5 years with 30 activation per day	
Code	Rolling code	
Frequency	433,92 MHz ISM	
Range	50m (20 m inside a building)	
Technology	Motion recognition	Motion recognition and magnetic contact



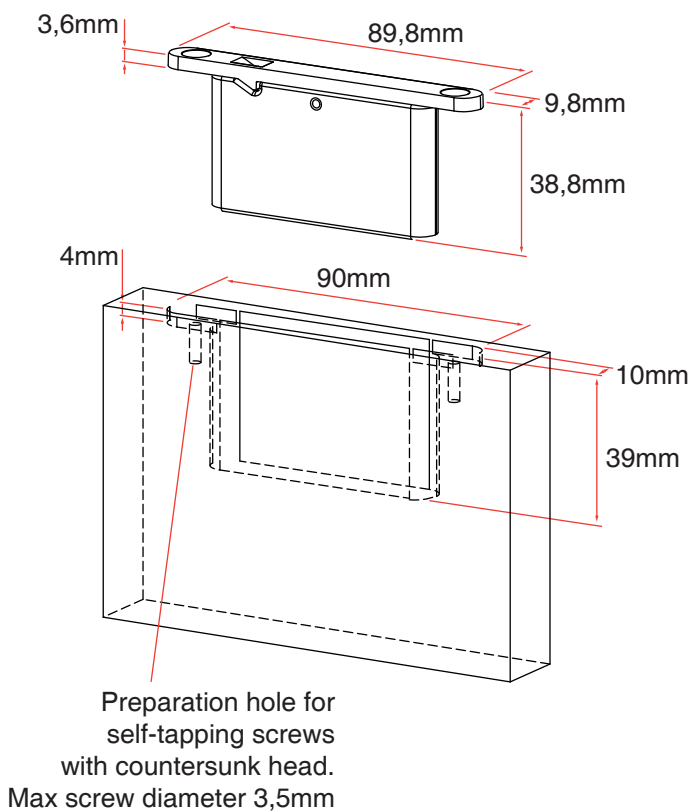
2 - PREPARATION ON DOOR

2.1 CUTTING ON THE DOOR

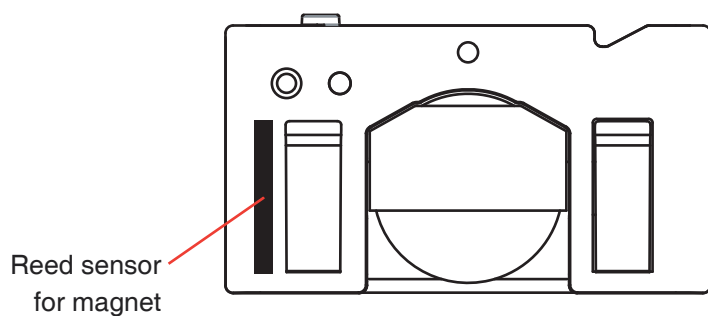
TOP-JOINT VERSION



TOP-SCREWS VERSION



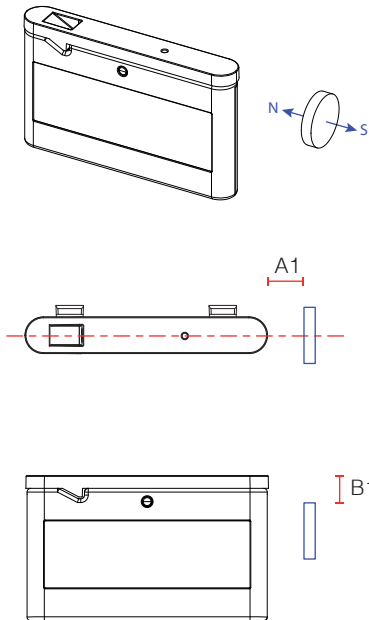
2.2 POSITION OF REED CONTACT FOR MAGNET ("SENSA M" VERSION)



2.3 MAGNET INSTALLATION ("SENSA M" VERSION)

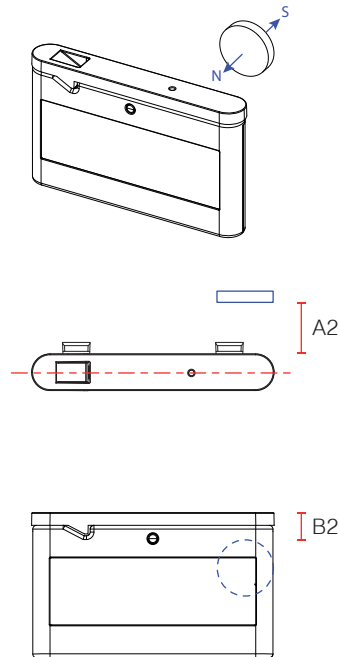
AXIAL MAGNET INSTALLATION (Sensa M + MAG153A or MAG225A)

POSITION A1



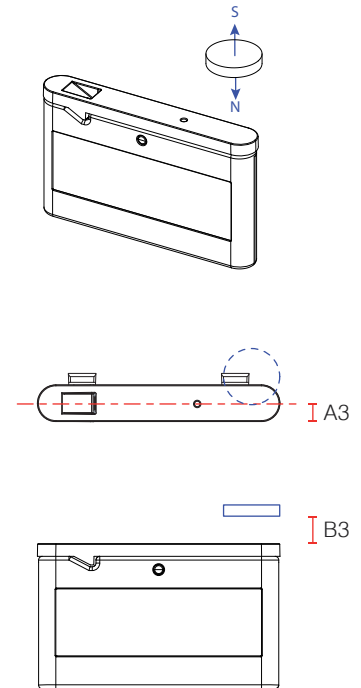
- A1 (con MAG153A): max 15mm
- A1 (con MAG225A): max 30mm
- B1: 5mm

POSITION A2



- A2 (con MAG153A): max 15mm
- A2 (con MAG225A): max 30mm
- B2: 5mm

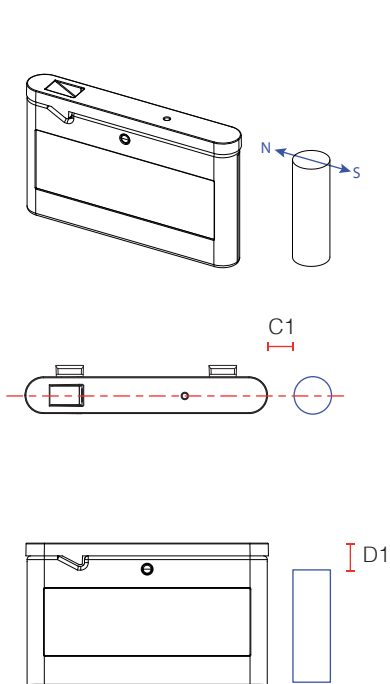
POSITION A3



- A3: 5mm
- B3 (con MAG153A): max 15mm
- B3 (con MAG225A): max 30mm

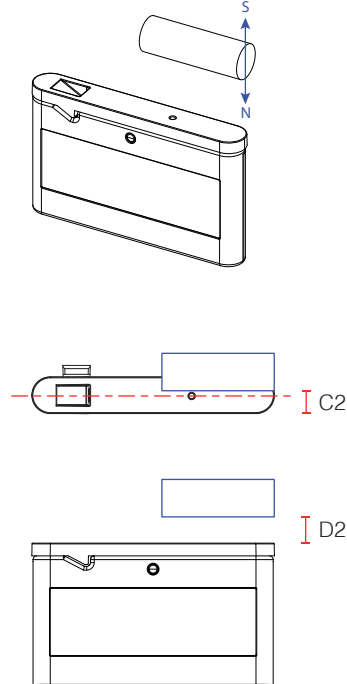
DIAMETRICAL MAGNET INSTALLATION (Sensa M + MAG1030D)

POSITION D1



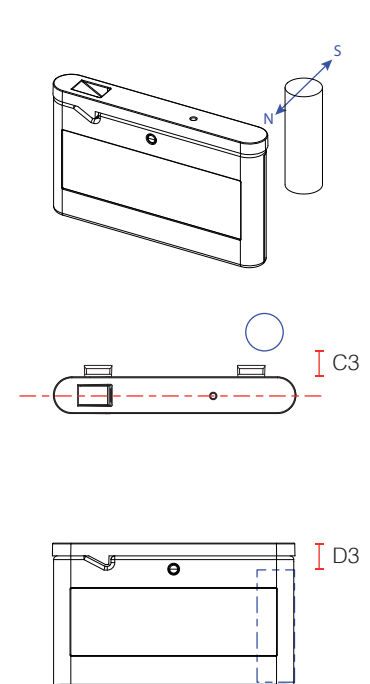
- C1 : max 30mm
- D1 : 0 mm

POSITION D2



- C2 : 0 mm
- D2 : max 30mm

POSITION D3



- C3 : max 30mm
- D3 : 0 mm

3 - USE OF THE SENSOR

3.1 DESCRIPTION OF THE SENSOR

Sensor for automatic control of door movement to send a switch-on command to a compatible receiver.

3.2 USE OF SENSOR

To be able to use the sensor you must first carry out the learning procedures on the receiver (see paragraph 4).

SENSA T - SENDING A COMMAND TO A DEVICE:

When the sensor sees a movement, it sends a command to switch on the light to the receiver it is associated with. Switching off is carried out through a timer in the receiver (see receiver manual).

SENSA M (with magnet present) - SENDING A COMMAND TO A DEVICE:

When the door is opened or a movement is detected, the sensor sends a command to switch on the light to the receiver it is associated with.

Switching off is carried out when the door is closed and/or with a timer in the receiver (see receiver manual).

4 - PROGRAMMING

To be able to use the sensor you must first carry out the learning procedures on the receiver

4.1 PROGRAMMING THE SENSOR WITH THE ASSOCIATION OF THE SERIAL NUMBER

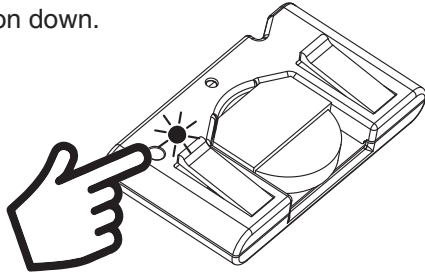
Default: unique factory code, manual association required.

PROCEDURA:

STEP 1

Hold the sensor button down.

Il led si accende e ciclicamente cambia colore.

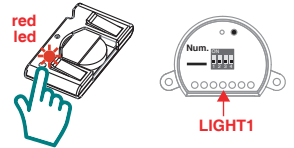


STEP 2:

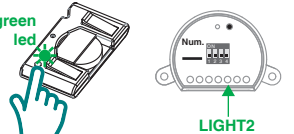
Take your finger off the button when the LED comes on in the colour corresponding to the output with which the sensor is to be associated.

EXAMPLES:

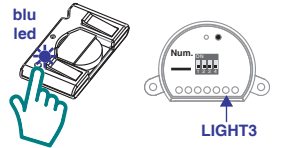
If you take your finger off on red, the sensor will make LIGHT1 turn on.



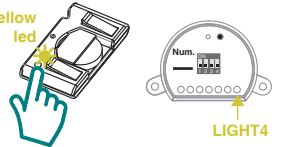
If you take your finger off on green, the sensor will make LIGHT2 turn on.



If you take your finger off on blu, the sensor will make LIGHT3 turn on.



If you take your finger off on yellow, the sensor will make LIGHT4 turn on.



STEP 3:

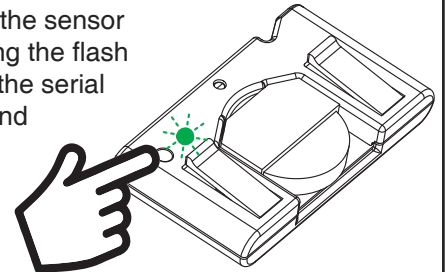
The LED stays on in the colour selected.

Press the button on the sensor for a short time and count the number of flashes emitted by the LED:

FLASH	SERIAL NUMBER
1 flash	1
2 flashes	2
3 flashes	3
4 flashes	4
5 flashes	5
6 flashes	6
7 flashes	7
8 flashes	8
9 flashes	9
10 flashes	10
11 flashes	11
12 flashes	12
13 flashes	13
14 flashes	14
15 flashes	15
16 flashes	16
17 flashes	17
18 flashes	18
19 flashes	19
20 flashes	20
21 flashes	Unique factory code, carry out manual association (see paragraph 4.2)

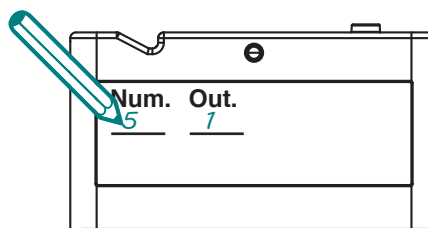
STEP 4

Press the button on the sensor for a short time during the flash that corresponds to the serial number desired to end the count.



NOTE:

Make a note on the label of the "serial number" and the output the sensor was associated with, for any future maintenance work.



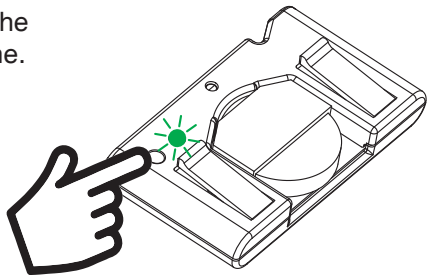
4.2 PROGRAMMING THE SENSOR WITH MANUAL ASSOCIATION

PROCEDURE:

STEP 1

Press the button on the sensor for a short time.

The LED comes on green and stays on.



STEP 2

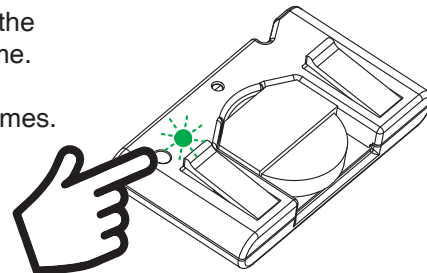
Activate the receiver on which you want to programme the transmitter in "multifunctional remote control radio programming" mode (see receiver manual).



STEP 3

Press the button on the sensor for a short time.

The LED flashes 3 times.



STEP 4

The receiver flashes 3 times to confirm the learning process

5 - RADIO DELETION

5.1 DELETION OF THE SENSOR FROM THE RECEIVER

This procedure is to delete one sensor from the memory of the receiver on which it was programmed.

PROCEDURE:

1- Access the receiver and carry out the "delete single transmitter" procedure (see receiver manual).

6 - SETTING SENSOR SENSITIVITY

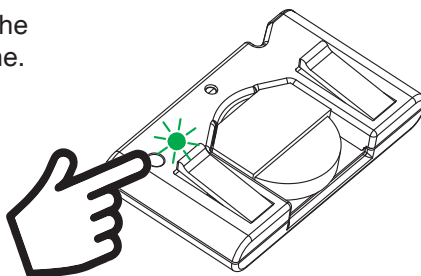
Use this procedure to change the sensor's sensitivity to movement. This is to adapt it to different types of doors and uses.

PROCEDURE:

STEP 1

Press the button on the sensor for a short time.

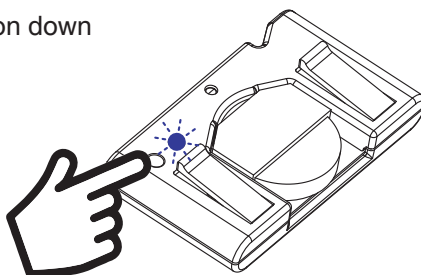
The LED comes on green and stays on.



STEP 2

Hold the sensor button down (about 7 seconds).

The LED flashes blue.

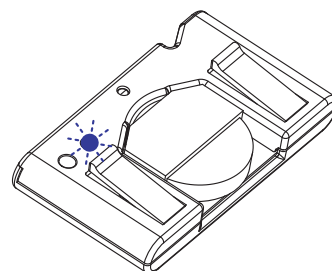


STEP 3

Count the number of flashes emitted by the LED:

3 flashes= high sensitivity
6 flashes= low sensitivity

NUMBER OF FLASHES	TYPE OF SENSITIVITY
3	high
6	low



STEP 4

To change the setting, repeat the procedure from point 1; the control unit will alternate between 3 and 6 flashes.



MNLSAENV1.2

Nexta Tech

company brand of Team srl
via G.Oberdan 90, 33074
Fontanafredda (PN) - Italy
Ph. +39 0434 998682
Email: info@nexta-tech.com
Web: www.nexta-tech.com