

ROUND-1SP

NEXTA
T E C H



Wireless motion sensor, rolling code 433.92 MHz, recessed with built-in light sensor. CR2450 battery.

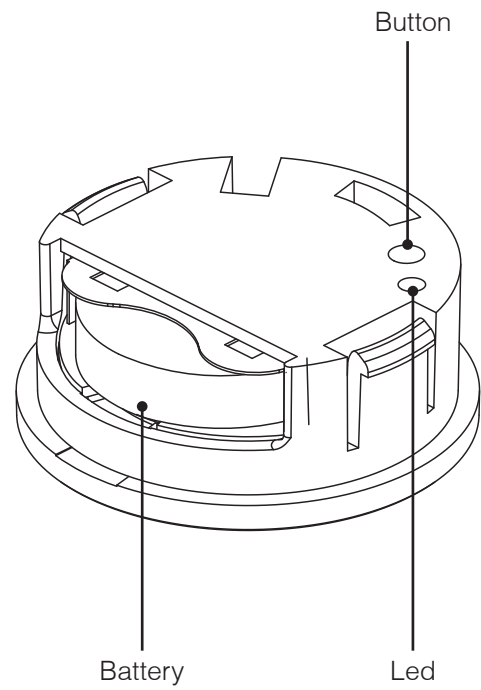
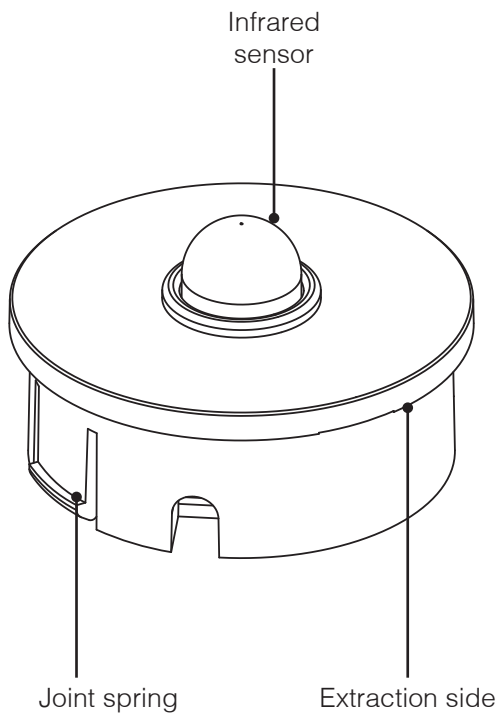
INDEX

- 1 - PRODUCT FEATURES
 - 1.1 - TECHNICAL DATA
 - 1.2 - BATTERY CHANGE
- 2 - PREPARATION
 - 2.1 - SENSOR DIMENSIONS AND WORK
 - 2.2 - POSITION OF REED CONTACT FOR MAGNET
 - 2.3 - MAGNET INSTALLATION
- 3 - USE OF THE SENSOR
- 4 - RADIO PROGRAMMING
- 5 - SENSOR SETTING

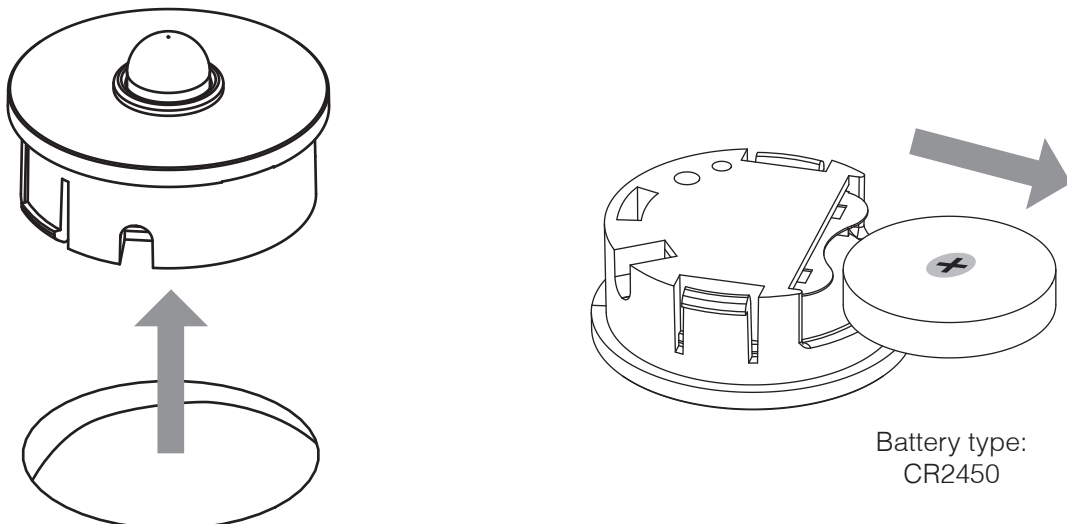
1 - PRODUCT FEATURES

1.1 TECHNICAL DATA

Power supply	Battery CR 2450
Battery life	About 2 years
Code	Rolling code
Radio frequency	433,92 MHz ISM
Range	10m

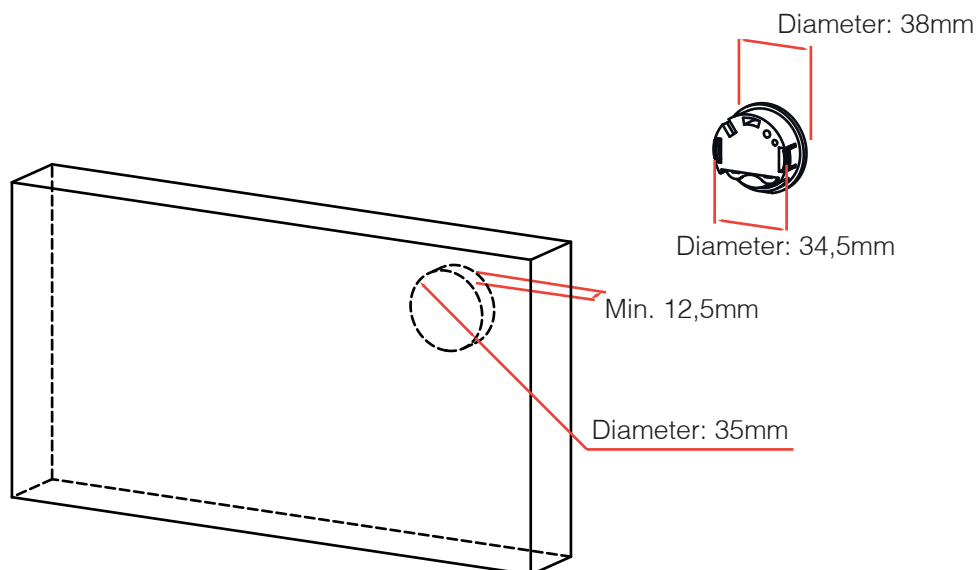


1.2 BATTERY CHANGE



2 - PREPARATION

2.1 CUTTING



3 - USE OF THE SENSOR

There is two selectable functioning mode:

AUTOMATIC: when the sensor is turn on, the light turn on automatically while it detects a movement and turn the light off after a pre-set time.

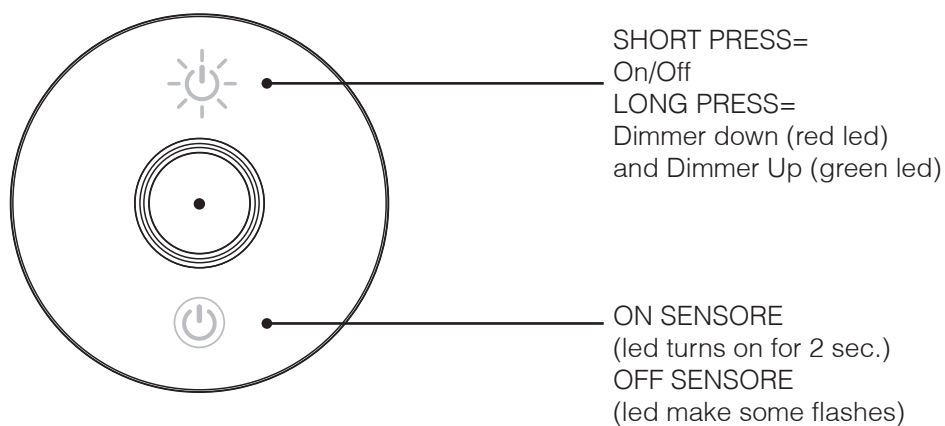
It's possible to set a brightness threshold to avoid the turn on of the light if the environmental light is enough. The de-tection area, the timed on and the ebrightness threshold can be set with the procedure explained in paragraph 5.

MANUAL:

if the sensor is off, the central button can be used to send a command:

SHORT PRESS= On/Off

LONG PRESS= Dimmer Down and Dimmer Up



4 - SENSOR PROGRAMMING

This procedure is used to programme a channel in order to then associate it with a compatible receiver. Access to the receiver is required to carry out the following procedure.

STEP1

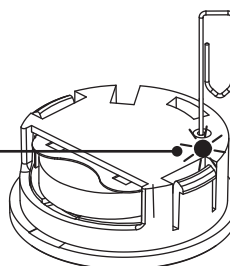
Activate the receiver on which you want to use the transmitter in "multifunctional remote control radio programming" (see receiver manual).



STEP2

With the help of a paper clip make a short press on the button in the back of the sensor (the led of the sensor turn on green)

LED TURNS ON
GREEN



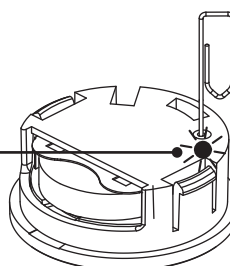
SHORT
PRESS



STEP2

With the help of a paper clip make a short press on the button in the back of the sensor (the led of the sensor flashes 3 times)

LED FLASHES
3 TIMES



SHORT
PRESS

5 - SENSOR SETTING

The sensor is supplied with pre-set parameters:

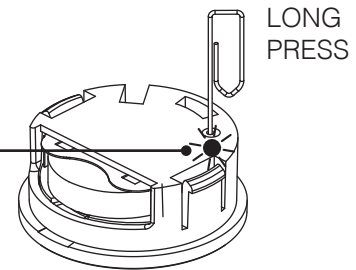
DETECTION AREA= max ; BRIGHTNESS THRESHOLD= off ; TIMED ON= 5 minutes.

These parameters can be modify with following procedure:

STEP1

With the help of a paper clip press and hold the button on the back of the sensor:
the led turns on and cyclically changes color

LED CHANGE
COLOR
CYCLICALLY



STEP2

Release the button when the led is on the color corresponding to the function that you want to modify:

RED=
DETECTION AREA

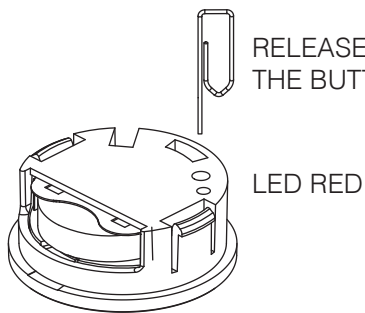
GREEN=
LIGHT SENSOR

YELLOW=
TIMED OFF

STEP3a

Release the button when the led is red to set the detection area of the sensor

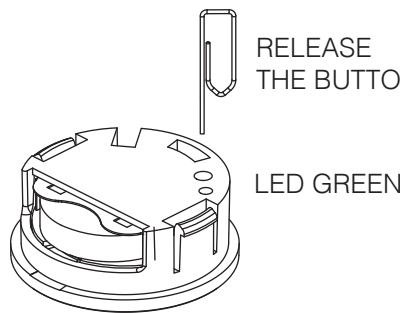
RELEASE
THE BUTTON



STEP3b

Release the button when the led is green to set the brightness threshold of the sensor

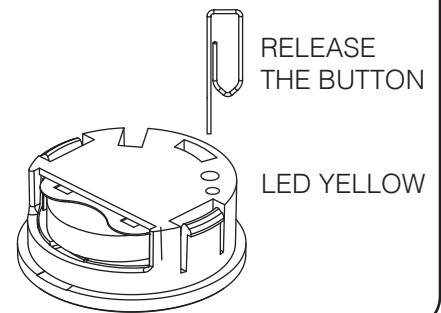
RELEASE
THE BUTTON



STEP3c

Release the button when the led is yellow to set the timed on off the light

RELEASE
THE BUTTON



STEP5a

Make a short press on the button on the back of the sensor during the flash that correspond to the desired function
(default= n°1)

N°	Function
1	Max detection area
2	Level 2
3	Level 3
4	Level 4
5	Min detection area

STEP5b

Make a short press on the button on the back of the sensor during the flash that correspond to the desired function
(default= n°1)

N°	Function
1	No threshold (the sensor always turns on the light)
2	Level 2
3	Level 3
4	Level 4
5	Level 5
6	Level 6
7	Level 7
8	High level (the light turns on only when in deep darkness)

STEP5c

Make a short press on the button on the back of the sensor during the flash that correspond to the desired function
(default= n°3)

N°	Function
1	5 seconds
2	1 minute
3	5 minutes
4	20 minutes
5	30 minutes
6	1 hour
7	2 hours
8	4 hours



MNLROUND-1SPENV1.0

Nexta Tech

company brand of Team srl
via G.Oberdan 90, 33074
Fontanafredda (PN) - Italy
Ph. +39 0434 998682
Email: info@nexta-tech.com
Web: www.nexta-tech.com