

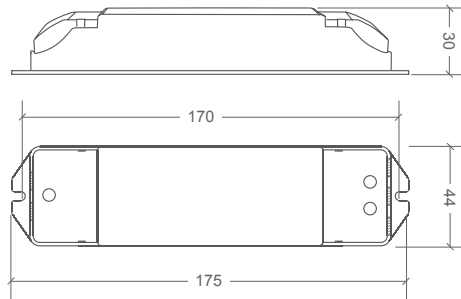
**4 × 5A DALI DIMMER**



CODE BL-PC-LT4045A

INPUT VOLTS	12-24V DC
LOAD CURRENT	4 × 5A channels (20A)
MAX OUTPUT POWER	12V DC - 240W 24V DC - 480W
DIMENSIONS	W44 × L175 × H30mm
HOUSING	PVC casing
MOUNTING	2 × mounting tabs
CONNECTION METHOD	Concealed screw terminals
OPERATING TEMP.	-30°C ~ +55°C
CONTROL	2-core DALI bus signal
INGRESS PROTECTION	Indoor use only
WARRANTY	5 years
COMPLIANCE	

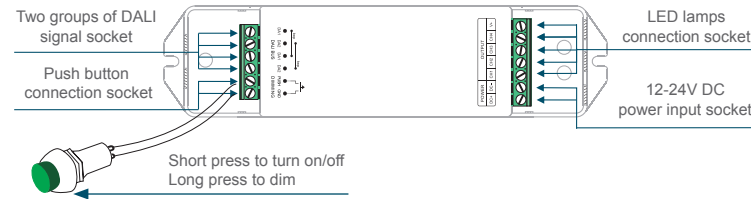
**DIMENSIONS**



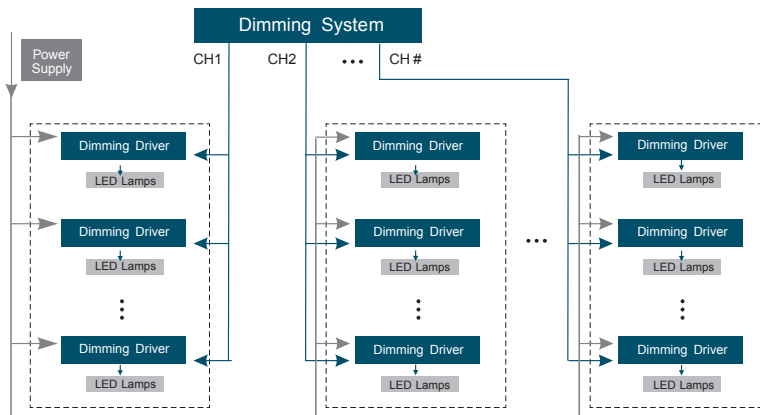
**FUNCTION**

- 4-channel PWM output, 0–100% dimming for DALI bus systems
- DALI standard: IEC 62386

**CONNECTIONS**



**SYSTEM CONNECTION DIAGRAM**



**WIRING DIAGRAM**

