

4 × 5A REPEATER | BL-PC-LT30405A

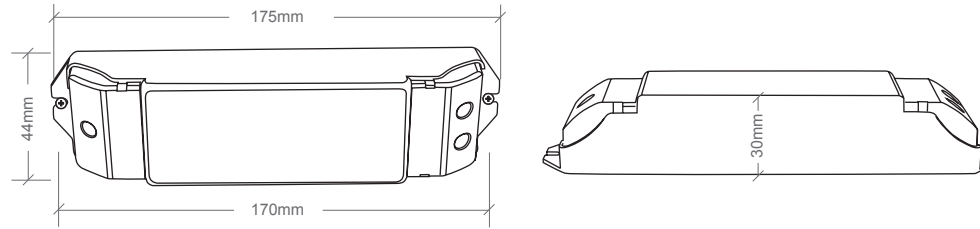


CODE

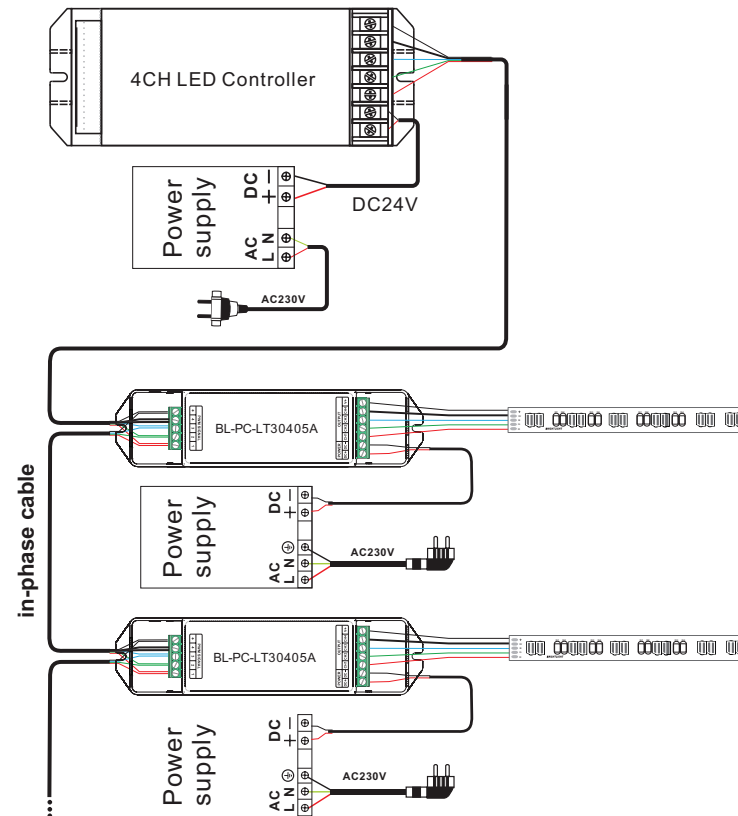
BL-PC-LT30405A

OUTPUT CURRENT	MAX. LOADING	VOLTS
	100W	5V DC
4 × 5A channels (20A)	240W	12V DC
	480W	24V DC
OPERATING TEMP.	-30°C ~ +55°C	
INGRESS PROTECTION	Indoor use only	
CONNECTION METHOD	Concealed screw terminals	
CONTROL	Requires controller with PWM output	
MAX. DISTANCE FROM POWER SUPPLY	Recommended under 10 metres <i>For specific projects contact Bright Light</i>	
DIMENSIONS	W44 × L175 × H30mm	
HOUSING	PVC casing	
MOUNTING	2 × mounting tabs	
WARRANTY	5 years	
COMPLIANCE		

DIMENSIONS



WIRING DIAGRAM



FUNCTION

- Used to expand the output of single colour, Tuneable white, RGB, or RGBW ribbon strip controllers

ATTENTION:

- The product shall be installed and serviced by a professional electrician.
- This product is not waterproof & cannot be installed outdoors, use IP65 box if required for outside use.
- Good heat dissipation on will prolong the working life of the repeater, please ensure good ventilation.
- Please check the output voltage of any power supply used complies with the working voltage of the LED product used.
- Ensure an adequate sized cable is used from the controller to the LED lights to carry the current, please also ensure the cable is secured tightly in the connector.
- Ensure all wire connections and polarities are correct before applying power to avoid any damages to the LED lights.
- If a fault occurs please return product to your supplier. Do not attempt to fix this product yourself.