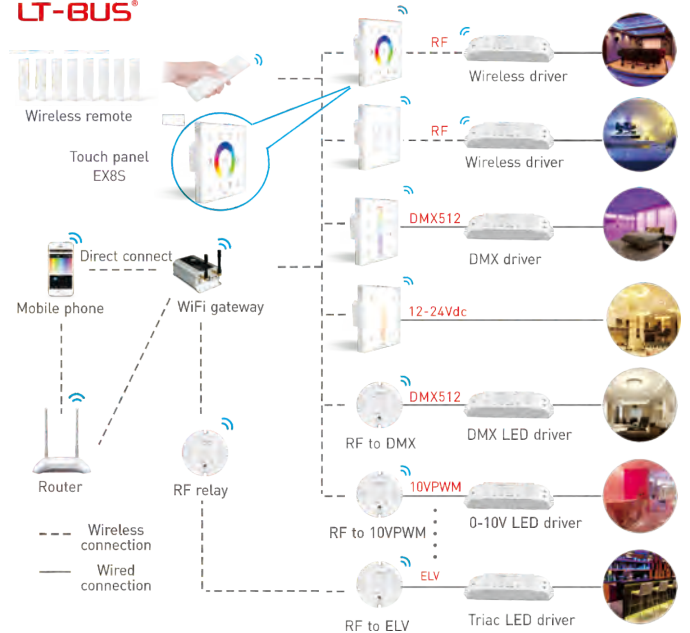


EX8S Touch Panel (RGBW)



Manual
www.ltech-led.com

LT-BUS®



Product Features

LTECH

- Adopt wireless RF and wired DMX512 protocol 2 in 1 control mode, more flexible and convenient for project installation.
- Advanced RF wireless sync/zone control technology, be able to realize dimming, synchronous dynamic changing color effect between receivers.
- Within effective range, any quantity of receivers can be connected in the same zone, dynamic and static effects keep synchronization between different groups.
- Four zones can be combined arbitrarily, for example: zone 1 and zone 2 as a group, or zone 1, zone 3, zone 4 as a group, or all the 4 zones as a group.
- Install touch panel at different areas, can control the same LED light, achieve multi-panel control, no quantity limited.
- Touch keys with chord and LED indicator.
- Save any scene you like, touch 1 key to recall scene, easy and convenient.
- Adopts capacitive touch control technology on the full color wheel, make LED color selection more user-friendly.

Technical Specs

EX8S RGBW Touch Panel (4 zones)

Input Voltage:	100~240Vac	Dimensions:	L86×W86×H36(mm)
Output Signal:	RF 2.4GHz, DMX512	Package Size:	L113×W112×H50(mm)
Working Temp.:	-30°C~55°C	Weight(G.W.):	225g



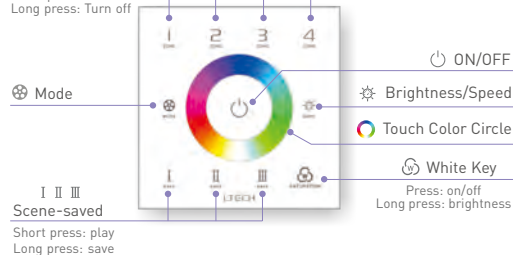
RCM certificate No.: RCMP17114 001

Key Functions

LTECH

1 2 3 4 Zone Keys

Short press: Turn on
Long press: Turn off



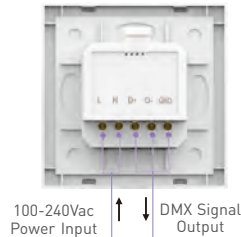
* When indicator light is on, long press to turn on/off buzzer.
When indicator light is off, long press to match code.

Mode

1. Static Red
2. Static Green
3. Static Blue
4. Static Yellow
5. Static Purple
6. Static Cyan
7. Static White
8. RGB Jumping
9. 7 Colors Jumping
10. RGB Color Smooth
11. Full-color Smooth
12. Static Black (only close RGB)

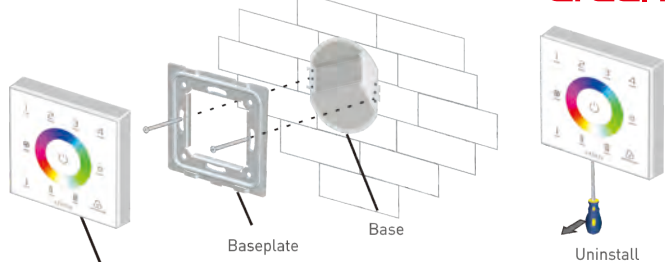
* RGB off and only white light is on:
press key to select static black mode, then press key to turn on the white light.

Terminals:

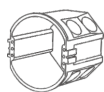


Installation Instruction

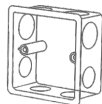
LTECH



Typical base as below:



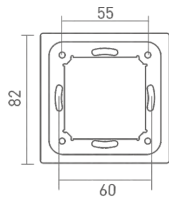
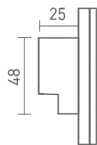
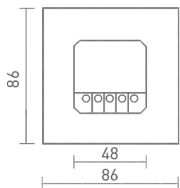
European style



86 size

Product Size

Unit: mm



Application Composition

LTECH

DMX512 control

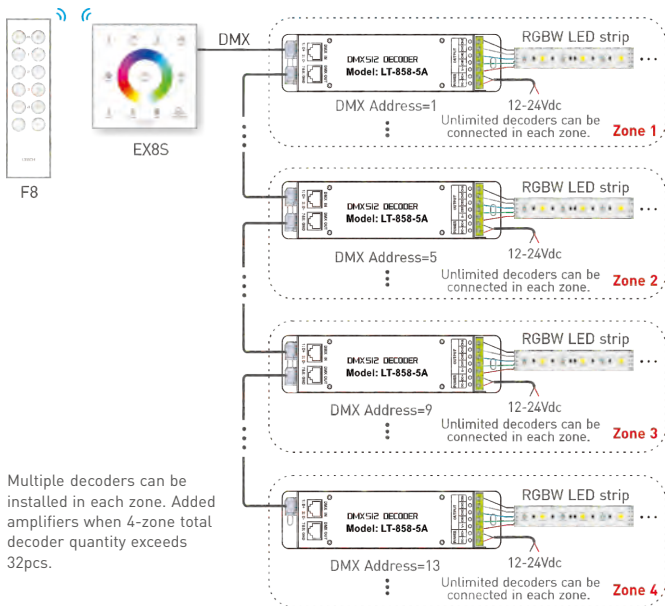


Wireless control



DMX Wiring

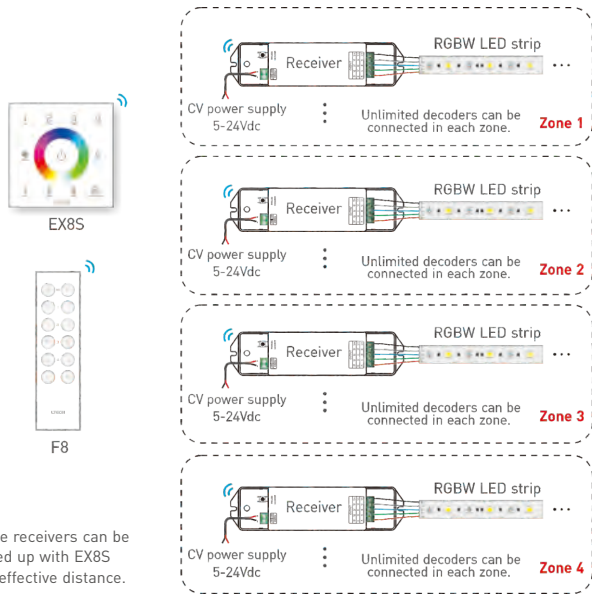
LTECH



Multiple decoders can be installed in each zone. Added amplifiers when 4-zone total decoder quantity exceeds 32pcs.

RF Wireless Wiring

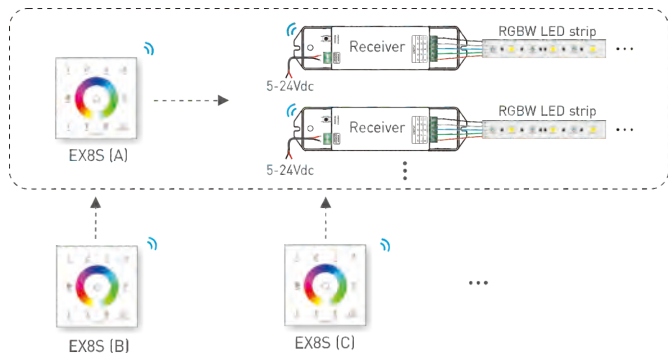
LTECH



Multiple receivers can be matched up with EX8S within effective distance.

Multi-panel Control Wiring


LTECH



- * After touch panel A realizes controlling the lamps, if B and C are matched up with A, they can also control the lamps.
- * Connecting touch panel with DMX decoders can also realize multi-control function.

Match code between touch panel & gateway

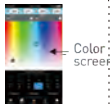
1.

Long press  on touch panel until all indicator lights flicker.



2.

Click the corresponding RGBW zone on mobile phone, then touch the color screen, match successfully.



* Please match/clear code when  indicator light of panel is off.

Match code between Touch Panel & Receiver

LTECH

Match code:

Method 1 : When touch panel is on (indicator light is off) and wiring between receiver and lamps are correct.

1.



Power on and power off receiver for 3 times, the lamps flicker, please complete step 2 within 10s.

2.



Touch the matching zone key on touch panel, the lamps stop flicking, match successfully.

Method 2 : When touch panel is on (indicator light is off) and wiring between receiver and lamps are correct.

1.



Short press "ID learning button" on receiver. the lamps flicker, please complete step 2 within 10s.

2.



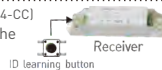
Touch the matching zone key on touch panel, the lamps stop flicking, match successfully.

Clear code:

Method 1: Power on and off receiver (F4-3A/5A, F4-CC) continuously for 10 times, if buzzer long beep and lamps flicker 5 times, deactivate the matching successfully.



Method 2: Long press "ID learning button" on receiver (F4-3A/5A, F4-CC) for 6 seconds, if the lamps flicker 5 times, deactivate the matching successfully.



Match Code between Touch Panels LTECH

Match code:



Assuming that B match up with A, long press on B until all indicator light flicker.



Touch the matching zone key on A in 5s, if indicator light of B stop flicking, match successfully.

Clear code:



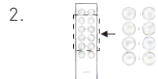
Press I on B simultaneously for 5s, the indicator light flicker several times, clear code successfully.

Match Code between Touch Panel & Remote

Touch panel match up with remote:



Long press on touch panel until all indicator light flicker.



Press any zone key on remote, indicator light of touch panel stop flicking, match successfully.

Clear code:

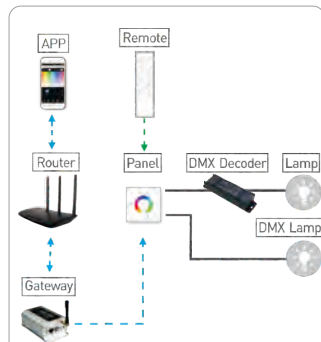


Press I on touch panel simultaneously for 5s, the indicator light flicker several times, clear code successfully.

* Please match/clear code when indicator light of panel is off.

Match Code Sequence LTECH

DMX System Wiring

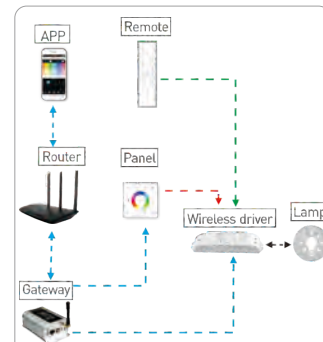


* PS: No router needed when gateway work with phones directly.

Match Code Sequence

1. Configure gateway with panel, which enables the smart phone to control DMX device via gateway.
2. Configure remote with panel, which enables remote to control DMX device.

Wireless System Wiring



* PS: No router needed when gateway work with phones directly.

Match Code Sequence

1. Wireless driver & gateway.
2. Panel & gateway.
3. Remote & panel, remote & wireless driver.