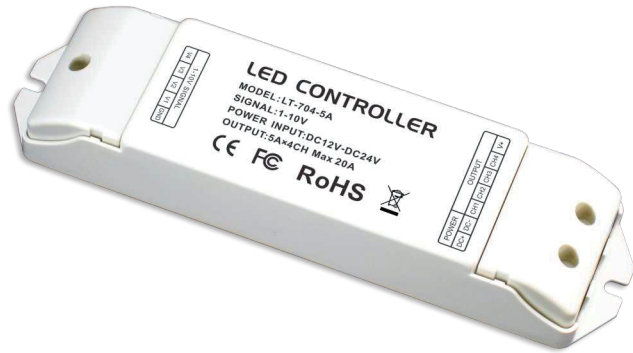


**BL-PC-DIM-2003**  
Analogue Dimmer 0/1-10V 4 Channel



0/1-10V x 4 channel PWM dimming driver means that LED lamps can be controlled by many traditional intelligent dimming systems such as Lutron, Dynalite, Tridonic, Schneider, Clipsal, Osram, Philips, ABB, etc.

CV dimming driver is compatible with the active/passive 0-10V, 1-10V, 10V PWM and Resistor insert dimming, 4 x PWM output channels each with a max load of 5Amps/60Watts @ 12V DC & 120Watts @ 24V DC.

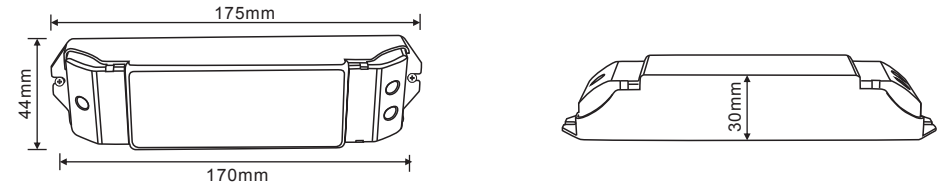
0-100% PWM dimming, output with the dimming curve that is more palatable to human vision, provides the user with a more comfortable and natural lighting experience.

**1. Product Parameter:**

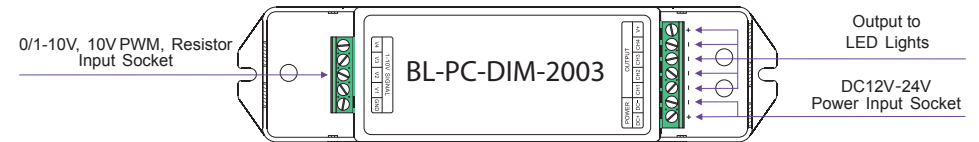
**BL-PC-DIM-2003**

- |   |                                |
|---|--------------------------------|
| • Signal Input 0-10V, 1-10V, 10V PWM and Resistor | • Working Temp.: -30°C~55°C    |
| • Input Voltage: DC12V~DC24V                      | • Dimensions: L175xW44xH30mm   |
| • Max Current Load: 5A*4CH Max 20A                | • Package Size: L178xW48xH33mm |
| • Max Output Power: 240W/480W( 12V/24V)           | • Weight(G.W.): 130g           |
| • Dimming Range: 0~100%                           |                                |

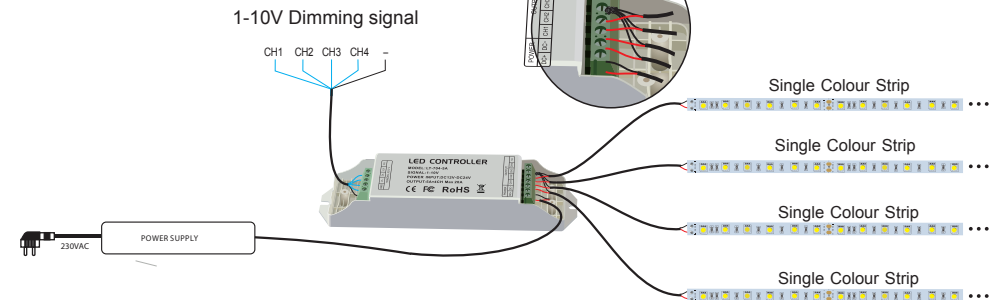
**2. Product Size:**



**3. Wiring Diagram:**



**1) Connect With Single Colour Strip**



**2) Connect With RGBW Strip:**

