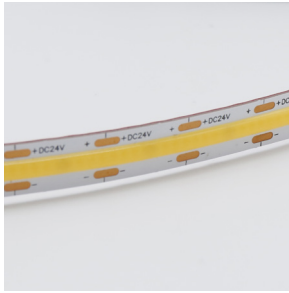


## COB RIBBON QUICK CONNECTORS | IP20



CONNECTORS DESIGNED FOR COB RIBBON



BL-LS-COB-MC



BL-LS-COB-PF

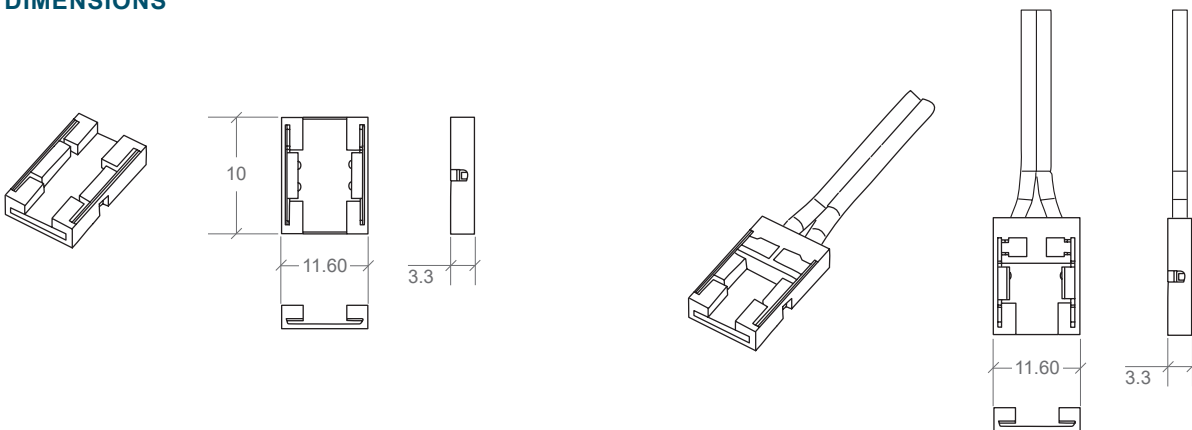


BL-LS-COB-FC

CODE	DESCRIPTION	CABLE LENGTH	USAGE
BL-LS-COB-MC	COB INLINE QUICK CONNECTOR	-	Ribbon strip to ribbon strip
BL-LS-COB-PF	COB POWER FEED QUICK CONNECTOR	490mm	Power connector
BL-LS-COB-FC	COB FLEXIBLE QUICK CONNECTOR 80MM	80mm	Corner connection

RATED CURRENT	5.5A	CONTACT PITCH	7.5 mm	MATERIAL	Polycarbonate
INPUT VOLTS	0-36V DC constant voltage	CONTACT SURFACE	Copper	MATERIAL COLOR	Transparent
OPERATING TEMP.	-10°C ~ +45°C	WARRANTY	3 years	RIBBON TYPE	COB single colour only
				RIBBON WIDTH	10mm
				INGRESS PROTECTION	IP20 General interior use

## DIMENSIONS



BL-LS-COB-MC

BL-LS-COB-PF / BL-LS-COB-FC