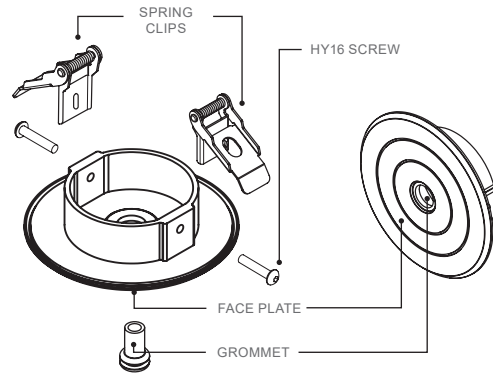
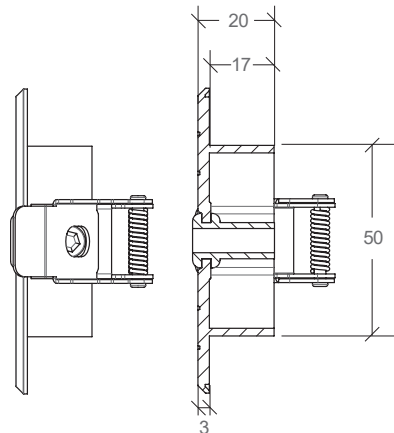
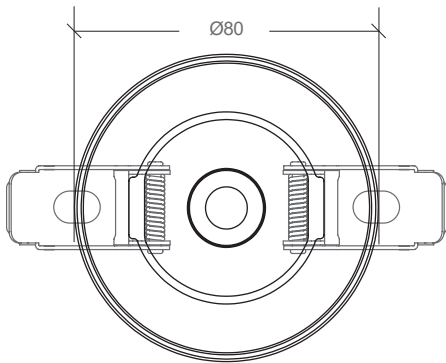
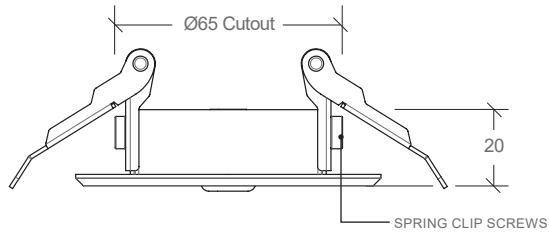


CABLE BASE | RECESSED MOUNT | BL-LS-S105X



DIMENSIONS



SCREWS FOR SPRING CLIPS
REQUIRE LARGER CUT OUT.
Ø65MM RECOMMEND.

RECESSED MOUNT INSTALLATION

1. Select appropriate ceiling location for cable base - should be above luminaire and where the power feed cable can connect to the LED driver.
2. Drill Ø65mm hole in ceiling for face plate.
3. Connect spring clips to face plate sides using 2 x HY16 screws provided.
4. Ensure grommet is fitted into the face plate and then thread the power feed cable through centre and into ceiling.
5. While holding the spring clips in vertical (up) position, insert the face plate into the ceiling hole. The spring clips will snap back to the horizontal position as soon as they are released and will secure the cable base in place.

