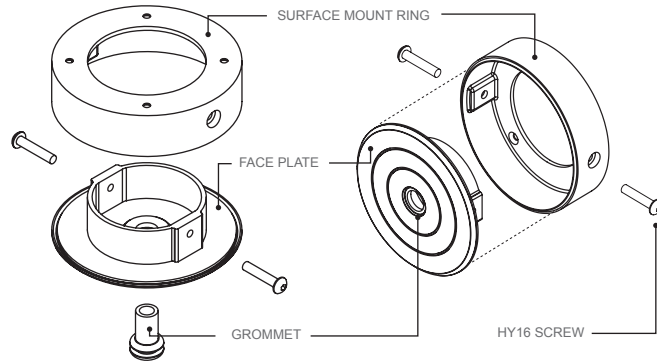
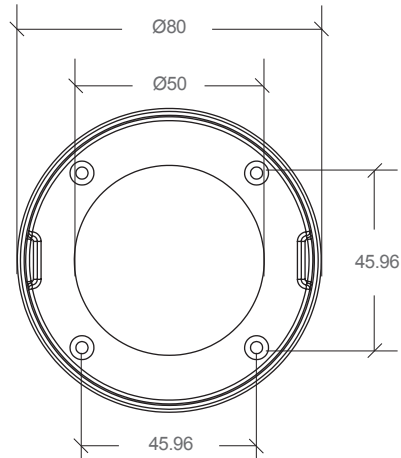
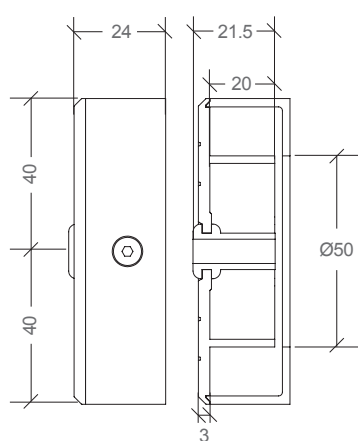
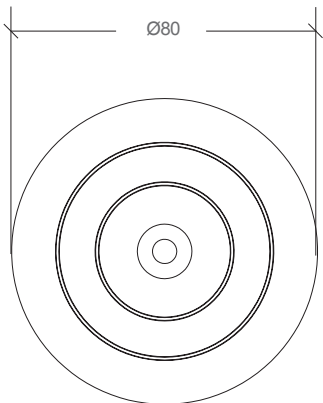
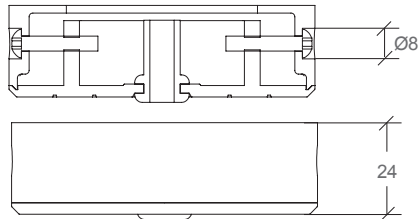


CABLE BASE | SURFACE MOUNT | BL-LS-S104X



DIMENSIONS



SURFACE MOUNT INSTALLATION

1. Select appropriate ceiling location for cable base - should be above luminaire and where the power feed cable can connect to the LED driver.
2. Drill hole in ceiling for power feed cable.
3. Position and screw the surface mount ring onto ceiling using the top four mounting holes, ensuring the drilled ceiling hole is aligned centrally.
4. Ensure grommet is fitted into the face plate and then thread the power feed cable through centre.
5. Thread the power feed cable through the ceiling hole.
6. Fit the face plate into the surface mount ring. Rotate face plate until the side screw holes align, then secure with 2 x HY16 screws provided.

