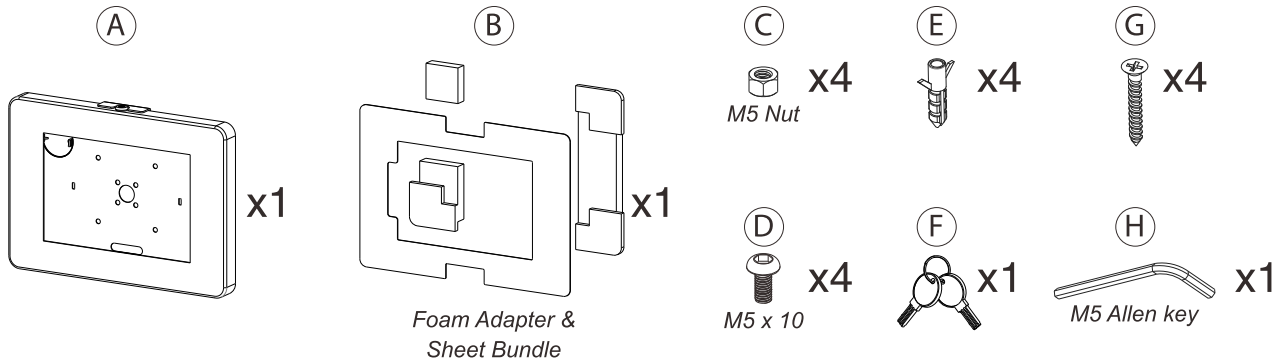




# Premium Small Locking Wall Mount (Black/White)

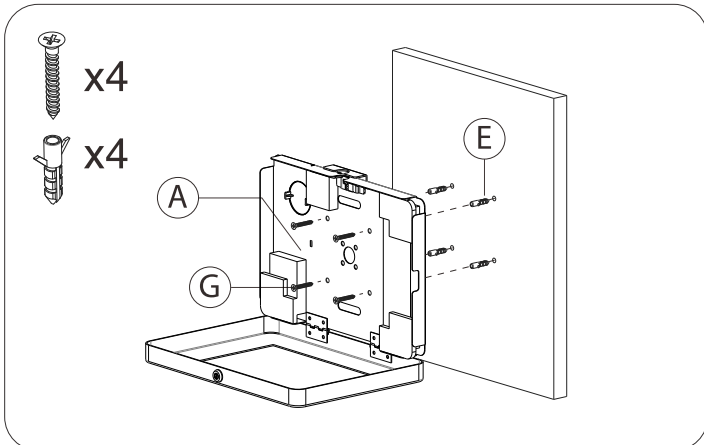
PAD-PSWB / PAD-PSWW  
INSTRUCTION - MANUAL

## CONTENTS:



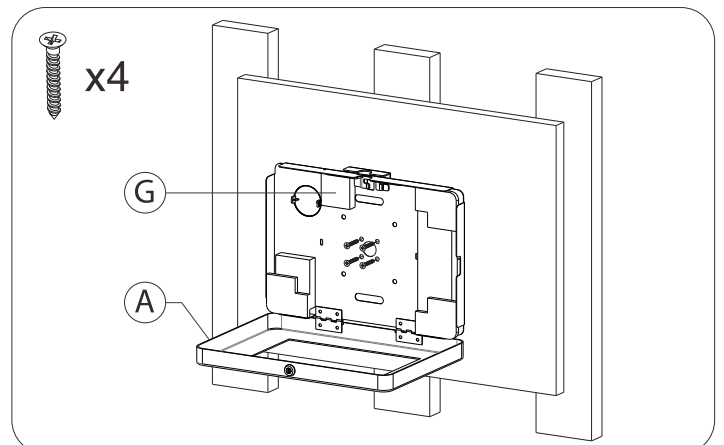
## INSTALLATION:

### 1. When Mounting to Wall using Anchors



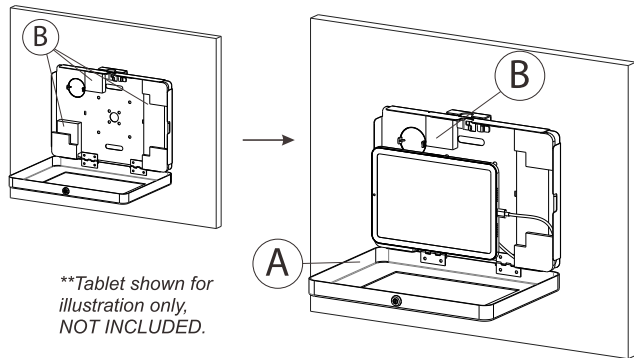
1A. Insert the (4) wall plugs (E) to the wall drilled holes. Then, align outermost VESA holes to the drilled holes and screw in the (4) screws (G) until securely tightened.

### 2. When Mounting to Wall not using Anchors



2A. Align innermost VESA holes to the drilled holes and screw in the (4) screws (G) until securely tightened.

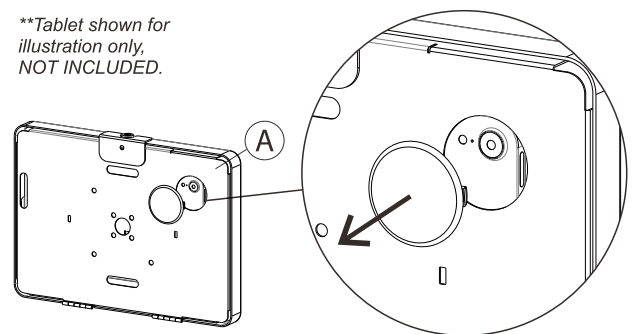
### 3. Placing Tablet into Enclosure



3A. Find the appropriate size foam padding (B) for the tablet you wish to use. Make sure device is compatible for the enclosure. If having power/data cord attached to tablet, slide it through the back of the foam as shown and out the opening in the back.

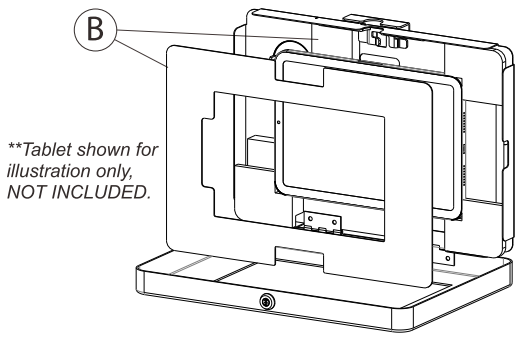
### 4. Removing Back Covers

\*\*Tablet shown for illustration only, NOT INCLUDED.

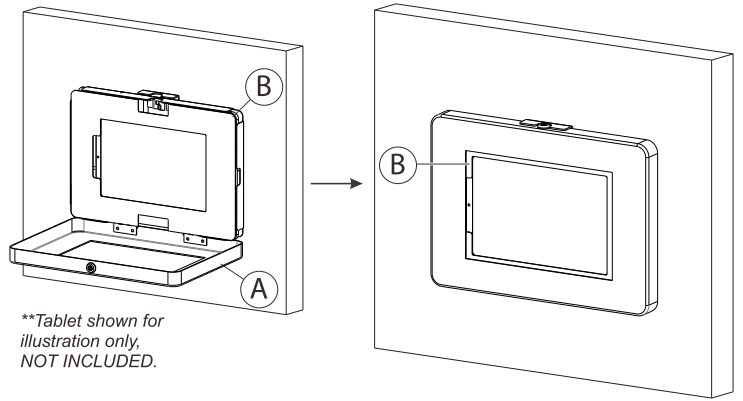


4A. When installing device into the enclosure, identify where the camera is. Then simply remove and pop out the cover prior to mounting or setting up tablet to properly expose camera.

## 5. Optional - Placing Blank Sheet Insert into Enclosure

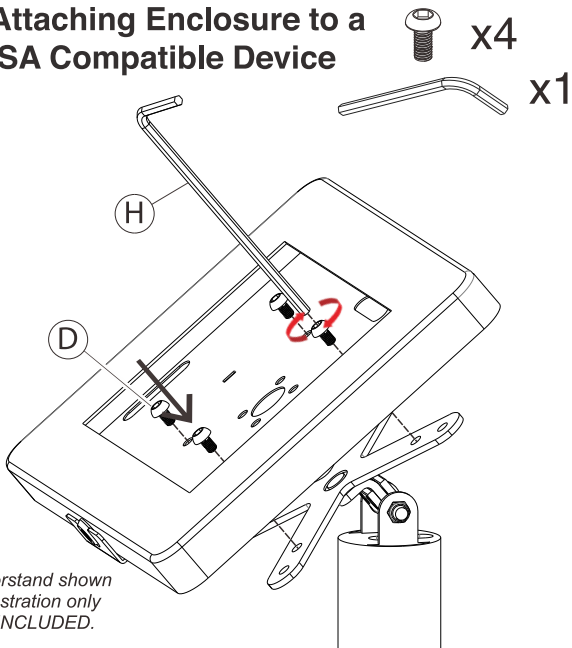


5A. Lay-in correct masking insert from bundle (B) as needed the correct fitted look for your device.



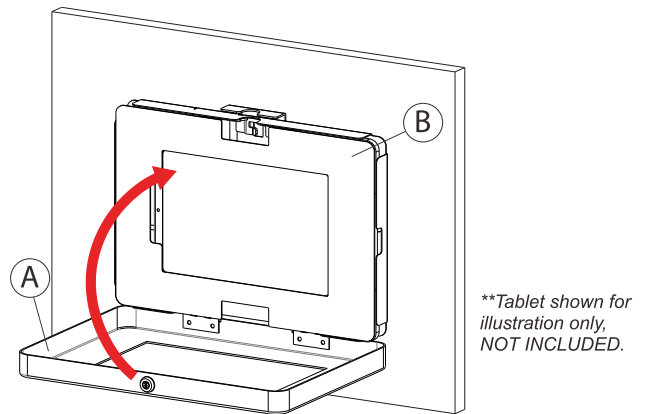
5B. Close and lock enclosure afterwards and you're set

## 6. Attaching Enclosure to a VESA Compatible Device

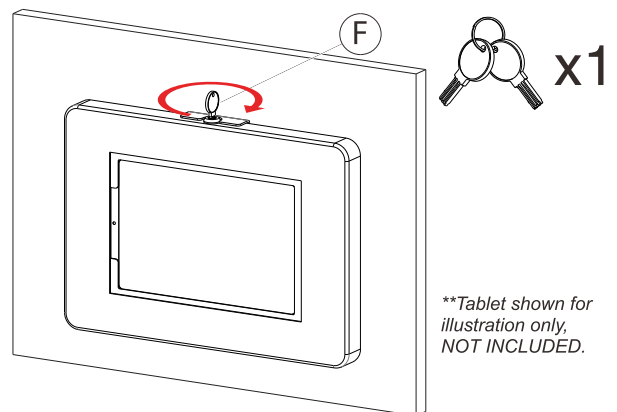


6A. Align enclosure holes to VESA plate holes. Screw in the screws (D) above using provide allen key (H).

## 7. Setting up Security



7A. Once the tablet device is set up, close the front lid of the enclosure.



7B. Insert the key (F) in the keyhole on top of the enclosure, and turn clockwise to lock the enclosure in place.