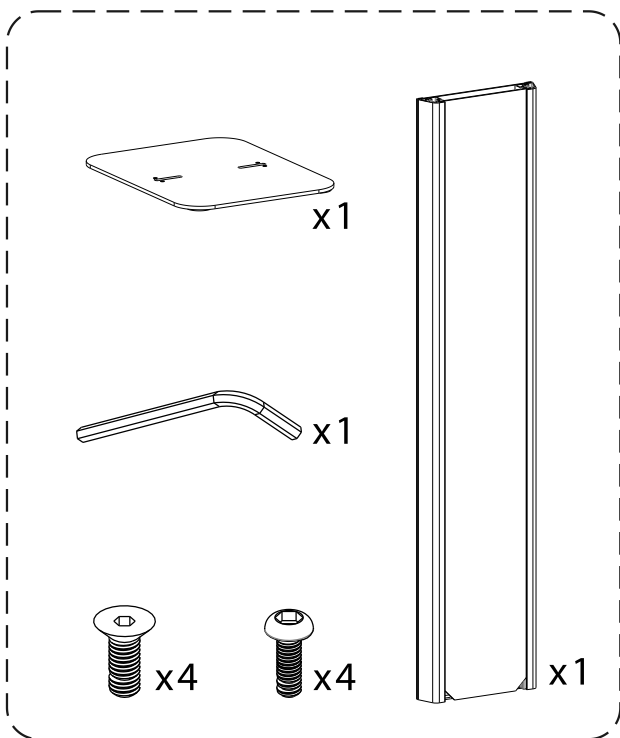




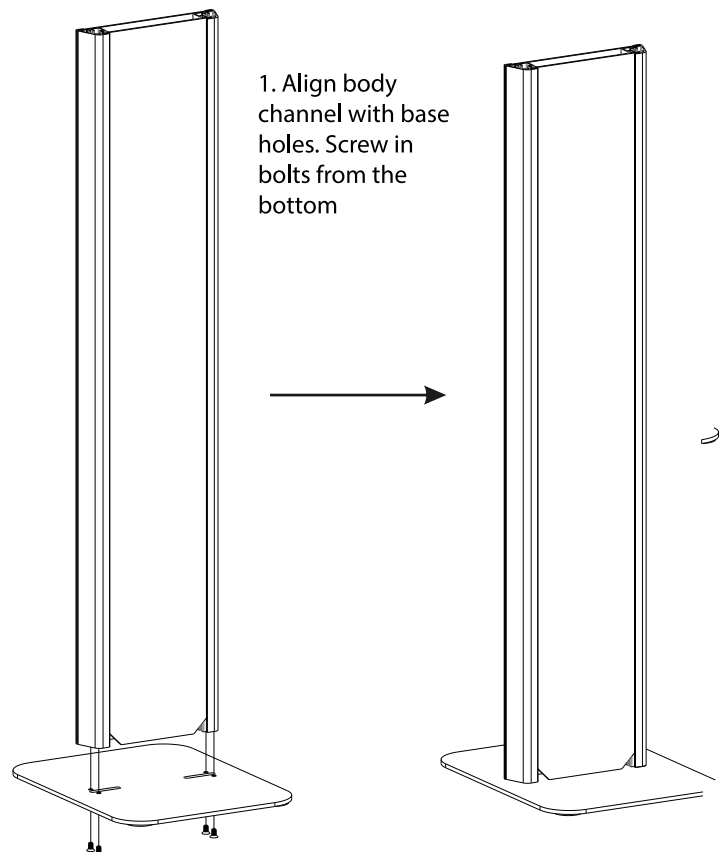
Premium Locking Floor Stand Kiosk with Graphic Slot (Black/White)

INSTRUCTION MANUAL

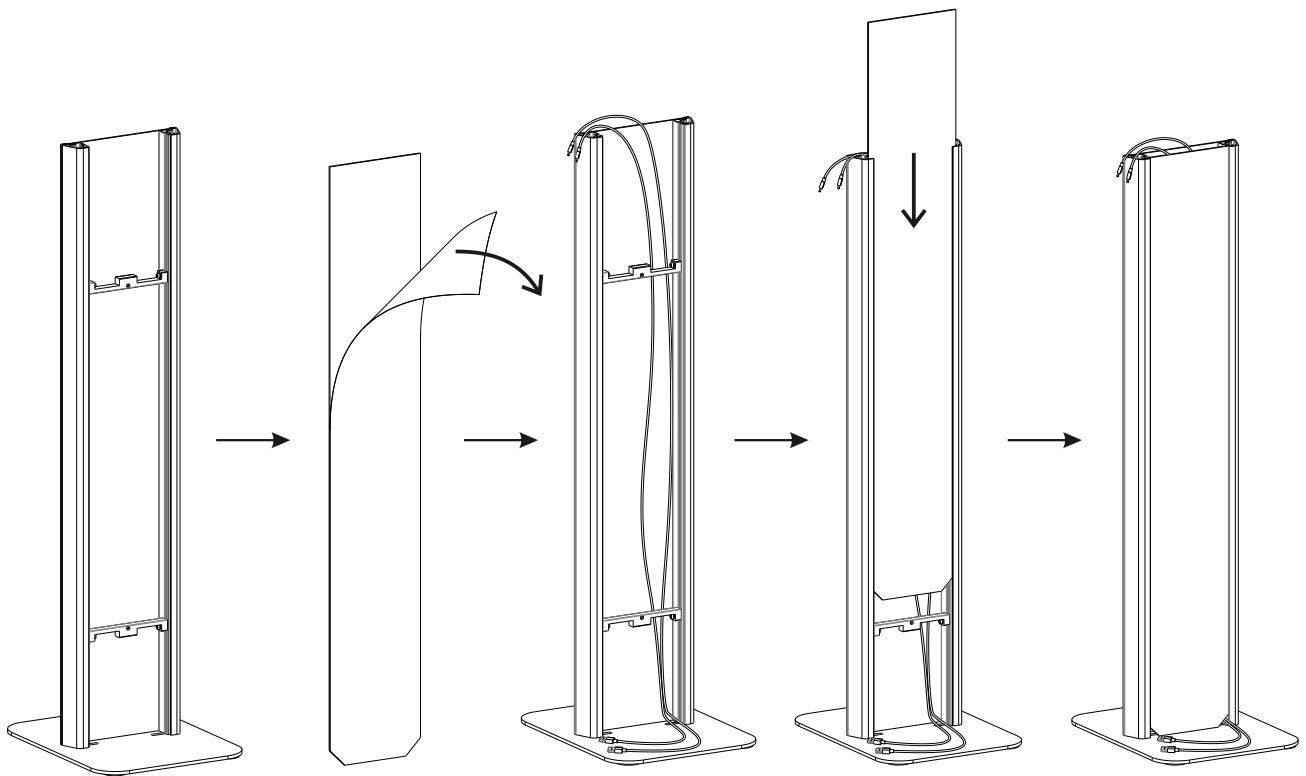
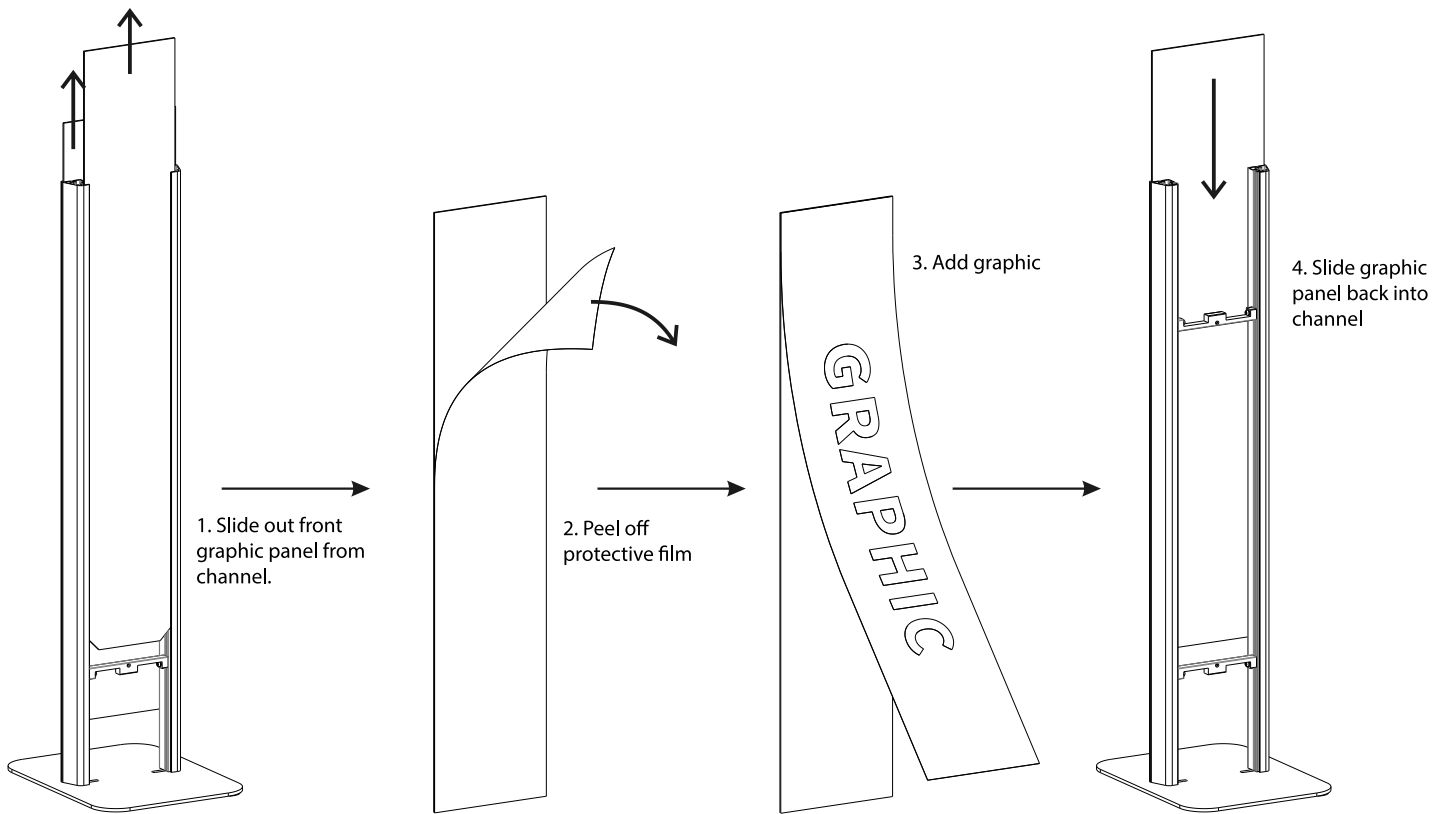
ADD-PARAFS2/ADD-PARAFS2W



Installing body with base



Setting up graphic panel and cable management

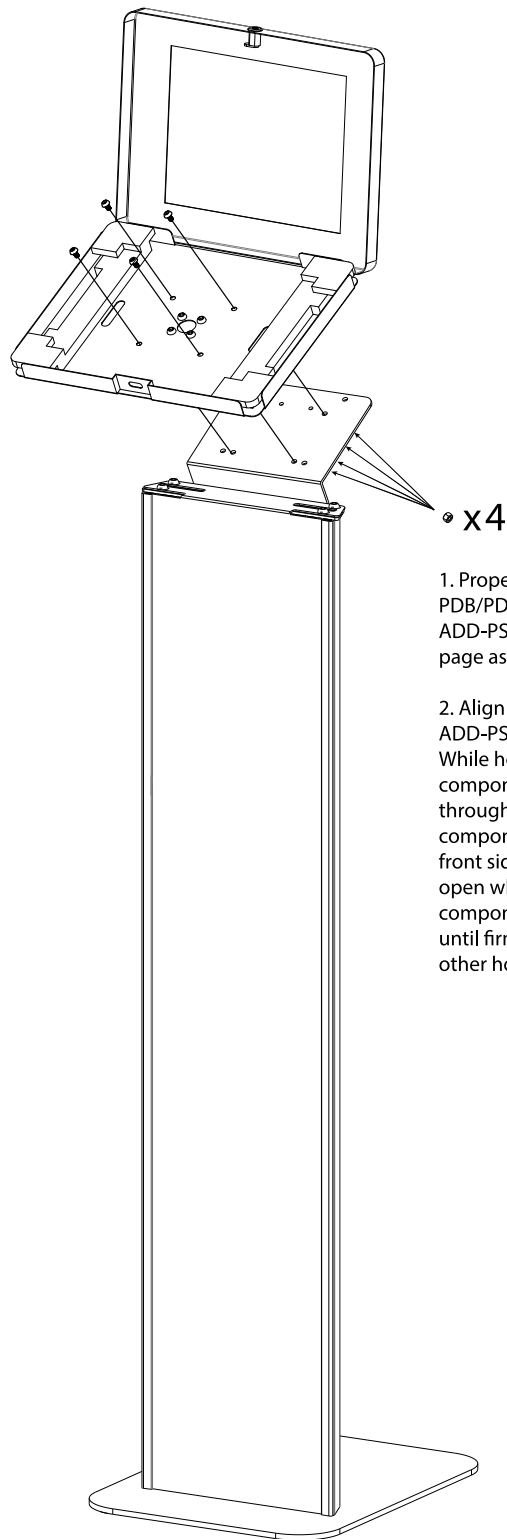


5. Slide out back graphic slot from channel, peel off film

6. While back panel is out, slide in device cord for cable management

7. Once cable management is set up, slide graphic slot back into place.

Installing PAD-PARAW/PARAWW enclosure onto ADD-PARAFS2/FS2W



1. Properly attach ADD-PSB/PSW/
PDB/PDW first. Refer to
ADD-PSB/PSW/PDB/PDW installation
page as needed.

2. Align holes of tablet enclosure with
ADD-PSB/PSW/PDB/PDW component.
While holding back hexagonal nut
component with wrench, align screw
through the hole to the hexagonal
component. Screw in bolt from the
front side through while enclosure is
open while holding hexagonal
component with wrench on backside
until firmly tightened. Repeat for all
other holes.

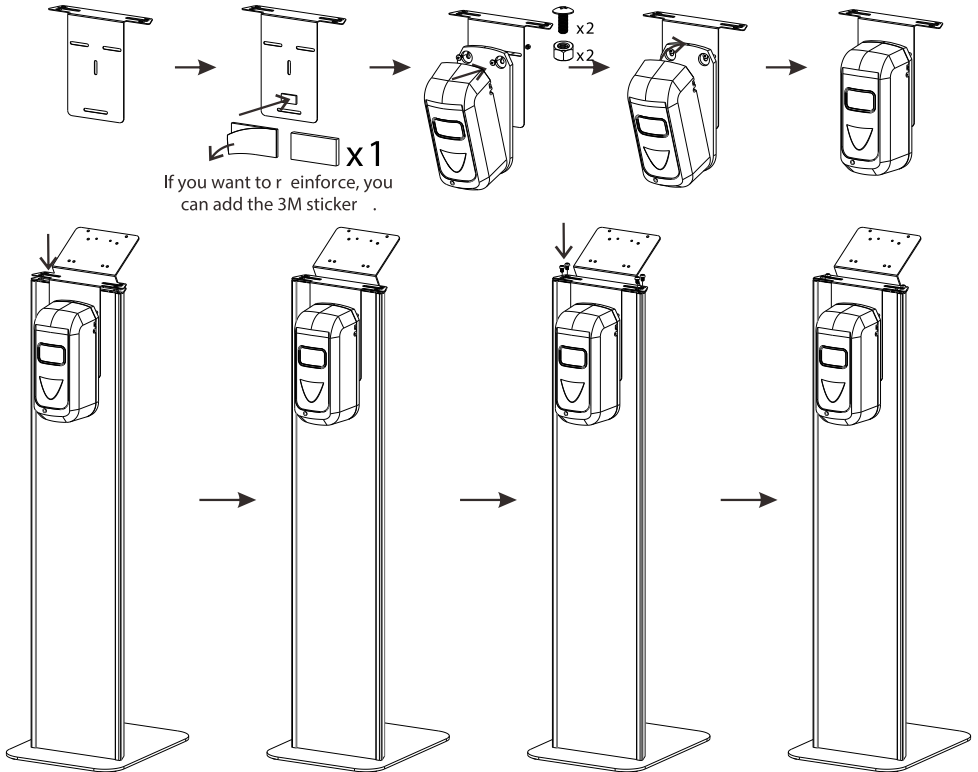
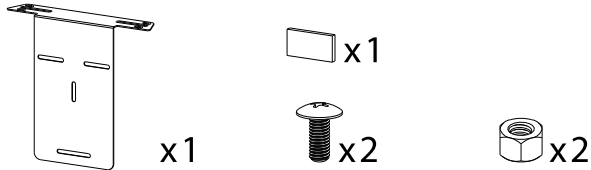


PARAF2 - Soap Dispenser Holder (Black/White)

INSTRUCTION MANUAL

ADD-P2SPB / ADD-P2SPW

Component Checklist

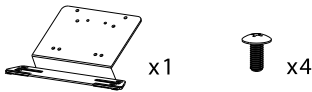




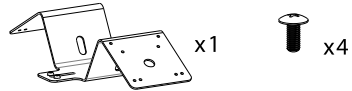
Single & Double Enclosure Holder for ADD-PARAFS/ADD-PARAFS2W (Black/White)

INSTRUCTION MANUAL

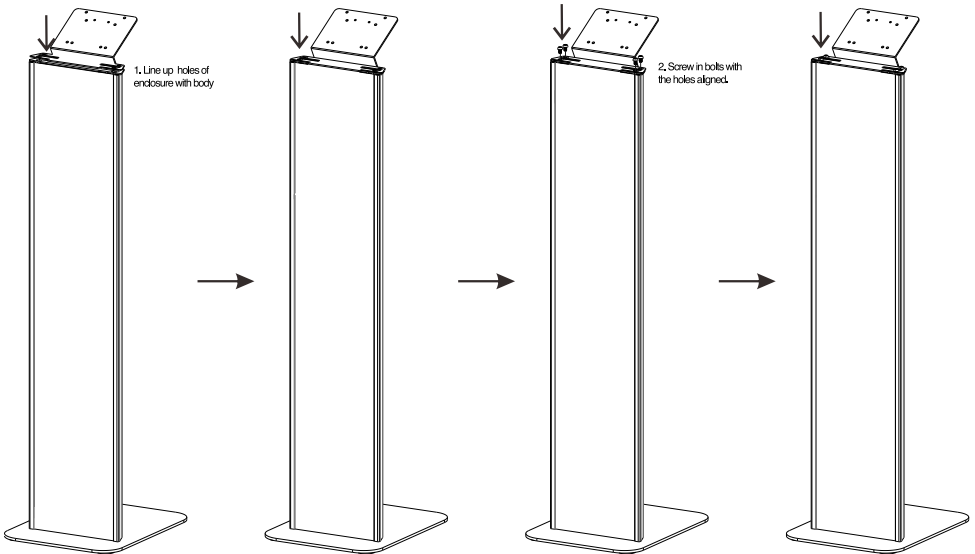
ADD-PSB / ADD-PSW Component Checklist



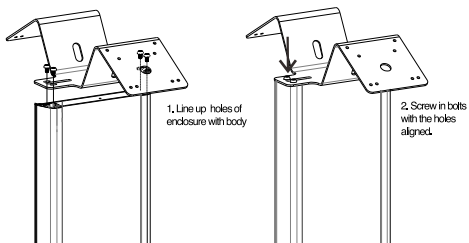
ADD-PDB / ADD-PDW Component Checklist



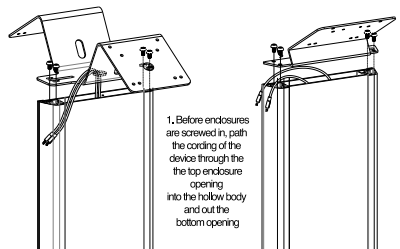
ADD-PSB & ADD-PSW Installation



ADD-PDB & ADD-PDW Installation



Cable Management for both single & double enclosures



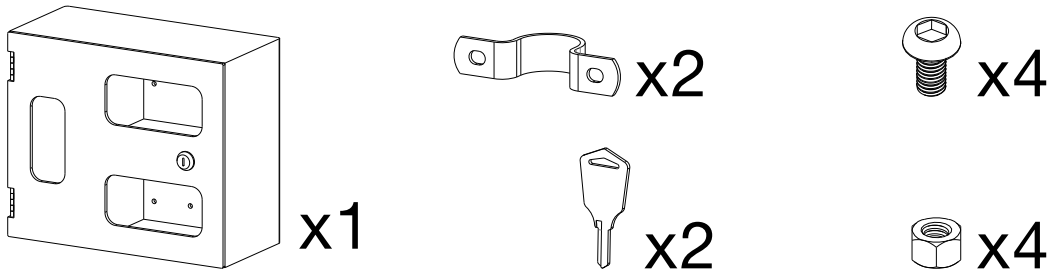


Security Acrylic Sanitizing Station

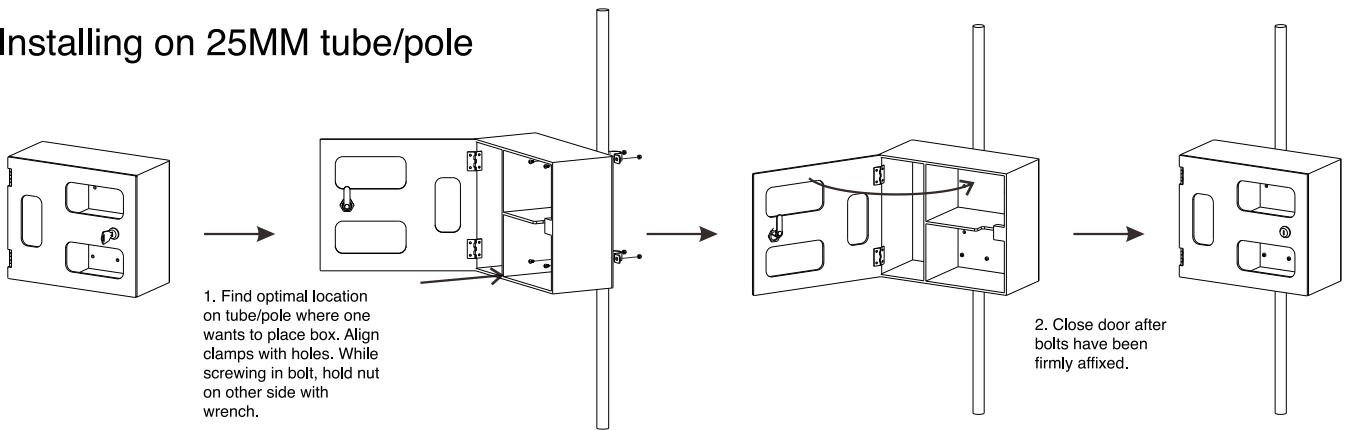
INSTRUCTION MANUAL

ADD-GLVBOX

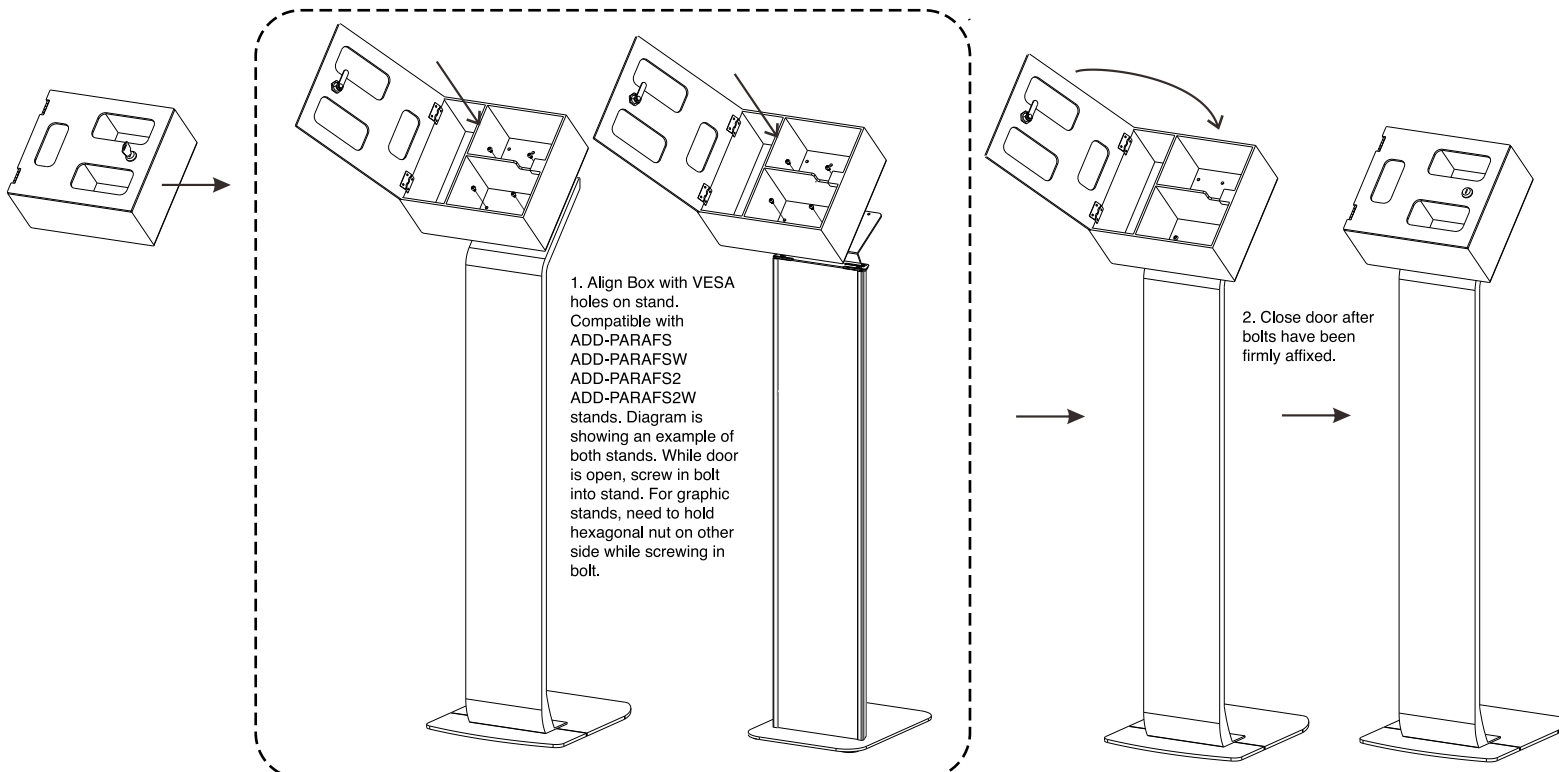
Component Checklist



Installing on 25MM tube/pole



Installing on a VESA 75x75 size

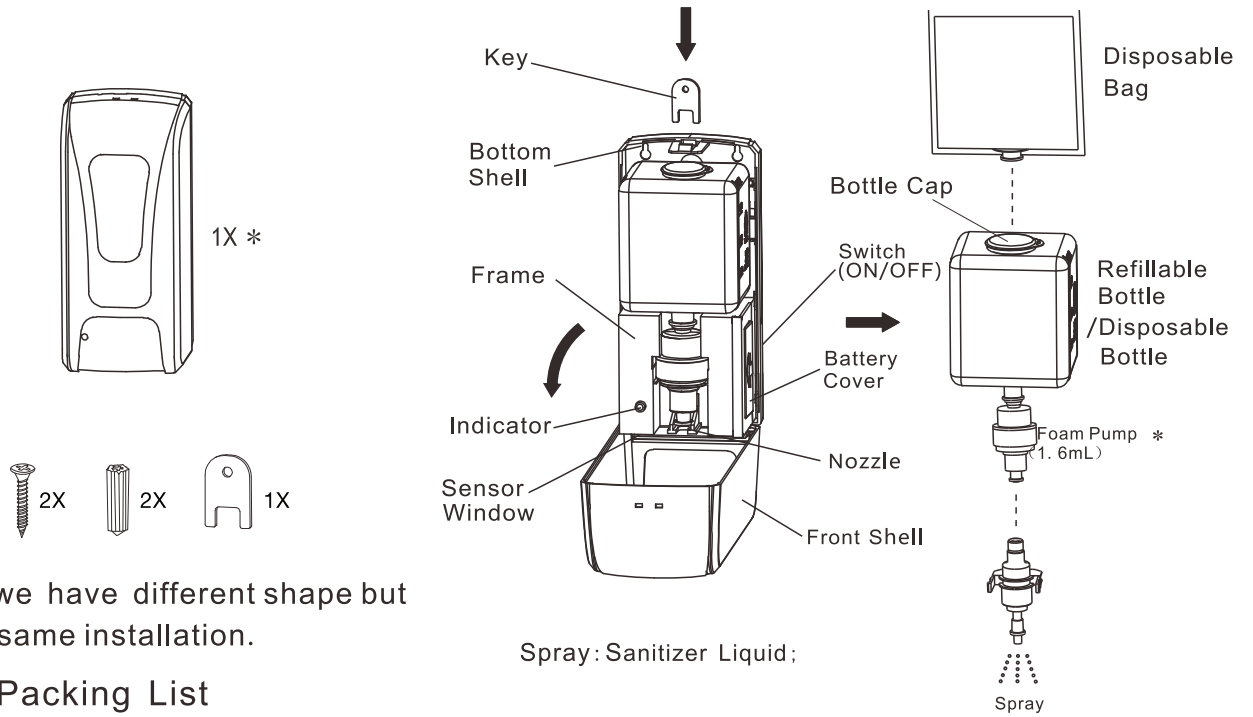




Automatic Hand Sanitizer Dispenser

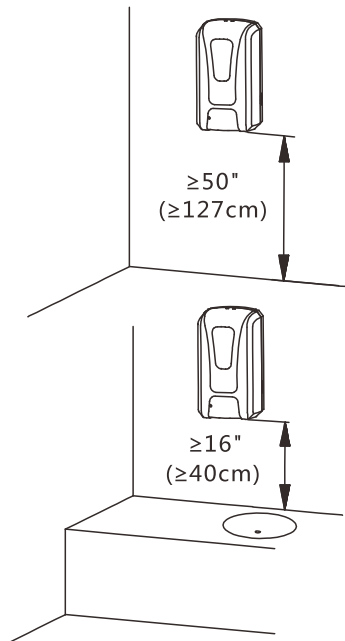
INSTRUCTION MANUAL

ADD-AUTOSP



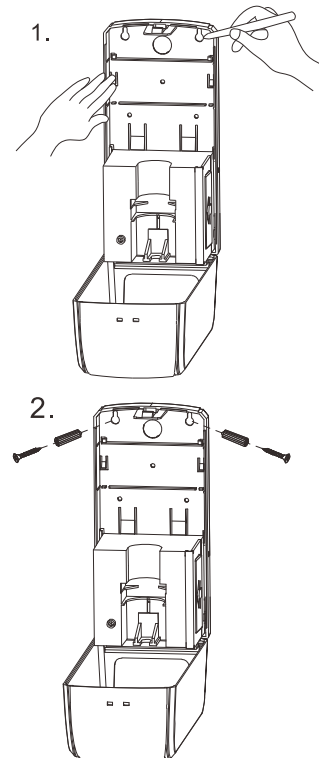
A Packing List

B Part Name

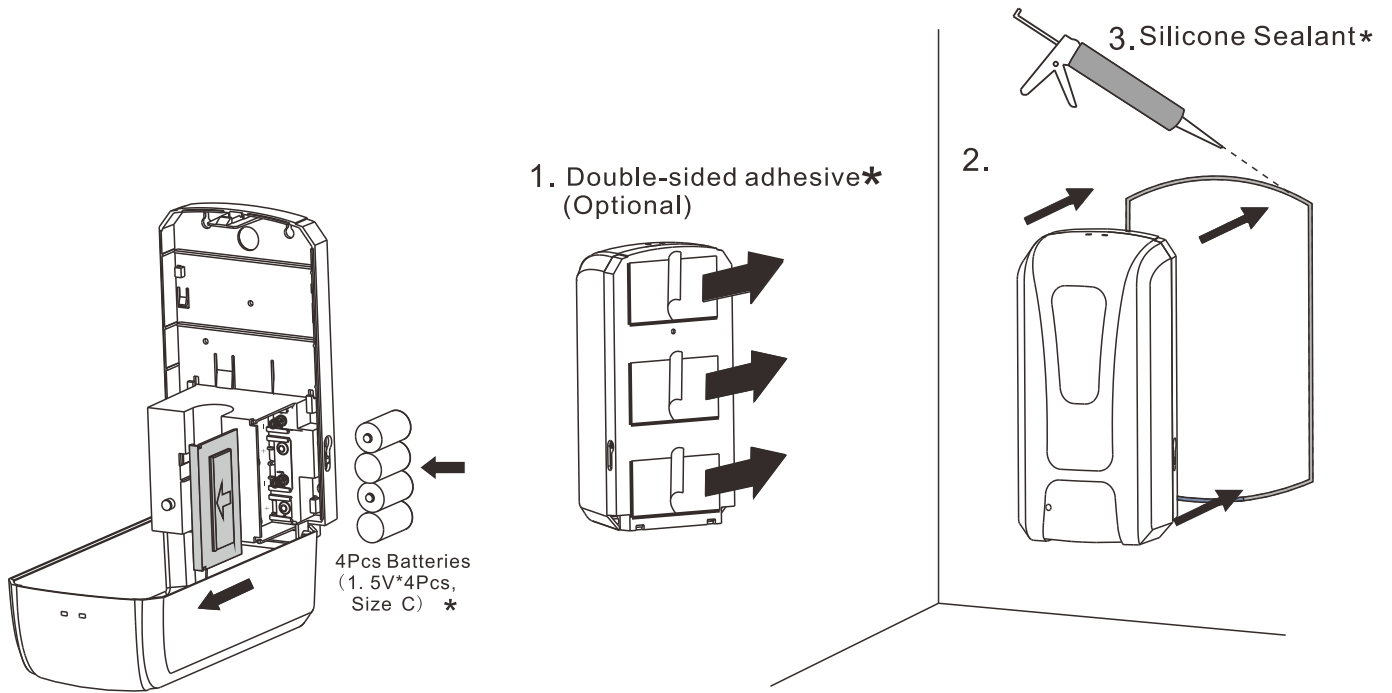


* keep away from sunshine and humid place

C Height from Floor/Table



D Way for Screw



* The Standard Packing is not including and Batteries

* The standard Packing is not including Double-sided adhesive and Silicone sealant

E Install Batteries

F Installation with Adhesive Backing (no screws)

