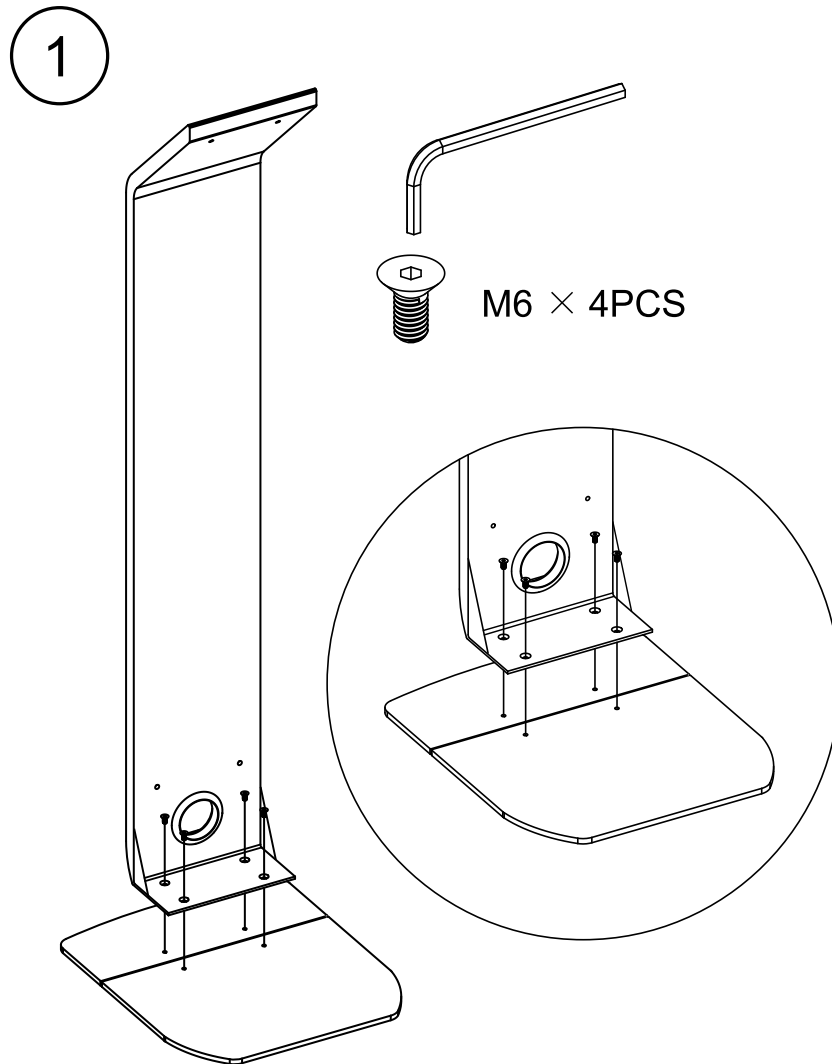




Premium Locking Sanitizing Station Stand

INSTRUCTION MANUAL

ADD-PARAFS/ADD-PARAFSW



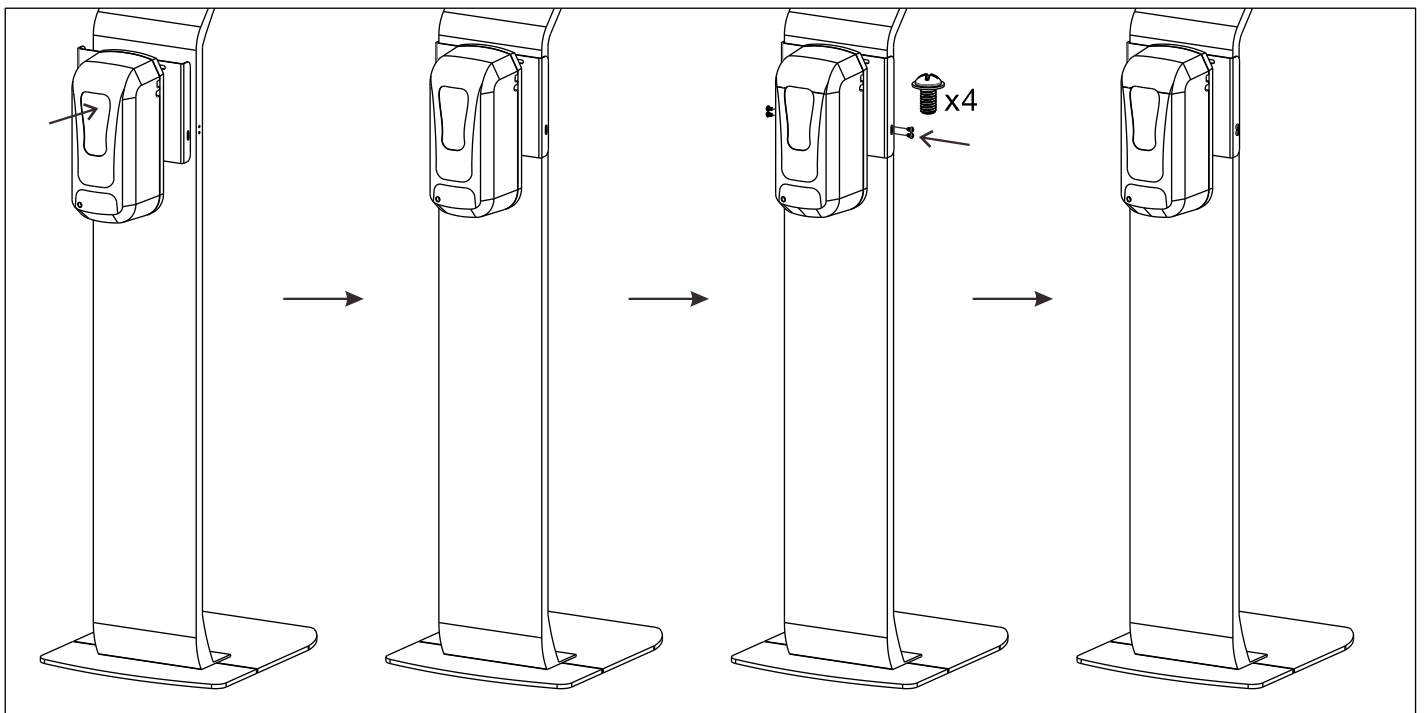
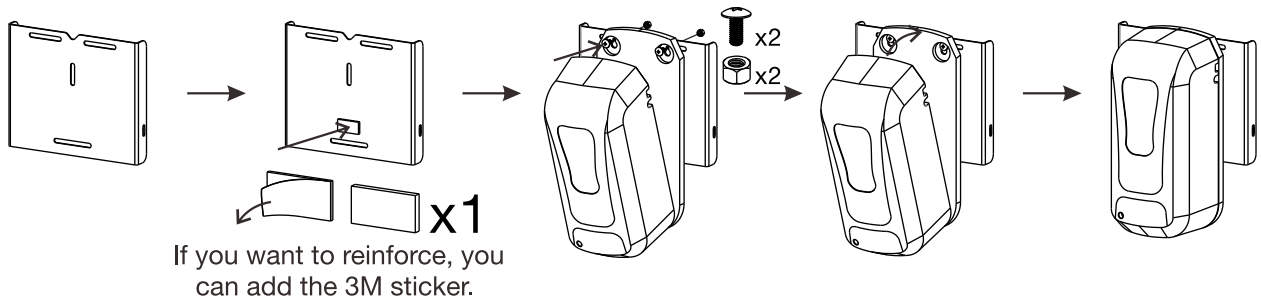
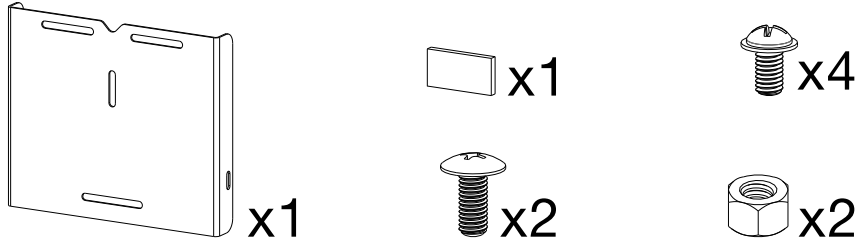


Soap Dispenser Holder for PAD-PARAF (Black/White)

INSTRUCTION MANUAL

ADD-PSPB / ADD-PSPW

Component Checklist

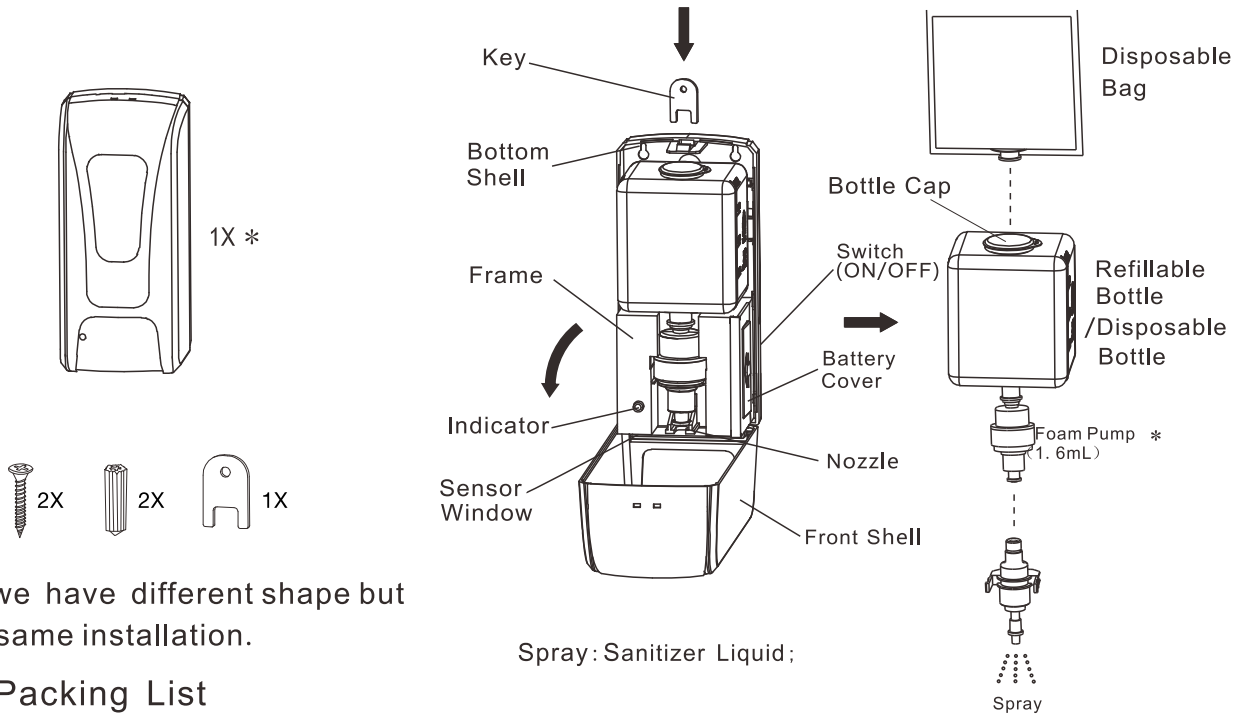




Automatic Hand Sanitizer Dispenser

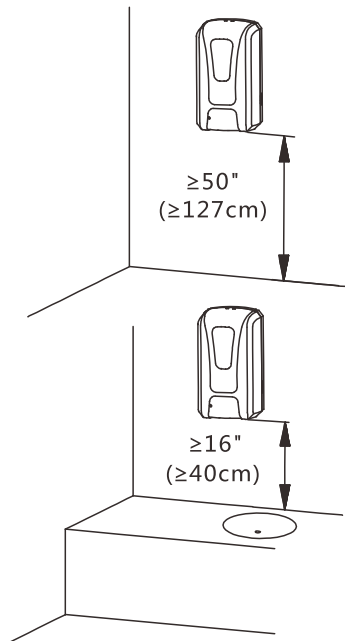
INSTRUCTION MANUAL

ADD-AUTOSP



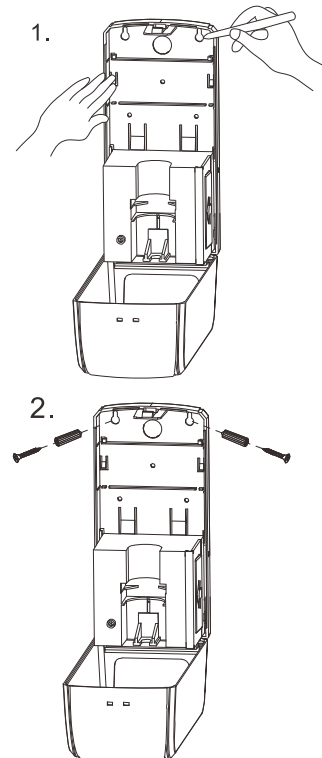
A Packing List

B Part Name

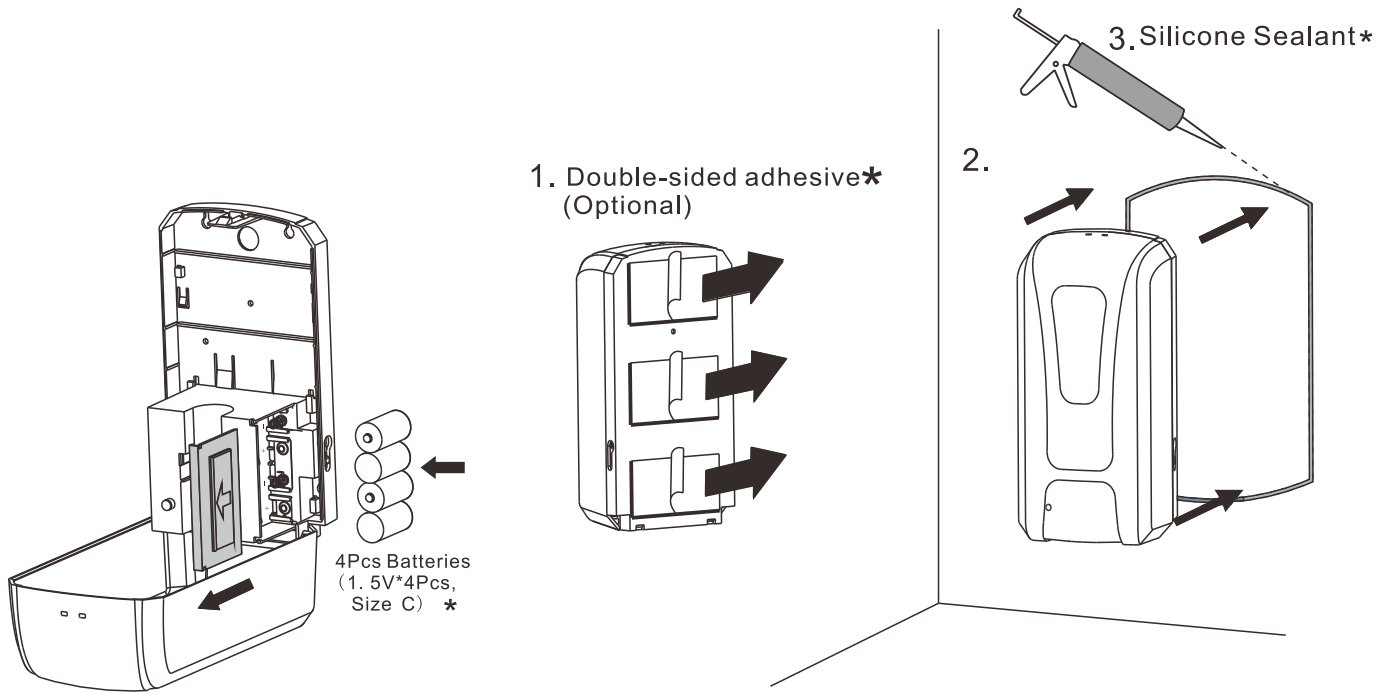


* keep away from sunshine and humid place

C Height from Floor/Table



D Way for Screw

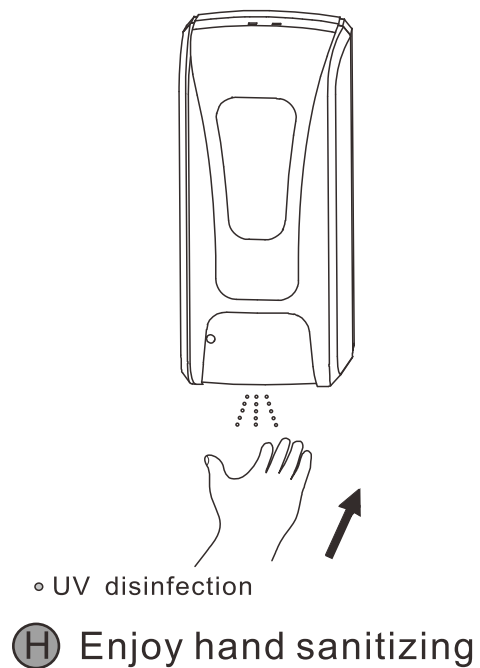
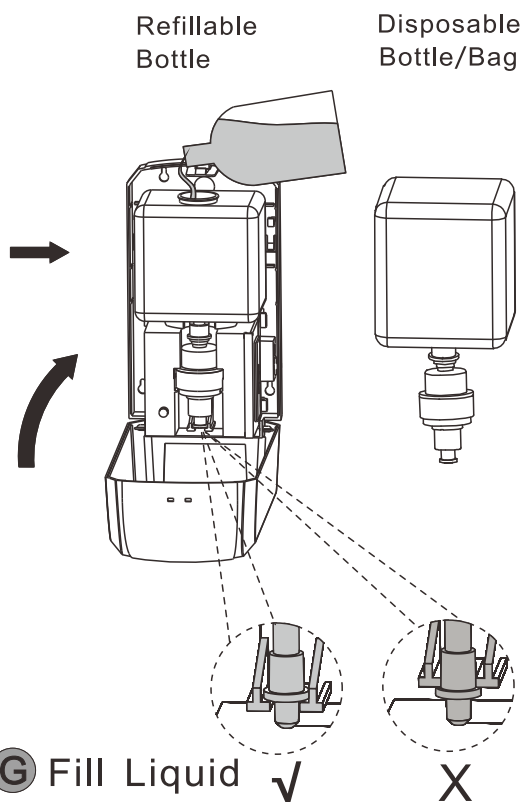


* The Standard Packing is not including and Batteries

* The standard Packing is not including Double-sided adhesive and Silicone sealant

E Install Batteries

F Installation with Adhesive Backing (no screws)



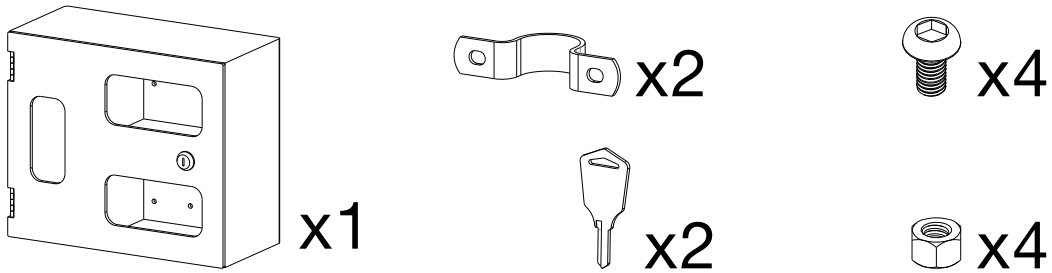


Security Acrylic Sanitizing Station

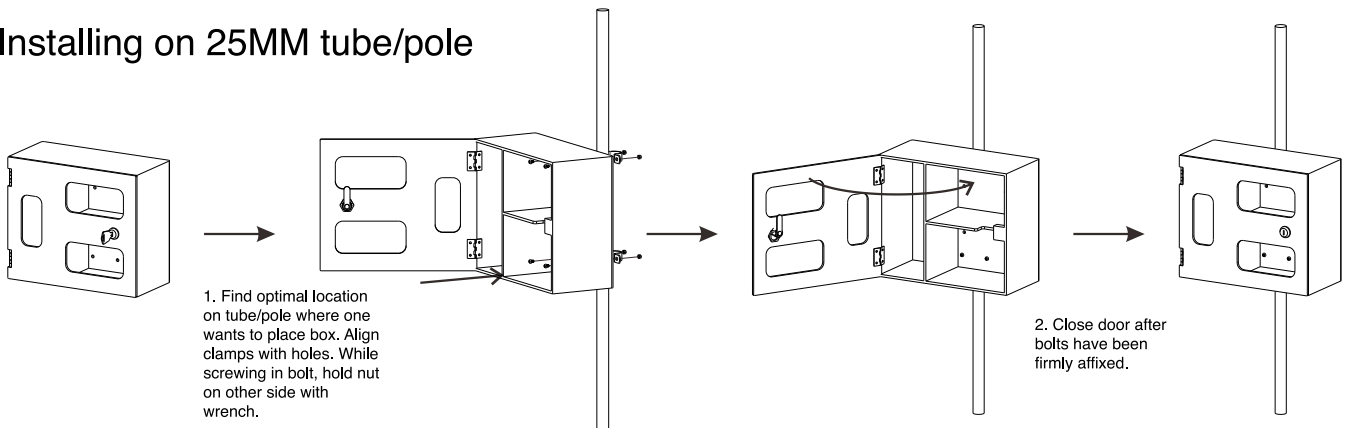
INSTRUCTION MANUAL

ADD-GLVBOX

Component Checklist



Installing on 25MM tube/pole



Installing on a VESA 75x75 size

