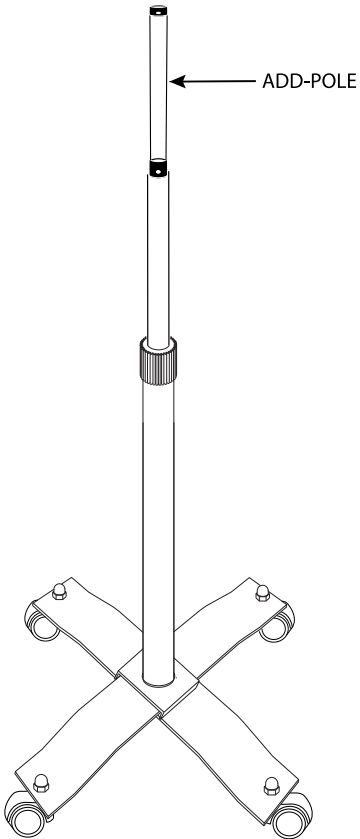




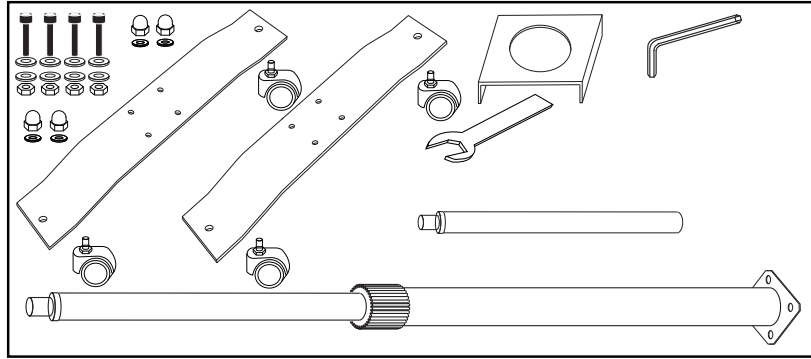
Compact Mobile Stand & Connecting Pole Add-on

INSTRUCTION MANUAL

ADD-CGS & ADD-POLE



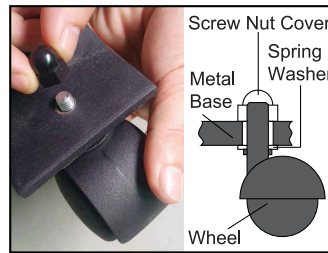
Package Contents:



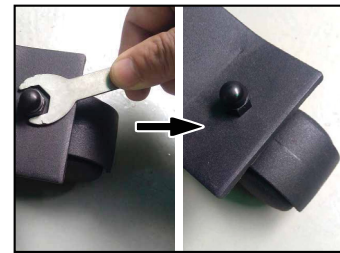
1. Installing the Wheels



Place a spring washer over the screw bolt on the wheel.

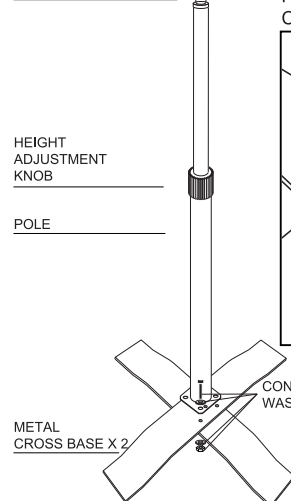


Place the screw bolt from each wheel through the metal base, then place a nut cover over the top of each. Screw down clockwise by hand, then use wrench to tighten

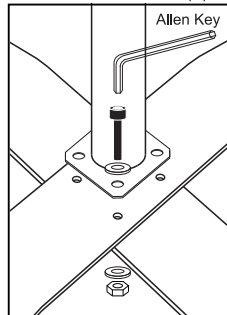


2. Base Assembly and Connecting the Metal Cover:

METAL CONNECTION



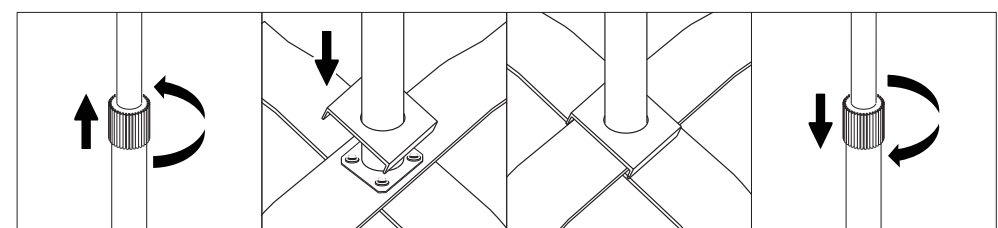
Pole Assembly and Pole Nut Cross Base Sections (2)



- 1) Place the metal base pieces with the higher piece on top of the cross base. Align the holes at the bottom of the pole with the holes on the cross base.
- 2) Insert a screw bolt with a washer into each of 4 holes. Place another washer on the underside of each screw bolts.
- 3) Grip the nut on the underside with one hand, and use the other to tighten each screw with the Allen key. Repeat to tighten all four screw bolts.

METAL CROSS BASE X 2

CONNECTION SCREW BOLT, WASHERS AND NUT



4. Rotate the grip counter clockwise to loosen completely and remove from top of pole.

5. Place the square metal cover over the top of the pole and slide down to stand base.

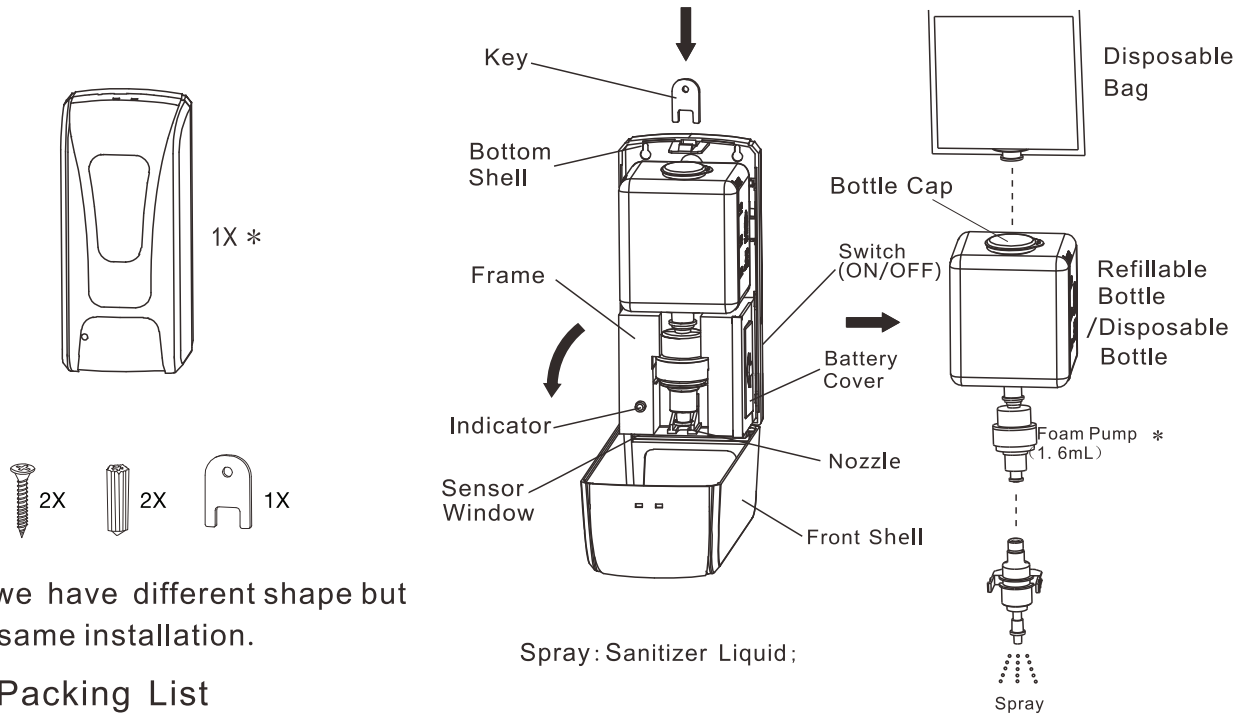
6. Place grip back over stand pole and tighten.



Automatic Hand Sanitizer Dispenser

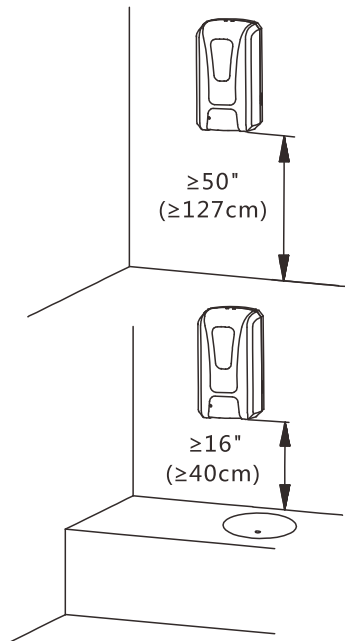
INSTRUCTION MANUAL

ADD-AUTOSP



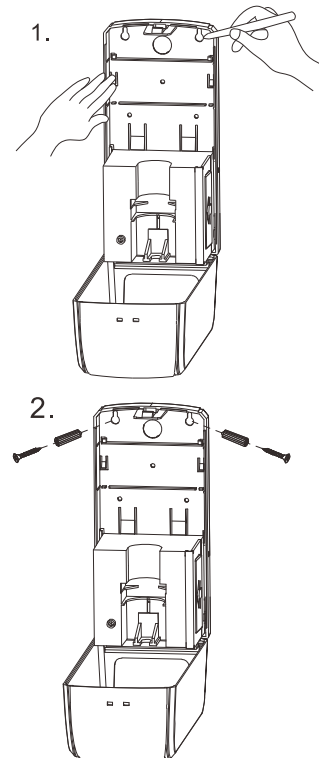
A Packing List

B Part Name

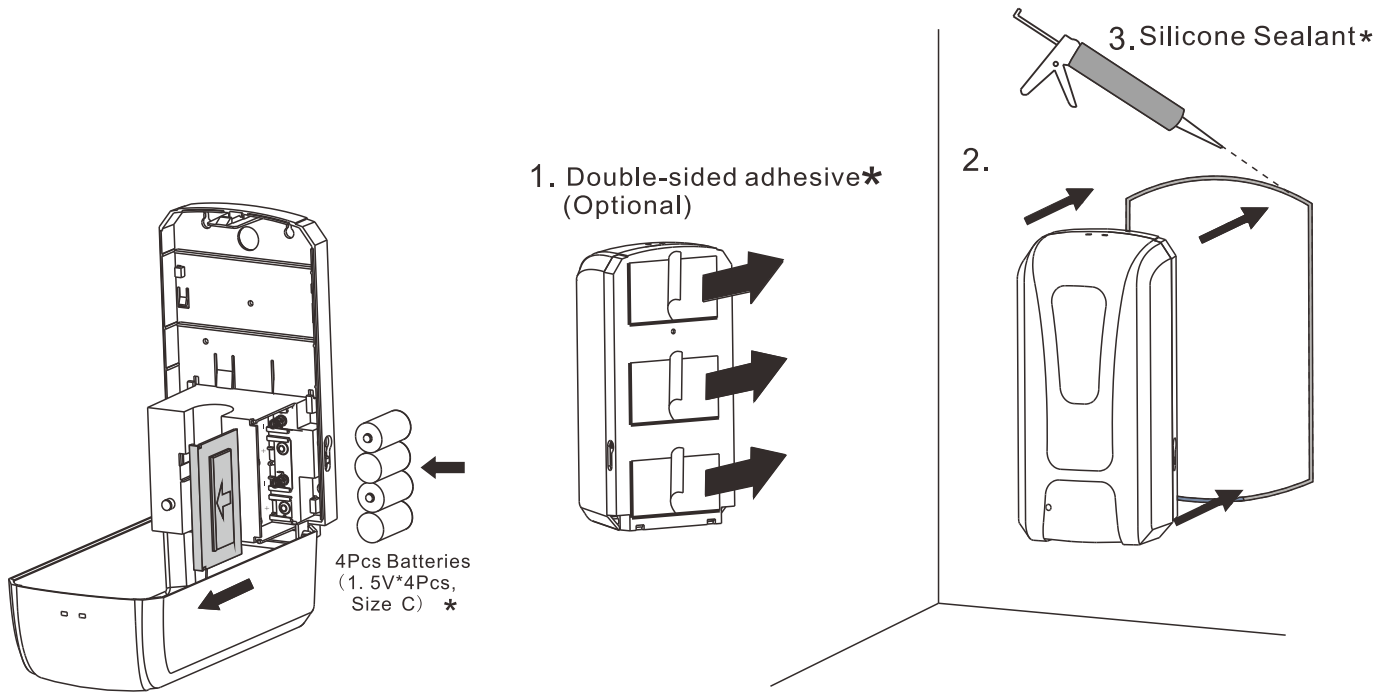


* keep away from sunshine and humid place

C Height from Floor/Table



D Way for Screw

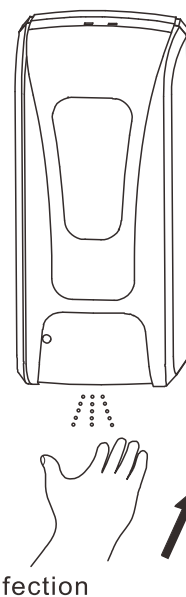
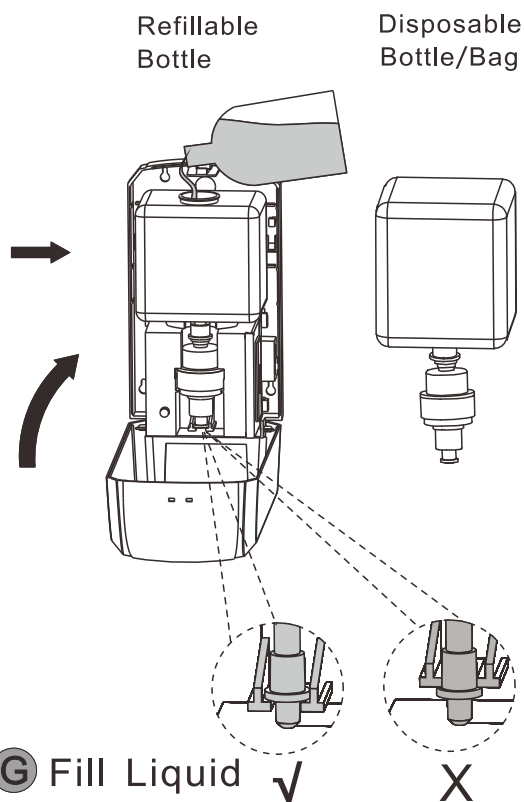


* The Standard Packing is not including and Batteries

* The standard Packing is not including Double-sided adhesive and Silicone sealant

E Install Batteries

F Installation with Adhesive Backing (no screws)



H Enjoy hand sanitizing

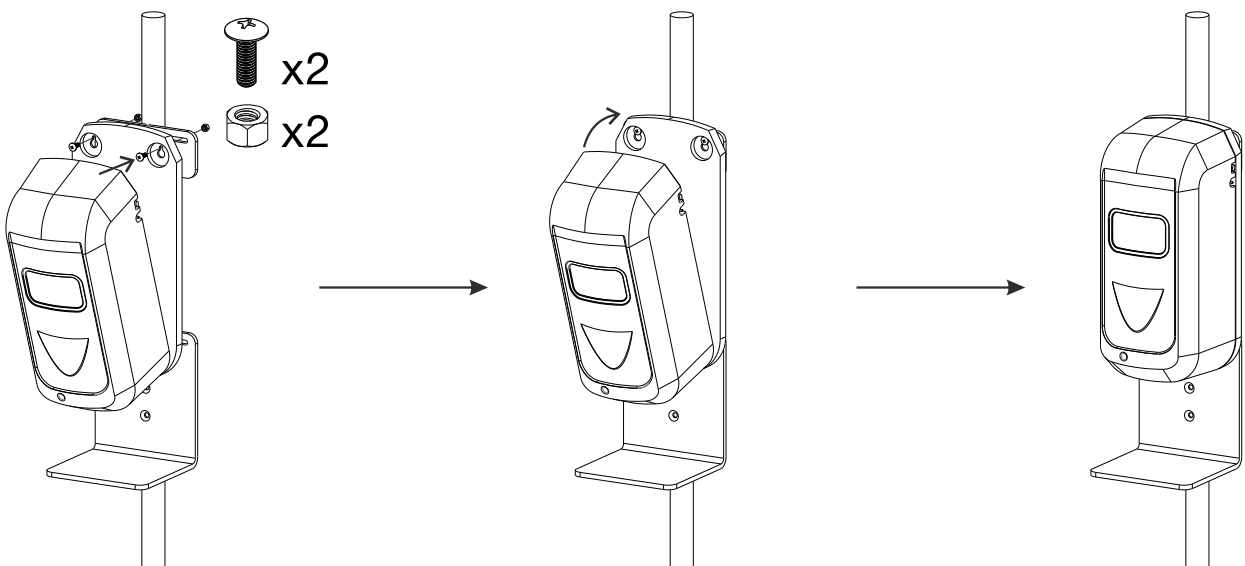
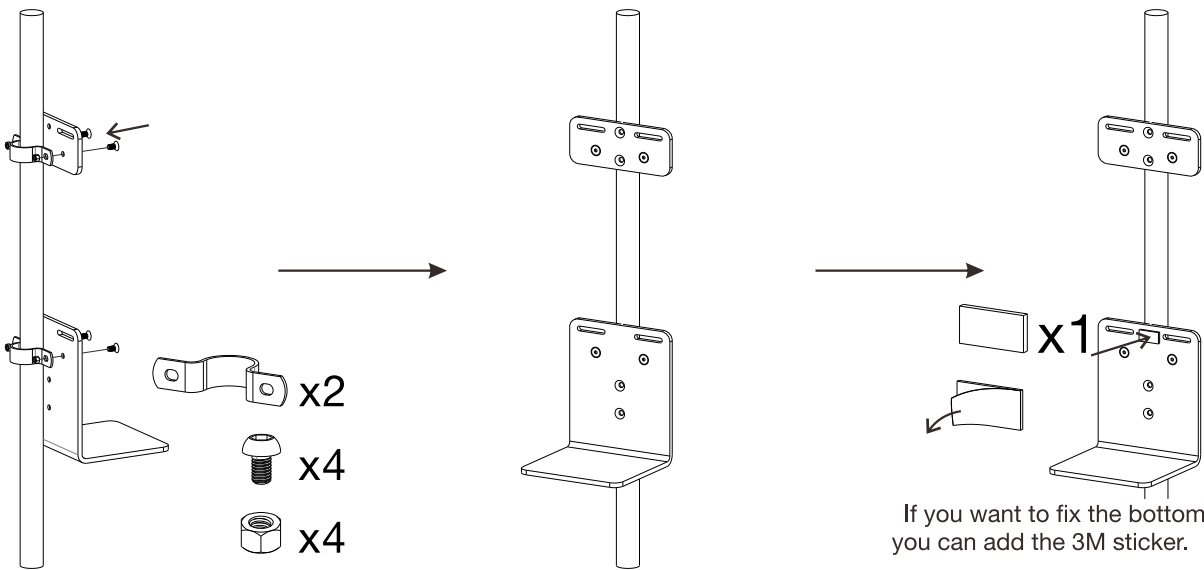
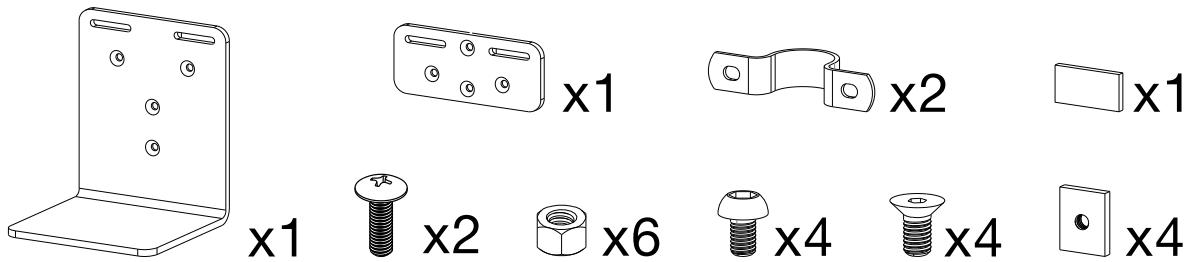


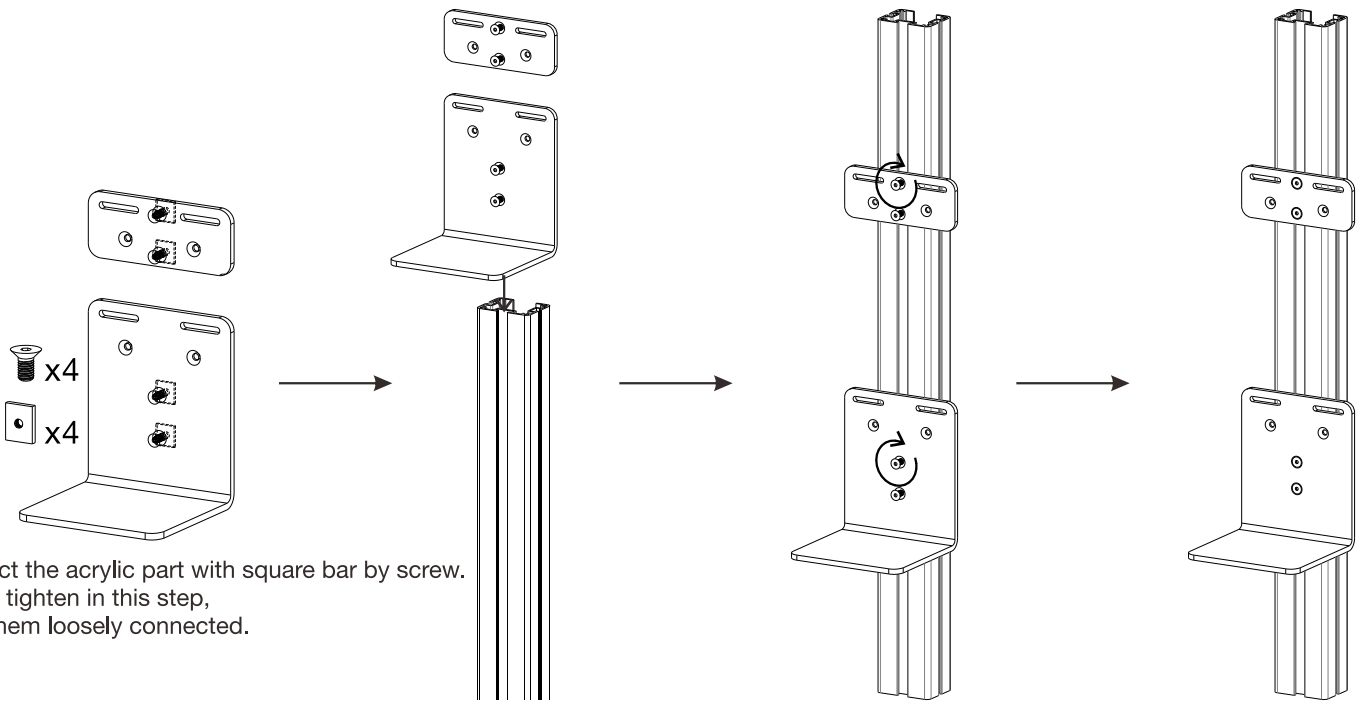
Universal Acrylic Soap Dispenser Holder

INSTRUCTION MANUAL

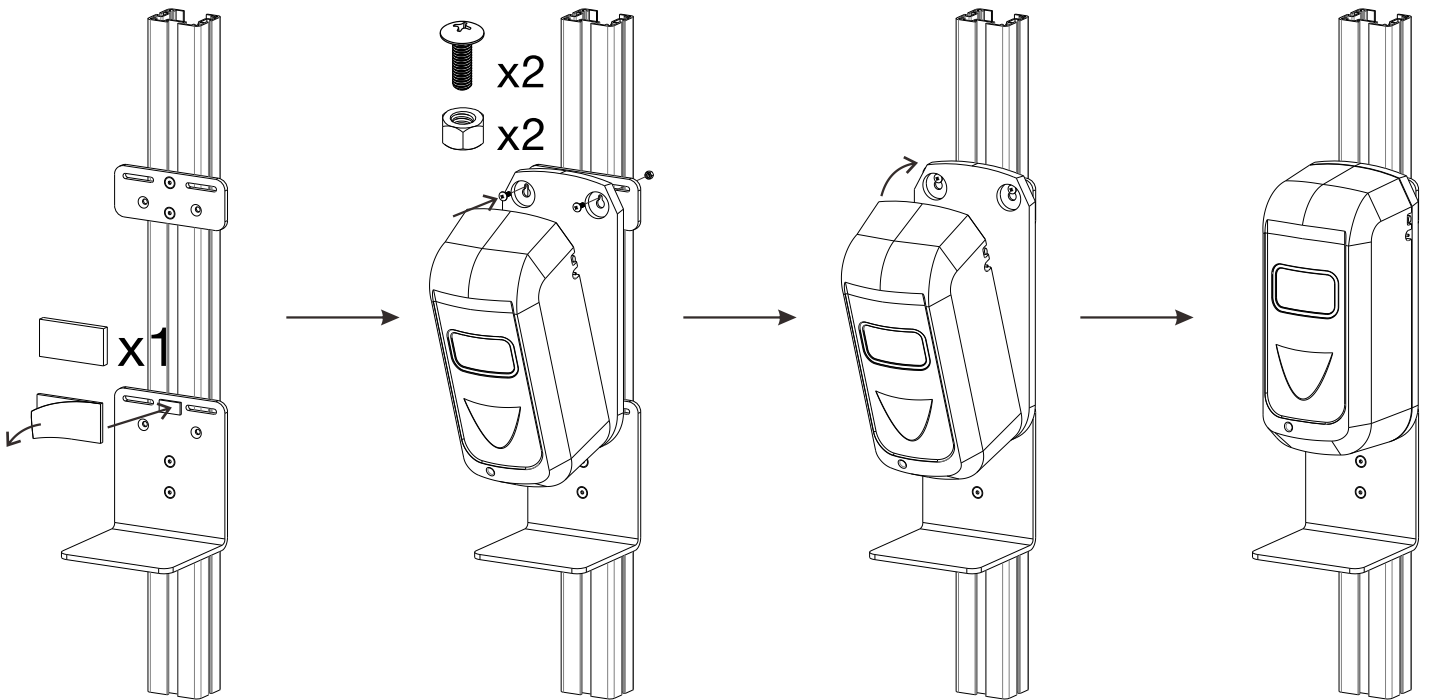
ADD-ASDH

Component Checklist





Connect the acrylic part with square bar by screw.
Do not tighten in this step,
keep them loosely connected.



If you want to fix the bottom as well,
you can add the 3M sticker.