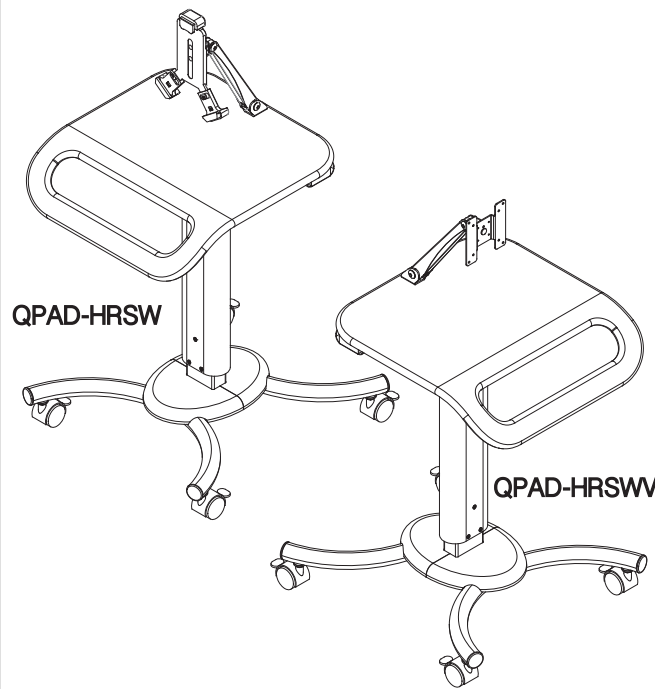
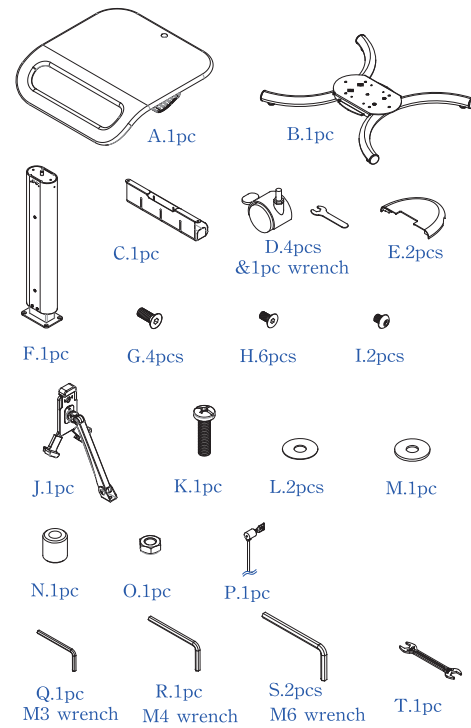




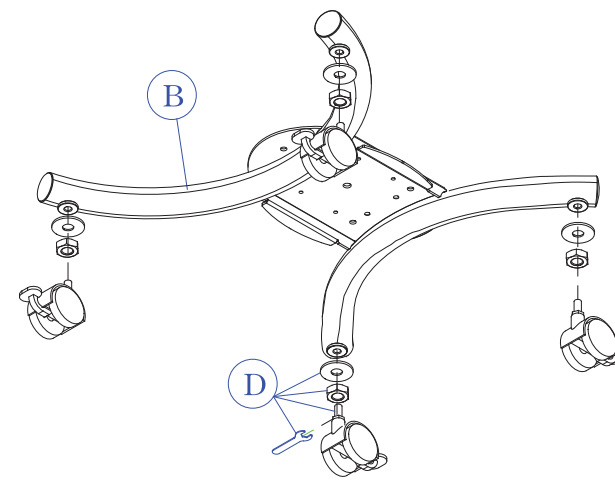
Height-Adjustable Rolling Security Workstation Cart  
QPAD-HRSW / QPAD-HRSWV



### Package Contents

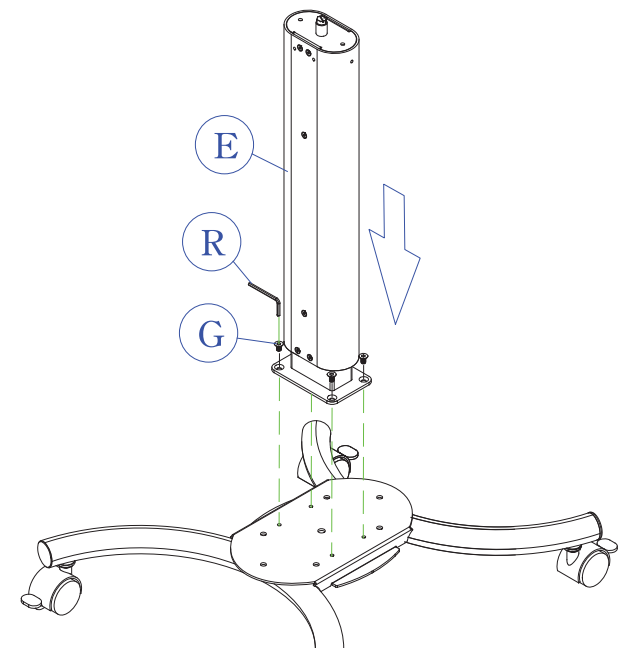


### 1. Setting up the Base



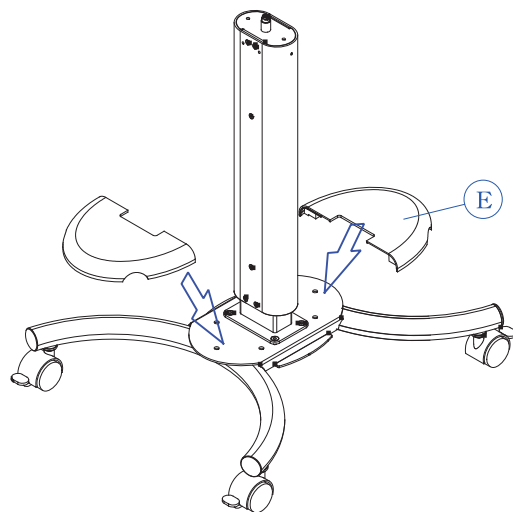
1A. Take the base (B) and insert all the wheels (D) with all the components that comes with the wheels in that specific order as illustrated. Then using the provided tool (D), rotate at the connection until securely fastened.

### 2. Assembling Body to Base



2A. Take the now assembled base with wheels, and align holes of the body bottom (F) to the plate of the base top side as shown. Using the provided tool (R), rotate in screws (G) until securely fastened.

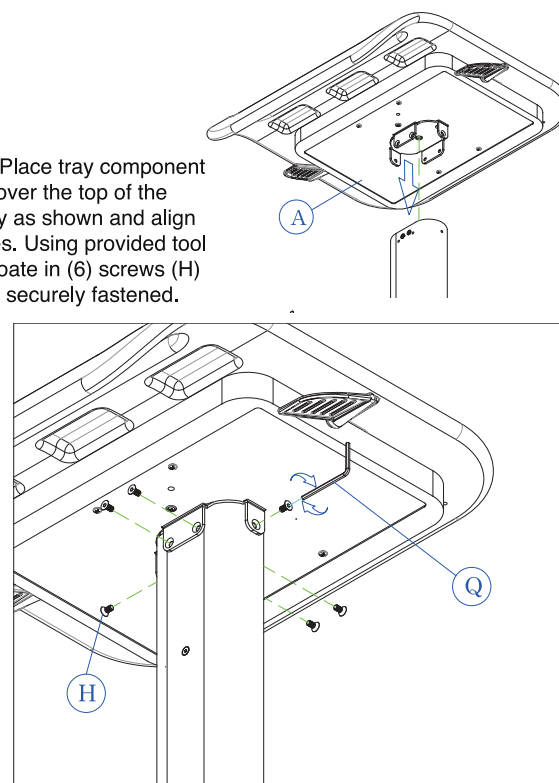
### 3. Attaching Base Cover



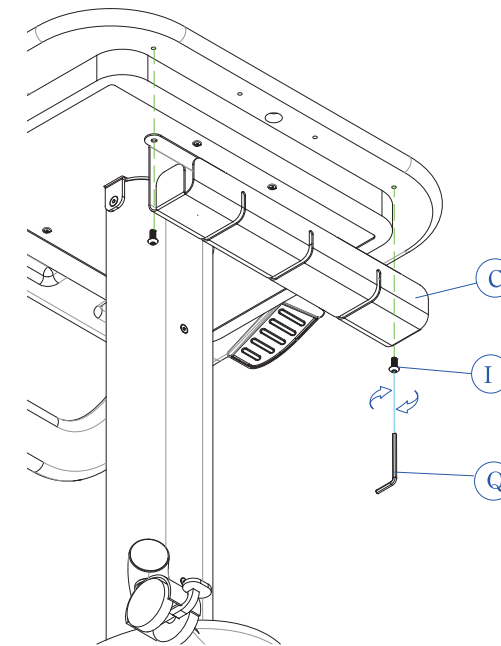
3A. Find the (2) base covers (E) and bring them together as illustrated

### 4. Attaching Tray Component

4A. Place tray component (A) over the top of the body as shown and align holes. Using provided tool Q, rotate in (6) screws (H) until securely fastened.

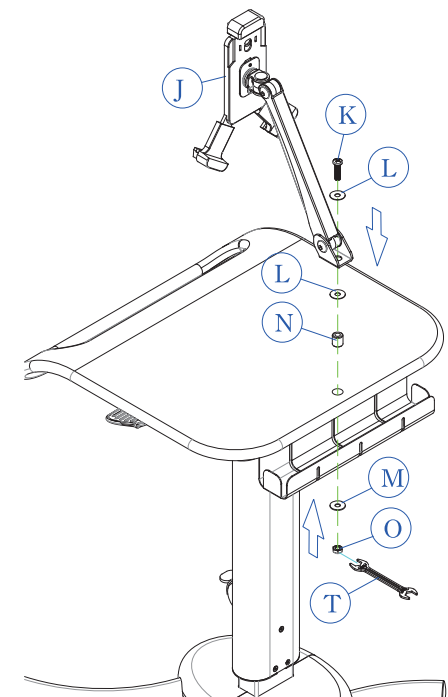


### 5. Attaching Storage Component



5A. Take the storage component (C) as illustrated, and from beneath the tray, align the holes as shown. Using provided tool (Q), rotate in (2) screws (I) at the locations shown until securely fastened.

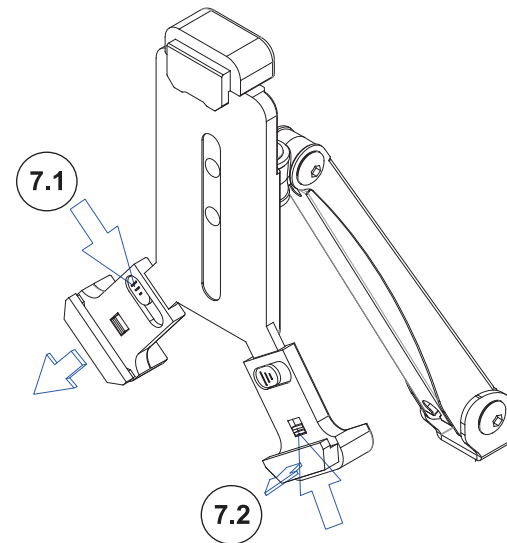
### 6. Setting up Tri-Grip Holder and Arm



6A. Take the attached tri-grip holder and arm and align the base hole with all of the shown components and in that configuration. While using provided tool (T), hold the hex nut with one hand, and using screwdriver (not provided) rotate in screw (K) until securely fastened.

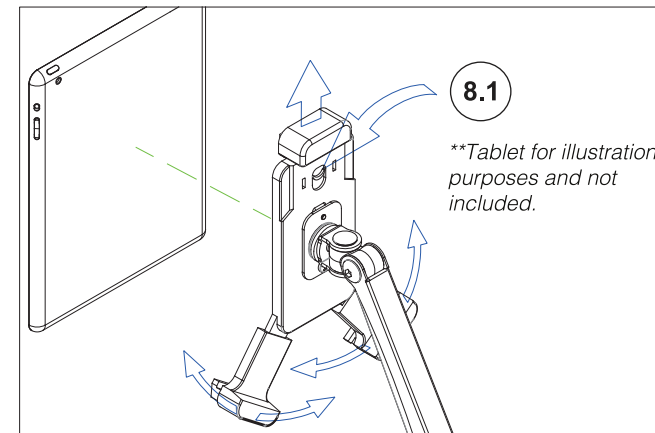


## 7. Adjusting the (2) Bottom Holder Arms and Adjusting for Device Thickness



7A. Identify the switches on the holder (7.1 and 7.2). Pressing switch 7.1 allows you to extend the holder arms to match the device size bottom corners. Pressing switch 7.2 allows you to adjust to the thickness of the device. Make sure to retract for any space so it's a secure and tight fit.

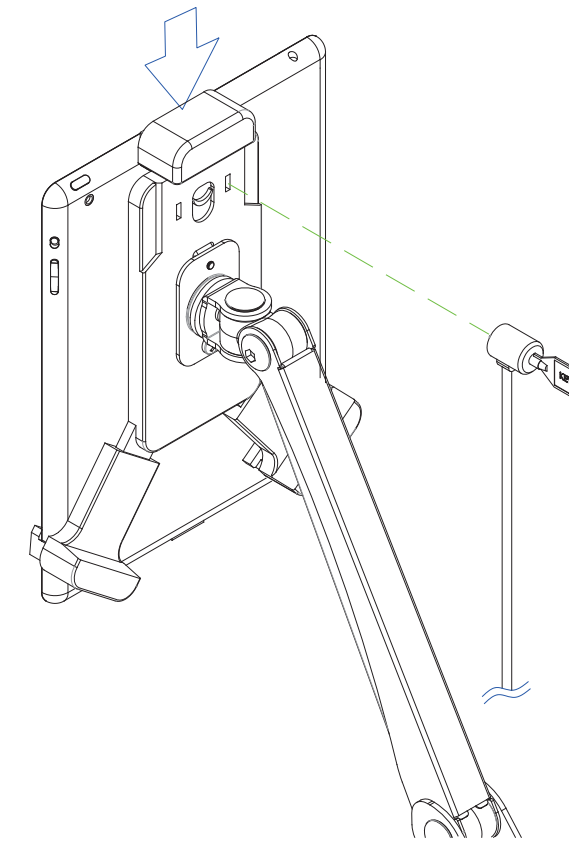
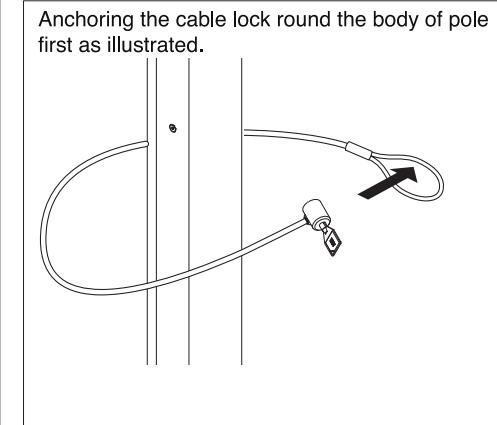
## 8. Adjusting Top Holder Arm



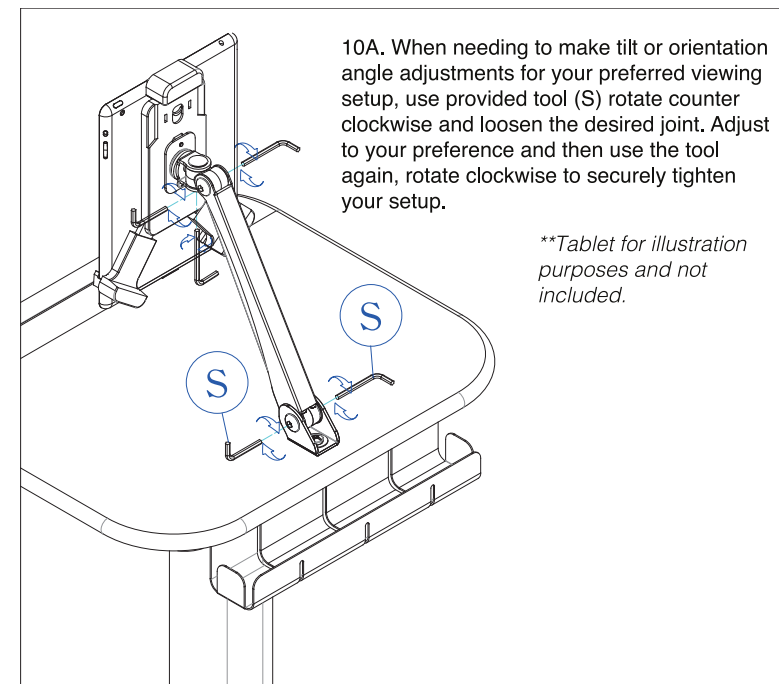
8A. Press the switch (8.1) to allow the top holder arm to adjust as needed. You should stretch it to max distance. Then place your device in and first make sure the two bottom corners of device are in the bottom two holder arms and securely setup as shown in step 7. Then push the top holder arm and retract back to the top edge of the device for a comfortable and secure fit.

## 9. Setting up the Cable Lock

9A. Once the tablet is securely inserted into the trip grip holder, you can then use the cable lock. First anchor one end of the cable lock around the body of the pole. Loop it around the body and pull through the cable lock loop end as shown below. After looping your cable lock, identify the cable lock hole on the back of the tri-grip holder. Using the lock and key side of the cable lock, insert into the hole and turn the key, then remove key, to secure the cable lock to your holder for an anti-theft setup.

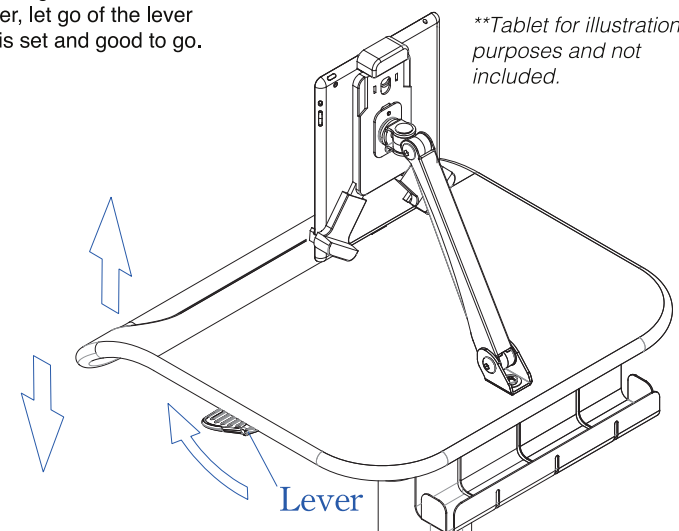


## 10. Making Adjustments to Joints



## 11. Adjusting the Height

11A. When needing to adjust the height, first identify the lever below the tray. Pull up on the lever and while holding, lift up or push down on the tray to adjust the height up or down to desired height. Once desired height is achieved, let go of the lever and everything is set and good to go.



## 12. Setting up Cable Routing

12A. Detach the arm tray as illustrated. Fish the device cable (not included) beneath the arm and then re-attach the tray holding the cords along the arm.

\*\*Tablet for illustration purposes and not included.

